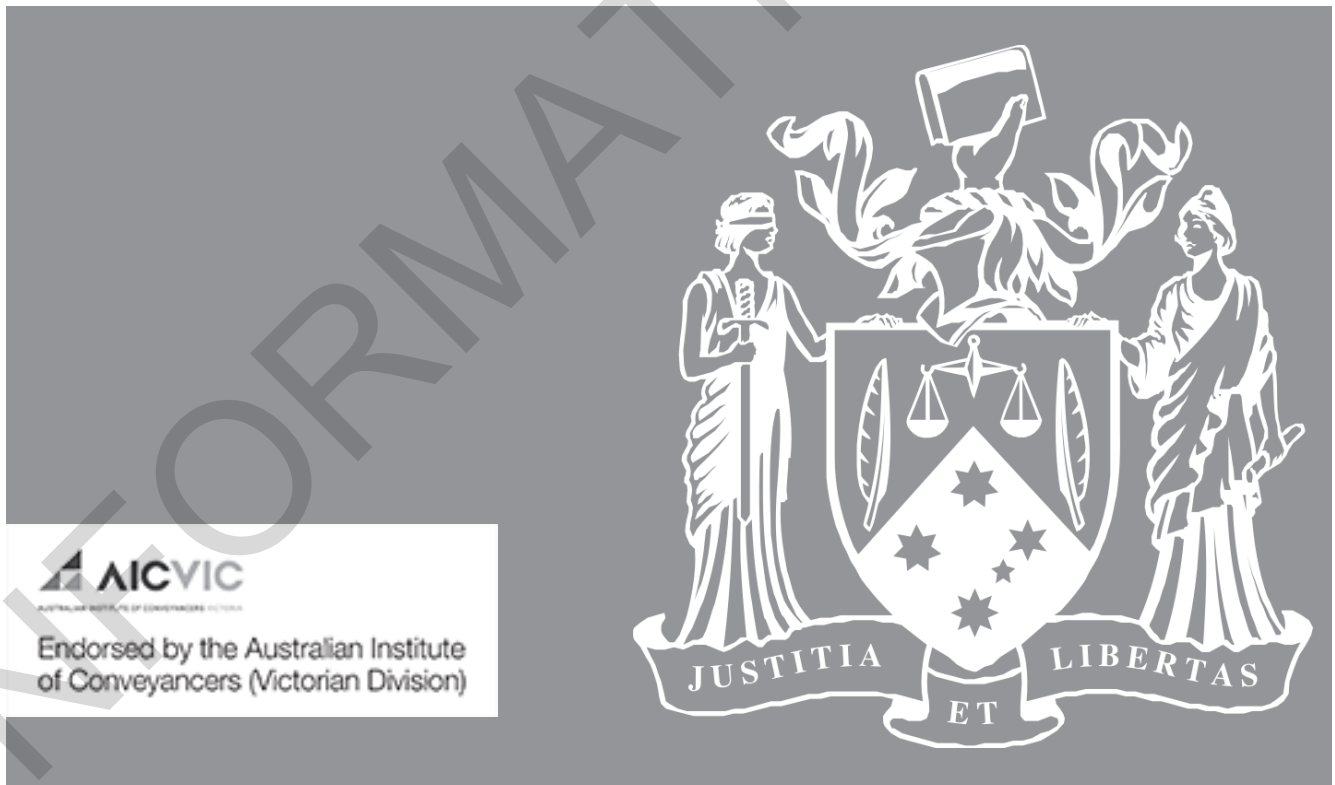




Contract of Sale of Land

Property: 1 BARHAM WAY, WOLLERT, VIC, 3750

© Copyright September 2025



Endorsed by the Australian Institute of Conveyancers (Victorian Division)

Contract of sale of land

© Copyright September 2025

IMPORTANT NOTICE TO PURCHASERS – COOLING-OFF

Cooling-off period (Section 31 of the *Sale of Land Act 1962*)

You may end this contract within 3 clear business days of the day that you sign the contract if none of the exceptions listed below applies to you.

You must either give the vendor or the vendor's agent **written** notice that you are ending the contract or leave the notice at the address of the vendor or the vendor's agent to end this contract within this time in accordance with this cooling-off provision.

You are entitled to a refund of all the money you paid EXCEPT for \$100 or 0.2% of the purchase price (whichever is more) if you end the contract in this way.

EXCEPTIONS: the 3-day cooling-off period does not apply if:

- you bought the property at a publicly advertised auction or on the day on which the auction was held; or
- you bought the land within 3 clear business days before a publicly advertised auction was to be held; or
- you bought the land within 3 clear business days after a publicly advertised auction was held; or
- the property is used primarily for industrial or commercial purposes; or
- the property is more than 20 hectares in size and is used primarily for farming; or
- you and the vendor previously signed a contract for the sale of the same land in substantially the same terms; or
- you are an estate agent or a corporate body.

NOTICE TO PURCHASERS OF PROPERTY OFF-THE-PLAN

Off-the-plan sales (Section 9AA(1A) of the *Sale of Land Act 1962*)

You may negotiate with the vendor about the amount of the deposit moneys payable under the contract of sale, up to 10 per cent of the purchase price.

A substantial period of time may elapse between the day on which you sign the contract of sale and the day on which you become the registered proprietor of the lot.

The value of the lot may change between the day on which you sign the contract of sale of that lot and the day on which you become the registered proprietor

Approval

This contract is approved as a standard form of contract under section 53A of the *Estate Agents Act 1980* by the Law Institute of Victoria Limited. The Law Institute of Victoria Limited is authorised to approve this form under the *Legal Profession Uniform Law Application Act 2014*.

Copyright

This document is published by the Law Institute of Victoria Limited and the Real Estate Institute of Victoria Ltd and is copyright. It may only be reproduced in accordance with an agreement with the Law Institute of Victoria Limited and the Real Estate Institute of Victoria Ltd for each specific transaction that is authorised. Any person who has purchased a paper copy of this document may only copy it for the purpose of documenting a specific transaction for the sale of a particular property.

Disclaimer

This document is a precedent intended for users with the knowledge, skill and qualifications required to use the precedent to create a document suitable for the transaction.

Like all precedent documents it does not attempt and cannot attempt to include all relevant issues or include all aspects of law or changes to the law. Users should check for any updates including changes in the law and ensure that their particular facts and circumstances are appropriately incorporated into the document to achieve the intended use.

To the maximum extent permitted by law, the Law Institute of Victoria Limited and the Real Estate Institute of Victoria Ltd and their respective contractors and agents are not liable in any way for any loss or damage (including special, indirect or consequential loss and including loss of business profits), arising out of or in connection with this document or its use.

**WARNING TO ESTATE AGENTS
DO NOT USE THIS CONTRACT FOR SALES OF 'OFF THE PLAN' PROPERTIES
UNLESS IT HAS BEEN PREPARED BY A LEGAL PRACTITIONER**

© Copyright September 2025

Contract of Sale of Land

The vendor agrees to sell and the purchaser agrees to buy the property, being the land and the goods, for the price and on the terms set out in this contract.

The terms of this contract are contained in the –

- particulars of sale; and
- special conditions, if any; and
- general conditions (which are in standard form: see general condition 6.1)

in that order of priority.

SIGNING OF THIS CONTRACT

WARNING: THIS IS A LEGALLY BINDING CONTRACT. YOU SHOULD READ THIS CONTRACT BEFORE SIGNING IT.

Purchasers should ensure that they have received a section 32 statement from the vendor before signing this contract. In this contract, "section 32 statement" means the statement required to be given by a vendor under section 32 of the *Sale of Land Act 1962*.

The authority of a person signing –

- under power of attorney; or
 - as director of a corporation; or
 - as agent authorised in writing by one of the parties –
- must be noted beneath the signature.

Any person whose signature is secured by an estate agent acknowledges being given by the agent at the time of signing a copy of the terms of this contract.

SIGNED BY THE PURCHASER:

WHERE SIGNATORY IS AN INDIVIDUAL

SIGNED on/...../.....

for and on behalf of:

.....
Name of individual

.....
Signature of individual

State nature of authority (if applicable):

WHERE SIGNATORY IS AN INDIVIDUAL

SIGNED on/...../.....

for and on behalf of:

.....
Name of individual

.....
Signature of individual

State nature of authority (if applicable):

WHERE SIGNATORY IS A COMPANY

EXECUTED by

ABN:
in accordance with the requirements of s.127
Corporations Act 2001 (Cth) by:

.....
Name of director

.....
Signature of director

.....
Name of director/secretary

.....
Signature of director/secretary

This offer will lapse unless accepted within clear business days (3 clear business days if none specified)
In this contract, "business day" has the same meaning as in section 30 of the *Sale of Land Act 1962* (Vic)

SIGNED BY THE VENDOR:

WHERE SIGNATORY IS AN INDIVIDUAL

SIGNED on/...../.....

for and on behalf of:

Alexandra Fraczak

.....
Name of individual

.....
Signature of individual

State nature of authority (if applicable):

SIGNED BY THE VENDOR:

WHERE SIGNATORY IS AN INDIVIDUAL

SIGNED on/...../.....

for and on behalf of:

Michael Anthony Fraczak

.....
Name of individual

.....
Signature of individual

State nature of authority (if applicable):

WHERE SIGNATORY IS A COMPANY

EXECUTED by

ABN:
in accordance with the requirements of s.127

Corporations Act 2001 (Cth) by:

.....
Name of director

.....
Signature of director

.....
Name of director/secretary

.....
Signature of director/secretary

The **DAY OF SALE** is the date by which both parties have signed this contract.

INFORMATION ONLY

Table of Contents

Particulars of sale

Special conditions

General conditions

1. ELECTRONIC SIGNATURE
2. LIABILITY OF SIGNATORY
3. GUARANTEE
4. NOMINEE
5. ENCUMBRANCES
6. VENDOR WARRANTIES
7. IDENTITY OF THE LAND
8. SERVICES
9. CONSENTS
10. TRANSFER AND DUTY
11. RELEASE OF SECURITY INTEREST
12. BUILDER WARRANTY INSURANCE
13. GENERAL LAW LAND
14. DEPOSIT
15. DEPOSIT BOND
16. BANK GUARANTEE
17. SETTLEMENT
18. ELECTRONIC SETTLEMENT
19. GST
20. LOAN
21. BUILDING REPORT
22. PEST REPORT
23. ADJUSTMENTS
24. FOREIGN RESIDENT CAPITAL GAINS WITHHOLDING
25. GST WITHHOLDING
26. TIME & CO-OPERATION
27. SERVICE
28. NOTICES
29. INSPECTION
30. TERMS CONTRACT
31. LOSS OR DAMAGE BEFORE SETTLEMENT
32. BREACH
33. INTEREST
34. DEFAULT NOTICE
35. DEFAULT NOT REMEDIED

Particulars of Sale

Vendor's estate agent

Name: Harcourts Rata & Co
Address: 1/337 Settlement Road Thomastown VIC 3074
Email: sold@rataandco.com.au
Tel: 9465 7766 Mob: _____ Fax: _____ Ref: _____

Vendor

Name: Alexandra Fraczak and Michael Anthony Fraczak
Address: _____
ABN/ACN: _____
Email: _____

Vendor's legal practitioner or conveyancer

Name: Marcus & Marcus
Address: 456 Lonsdale Street, Melbourne, VIC, 3000
Email: jmarcus@marcusandmarcus.com.au
Tel: (03) 7020 6533 Mob: _____ Fax: (03) 8692 8638 Ref: _____

Purchaser

Name: _____
Address: _____
ABN/ACN: _____
Email: _____

Purchaser's legal practitioner or conveyancer

Name: _____
Address: _____
Email: _____
Tel: _____ Mob: _____ Fax: _____ Ref: _____

Land (general conditions 7 and 13)

The land is described in the table below –

Certificate of Title reference	being lot	on plan
11863 350	434	PS738256X

If no title or plan references are recorded in the table, the land is as described in the section 32 statement or the register search statement and the document referred to as the diagram location in the register search statement attached to the section 32 statement

The land includes all improvements and fixtures.

Property address

The address of the land is: 1 BARHAM WAY, WOLLERT, VIC, 3750

Goods sold with the land (general condition 6.3(f)) *(list or attach schedule)*

All fixed floor coverings, electric light fittings, window furnishings, and all fixtures and fittings of a permanent nature, as inspected.

Payment

Price \$ _____
Deposit \$ _____ by (of which \$ _ has been paid)
Balance \$ _____ payable at settlement

Deposit bond

General condition 15 applies only if the box is checked

Bank guarantee

General condition 16 applies only if the box is checked

GST (general condition 19)

Subject to general condition 19.2, the price includes GST (if any), unless the next box is checked

- GST (if any) must be paid in addition to the price if the box is checked
- This sale is a sale of land on which a 'farming business' is carried on which the parties consider meets the requirements of section 38-480 of the GST Act if the box is checked
- This sale is a sale of a 'going concern' if the box is checked
- The margin scheme will be used to calculate GST if the box is checked

Settlement (general conditions 17 & 26.2)

is due on

unless the land is a lot on an unregistered plan of subdivision, in which case settlement is due on the later of:

- the above date; and
- the 14th day after the vendor gives notice in writing to the purchaser of registration of the plan of subdivision.

Lease (general condition 5.1)

At settlement the purchaser is entitled to vacant possession of the property unless the box is checked, in which case the property is sold subject to*:

(*only one of the boxes below should be checked after carefully reading any applicable lease or tenancy document)

a lease for a term ending on with [] options to renew, each of [] years

OR

a periodic tenancy determinable by notice

Terms contract (general condition 30)

This contract is intended to be a terms contract within the meaning of the *Sale of Land Act 1962* if the box is checked. *(Reference should be made to general condition 30 and any further applicable provisions should be added as special conditions)*

Loan (general condition 20)

This contract is subject to a loan being approved and the following details apply if the box is checked:

Lender: _____

Loan amount: no more than _____ Approval date: _____

Building report

General condition 21 applies only if the box is checked

Pest report

General condition 22 applies only if the box is checked

INFORMATION ONLY

Special Conditions

Instructions: *It is recommended that when adding special conditions:*

- *each special condition is numbered;*
- *the parties initial each page containing special conditions;*
- *a line is drawn through any blank space remaining on the last page; and*
- *attach additional pages if there is not enough space.*

INFORMATION ONLY

Special Conditions (1-16)

Special condition 1 – Tax Invoice

1. General condition 19.3 is replaced with the following:

- 19.3 If the vendor makes a taxable supply under this contract (that is not a margin scheme supply) and
- (a) the price includes GST; or
 - (b) the purchaser is obliged to pay an amount for GST in addition to the price (because the price is “plus GST” or under general condition 13.1(a), (b) or (c)),
- the purchaser is not obliged to pay the GST included in the price, or the additional amount payable for GST, until a tax invoice has been provided.

Special condition 2 – No Representations

2.1 It is hereby agreed between the parties hereto that there are no representations, conditions, warranties or other terms affecting this sale other than those embodied in this contract.

2.2 The purchaser acknowledges and warrants that it will not be entitled to rely, and that it has not upon entering this contract relied, on any representations, comments or statements made by the vendor or his Agent except such as are made conditions of this contract.

2.3 If any provision of this contract and/or its application are deemed unfair, unenforceable or void (including for a reason arising under the Australian Consumer Law), then that offending provision shall be deemed as severed from this contract and the remaining provisions shall not be affected and will remain binding and enforceable.

Special condition 3 – Dwelling

3.1 The land, buildings (if any), and goods (if any) as sold hereby and inspected by the purchaser are sold on the basis of existing improvements thereon. Any failure to comply with building regulations, municipal by-laws, relevant statutes and/or any other regulations thereunder and any repealed laws under which the improvements were or should have been constructed shall not constitute a defect in title or a matter of title or affect the validity of this contract.

3.2 The parties agree that any liability of the vendor to the purchaser for any defects identified in a report provided to the purchaser under general condition 21 is expressly and specifically excluded.

3.3 The property is sold subject to any restriction as to user imposed by law or by any Authority with power under any legislation to control the use of the land. Any such restriction shall not constitute a defect in title or a matter of title or affect the validity of this contract.

3.4 The purchaser shall not make any requisition, objection or claim any compensation in respect of:

- (a) any deficiency or defect in the said improvements as to their suitability for occupation;
- (b) the issue or non-issue of building permits and/or completion of inspection by the relevant authorities in respect of any improvements herein;
- (c) any restriction as to user imposed by law or by any Authority.

Special condition 4 – Acknowledgements

4.1 The purchaser represents and warrants to the Vendor that, because of the purchaser's own inspection and enquiries, the purchaser:

- (a) is satisfied as to the nature, quality, condition and state of repair of the property;
- (b) is satisfied as to the location of any buildings or structures on the land;
- (c) accepts the property as it is and subject to:
 - (i) all encumbrances and restrictions, including easements, covenants, appurtenant easements, implied easements, leases and any rights of any other person, whether they are disclosed or not;
 - (ii) defects (latent or patent);
 - (iii) existing and potential owners corporation issues and special levies identified in the owners corporation certificate;
 - (iv) all dilapidation and infestation; and
 - (v) all restrictions as to the use of the property pursuant to any legislation or regulation or requirement made by any authority under any order, plan, permit, scheme or overlay;
- (d) is satisfied about the purposes for which the property may be used and about all restrictions and prohibitions on its development;
- (e) is satisfied of the condition of all fittings, appliances and chattels included in this sale; and that the purchaser
- (e) has full legal capacity and power to enter into this contract.

4.2 The purchaser agrees and acknowledges that it may not make any objection, requisition, claim for compensation or damages, delay the settlement date, rescind or terminate because of anything in connection with:

- (a) any of the matters referred to in paragraph 4.1 of this special condition;
- (b) loss, damage, dilapidation, infestation, defect (latent or patent) or mechanical breakdown which may affect the property and which is considered to be fair wear and tear between the date of this contract and the settlement date unless caused or contributed to by the vendor between the day of sale and the settlement date;
- (c) the roof or surface water drainage from the property being connected to a sewerage service;
- (d) there being or not being an easement or other right in respect of a service; or
- (e) the condition or existence or non-existence of services.

4.3 The purchaser makes the representations, warranties, acknowledgements and agreements in this special condition, notwithstanding any limitations or restrictions that have, or may have, been imposed upon the purchaser directly or indirectly to impede its capacity to conduct a physical inspection of the property, and the purchaser also represents and warrants that with knowledge of any such limitations or restrictions, it has taken all further necessary steps and made all further necessary enquiries required to satisfy itself of the condition of the property.

Special condition 5 – GST

5. The purchaser acknowledges:

- (a) GST refers to a goods and services tax under *A New Tax System (Goods and Services Tax) Act 1999* (GST Act) and the terms used to have the meanings as defined in the GST Act.
- (b) The property has been occupied as a residence and it is residential premises under the GST Act and the Purchaser agrees, on and after completion of this sale, to use the property for residential accommodation.
- (c) In the event of the vendor being liable for GST because of the purchaser's non-use of the property for residential accommodation, the purchaser agrees to pay to the vendor within 14 days after the vendor's liability for GST on this sale is confirmed by the Commissioner for Taxation the amount of the GST, including any additional penalty and interest, and the vendor prior to such payment shall provide a tax invoice in a form which complied with the GST Act and the regulation to the purchaser.

Special condition 6 – Nomination

6.1 This special condition replaces general condition 4.

6.2 The purchaser may at any time up to twenty-one (21) days before the due date for settlement nominate a subsequent purchaser by the delivery to the vendor of:

- (a) a completed and executed notice of nomination in a form directed by the vendor;
- (b) where the subsequent purchaser is or includes a corporation other than a statutory corporation or a corporation listed on an Australian Stock Exchange, a guarantee and indemnity executed by the directors of that corporation in a form approved by the vendor of the performance by the subsequent purchaser of the obligations of the subsequent purchaser under this contract;
- (c) a copy of a completed and executed purchaser's declaration in the form approved from time to time by the Commissioner for State Revenue; and
- (d) such further information and documents as the purchaser may reasonably require which include, but are not limited to:
 - (i) The subsequent purchaser's full name, address and, where the contract is for the sale of an unregistered lot on a proposed plan of subdivision, the subsequent purchaser's tax file number;
 - (ii) If the margin scheme applies to this contract, a statement from the subsequent purchaser confirming that they accept and agree that the vendor will use the margin scheme to calculate the GST applicable to the taxable supply under this contract;
 - (iii) If the words "going concern" have been inserted in the relevant box in the Particulars of Sale, a statement from the subsequent purchaser confirming that they are registered for GST and that the going concern exemption will apply to this contract;
 - (iv) A warranty by the subsequent purchaser that FIRB approval is not required and that the purchaser and the subsequent purchaser indemnify the vendor against all charges and losses (including those for which the vendor may become liable) due to the vendor relying on this warranty;
 - (v) An acknowledgement by the subsequent purchaser that it has received a complete and legible copy of this contract, as well as the vendor's statement;
 - (vi) A statement from the subsequent purchaser that acknowledges that the vendor will incur additional conveyancing costs due to the fact of the nomination by the purchaser and the requirement for the vendor's representative to, *inter alia*:
 - (1) check the validity of the purchaser's nomination;
 - (2) check the validity of any information or documents required to be provided under this special condition for the nomination;
 - (3) advise the vendor on the consequences of the proposed nomination;
 - (4) conduct and for company searches or similar;
 - (5) amend State Revenue Office documents or the electronic workspace;
 - (vii) A statement from the purchaser and the subsequent purchaser confirming that the deposit is given by both the purchaser and the subsequent purchaser, and that the vendor's representative or estate agent are authorized, at their discretion, to rename any existing interest-bearing account or transfer the deposit into a new interest-bearing account;
 - (viii) A personal guarantee executed by each director of the subsequent purchaser (where the subsequent purchaser is a corporate entity) in accordance with the requirements of special condition 10.

6.3 Where a nomination is made under this special condition, the purchaser and any of the guarantors of the purchaser will indemnify the vendor and keep it indemnified from and against any claim, penalty or demand in respect of stamp duty or costs arising from the nomination of the subsequent purchaser and any subsequent default by the subsequent purchaser under this contract.

6.4 The purchaser and any of the guarantors of the purchaser remain personally liable for the due performance of all the obligations of the purchaser under this contract despite the nomination of the subsequent purchaser.

6.5 The purchaser shall have no right to nominate except in accordance with this special condition, and shall have no right to nominate if the purchaser is in default under this contract and the default has not been remedied.

6.6 The purchaser shall not nominate a subsequent purchaser if the subsequent purchaser is still required to seek approval from the FIRB.

6.7 Where a nomination is made under this special condition, a reference in this contract to the purchaser will include the subsequent purchaser.

Special condition 7 – Purchaser Default

7.1 The purchaser indemnifies the vendor against any liability or loss arising from, and any costs, charges and expenses incurred in connection with, the purchaser's default under this contract or the purchaser's breach of warranty, including legal costs and expenses on a full indemnity basis or solicitor and own client basis, whichever is the higher.

7.2 The purchaser's default or breach is not remedied until any amount payable by the purchaser to the vendor under this special condition in connection with that default or breach is paid.

7.3 The purchaser acknowledges and agrees that in the event of a default by the purchaser under this contract, the vendor may will or may suffer the following reasonably foreseeable losses and expenses:

- (a) All costs associated with obtaining bridging finance to complete the vendor's purchaser of another property or business and interest charged on such bridging finance;
- (b) Interest, charges and other expenses payable by the vendor under any existing mortgage, charge or other similar encumbrance over the property, calculated from the due date for settlement;
- (c) Accommodation and additional storage and removal expenses necessarily incurred by the vendor;
- (d) Any additional legal costs and expenses occasions by the default as between client and conveyancer and/or solicitor and client on an indemnity basis;
- (e) Penalties, interest or charges payable by the vendor to any third party as a result of any delay in the completion of the vendor's purchase, whether they are in relation to the purchase of another property, business, or any other transaction dependent on the funds from the sale of the property;
- (f) All commissions, fees and advertising expenses payable to the vendor's real estate agent.

7.4 The purchaser acknowledges and agrees that in the event of a default by the purchaser under this contract, the purchaser will be required to pay to the vendor, in addition to interest payable under this contract, an amount equivalent to such losses and expenses as are incurred by the vendor due to the purchaser's breach.

Special condition 8 – Foreign Investment Review Board

8.1 The purchaser warrants to the vendor that the acquisition of the property by the purchaser does not fall within the scope of the *Foreign Acquisitions and Takeovers Act 1975* (Cth) and is not examinable by the Foreign Investment Review Board and that no approval of the purchase by the Foreign Investment Review Board is required.

8.2 If there is a breach of the warranty contained in special condition 8.1 above, (whether intentional or not), the purchaser must indemnify and compensate the vendor for any loss, damage or cost which the vendor incurs as a result of the breach.

8.3 This warranty and indemnity do not merge on completion of this contract.

Special condition 9 – GST Withholding Notice

9. Further to general condition 25.3, the vendor hereby gives written notice under section 14-255 of the *Taxation Administration Act 1953* (Cth) to the effect that the purchaser will not be required to make a payment under section 14-250 of that Act in respect of the supply on the basis that the property is an existing residential premises.

Special condition 10 – Director's Guarantee and Warranty

10.1 This special condition replaces general condition 3.

10.2 In the event that the purchaser is a corporate entity, then the director/s signing on behalf of the corporate purchaser shall execute the contract and shall thereby warrant that same is done lawfully in accordance with the constitution of the purchaser company and the *Corporations Act 2001* (Cth), and further the corporate purchaser shall cause either the sole director or at least two directors of the purchaser's company to execute a guarantee and indemnity in a form directed by the vendor.

Special condition 11 – Foreign Acquisition

11. In the event that the purchaser is a person defined by the *Foreign Acquisitions & Takeovers Act 1975* (Cth), the purchaser hereby warrants that all requirements of that Act have been observed and that any loss suffered by the purchaser occasioned by a breach of such warranty shall form the basis of damages recoverable by the vendor as against the purchaser.

Special condition 12 – Loss or Damage Before Settlement

12. General conditions 31.4, 31.5 and 31.6 are deleted from this contract.

Special condition 13 – Change to Settlement Date

13. If the purchaser requests a change to the settlement date other than the contracted settlement date, and the vendor agrees to the change request, the purchaser acknowledges and agrees that it will be required to compensate the vendor for associated conveyancing expenses of \$275.00 inclusive of GST with this amount to be included as an adjustment and payable at settlement.

Special condition 14 – Auction

14. If the property is offered for sale by public auction, it is done subject to the vendor's reserve price. The rules for the conduct of the auction shall be as set in Schedule 1 to the *Sale of Land Regulations 2005* (Vic) or any rules prescribed by regulation which modify or replace those rules.

Special condition 15 – Inconsistency

15.1 The parties agree that in the event of any inconsistency in the interpretation or application of the special conditions and the general conditions of this contract, the special conditions will have priority and will prevail.

15.2 The warranties contained in general condition 6 shall be read subject to these special conditions and the vendor statement.

Special condition 16 – Swimming Pool/Spa

16.1 If a swimming pool and/or spa is constructed on the property, as defined in the Building Regulations 1994 or any rules prescribed by regulation which modify or replace those rules ("the Building Regulations"), and if the swimming pool and/or spa is not fenced or otherwise does not comply with the requirements of the Building Regulations or is not registered, the Vendor will not be obliged to comply with those regulations or make registration either prior to or after settlement date and Purchaser acknowledges and agrees that it shall be the Purchaser's responsibility at his sole cost and expense to construct suitable barriers or undertake any other required actions in compliance with the Building Regulations and to the satisfaction of the responsible authority within the time prescribed in the Building Regulations.

16.2 The Purchaser must not seek to terminate, rescind or make any objection, requisition or claim for compensation or delay settlement as a result of any non-compliance.

General conditions

Contract signing

1. ELECTRONIC SIGNATURE

- 1.1 In this general condition “**electronic signature**” means a digital signature or a visual representation of a person’s handwritten signature or mark which is placed on a physical or electronic copy of this contract by electronic or mechanical means, and “electronically signed” has a corresponding meaning.
- 1.2 The parties’ consent to this contract being signed by or on behalf of a party by an electronic signature.
- 1.3 Where this contract is electronically signed by or on behalf of a party, the party warrants and agrees that the electronic signature has been used to identify the person signing and to indicate that the party intends to be bound by the electronic signature.
- 1.4 This contract may be electronically signed in any number of counterparts which together will constitute the one document.
- 1.5 Each party consents to the exchange of counterparts of this contract by delivery by email or such other electronic means as may be agreed in writing.
- 1.6 Each party must upon request promptly deliver a physical counterpart of this contract with the handwritten signature or signatures of the party and all written evidence of the authority of a person signing on their behalf, but a failure to comply with the request does not affect the validity of this contract.

2. LIABILITY OF SIGNATORY

Any signatory for a proprietary limited company purchaser is personally liable for the due performance of the purchaser’s obligations as if the signatory were the purchaser in the case of a default by a proprietary limited company purchaser.

3. GUARANTEE

The vendor may require all directors of the purchaser to guarantee the purchaser’s performance of this contract if the purchaser is a proprietary limited company.

4. NOMINEE

The purchaser may no later than 14 days before the due date for settlement nominate a substitute or additional person to take a transfer of the land, but the named purchaser remains personally liable for the due performance of all the purchaser’s obligations under this contract.

Title

5. ENCUMBRANCES

- 5.1 The purchaser buys the property subject to –
 - (a) any encumbrance shown in the section 32 statement other than mortgages or caveats; and
 - (b) any reservations, exceptions and conditions in the crown grant; and
 - (c) any lease or tenancy referred to in the particulars of sale.
- 5.2 The purchaser indemnifies the vendor against all obligations under any lease or tenancy that are to be performed by the landlord after settlement.

6. VENDOR WARRANTIES

- 6.1 The vendor warrants that these general conditions 1 to 35 are identical to the general conditions 1 to 35 in the form of contract of sale of land published by the Law Institute of Victoria Limited and the Real Estate Institute of Victoria Ltd in the month and year set out at the foot of this page.
- 6.2 The warranties in general conditions 6.3 and 6.4 replace the purchaser’s right to make requisitions and inquiries.
- 6.3 The vendor warrants that the vendor –
 - (a) has, or by the due date for settlement will have, the right to sell the land; and
 - (b) is under no legal disability; and
 - (c) is in possession of the land, either personally or through a tenant; and

- (d) has not previously sold or granted any option to purchase, agreed to a lease or granted a pre-emptive right which is current over the land and which gives another party rights which have priority over the interest of the purchaser; and
- (e) will at settlement be the holder of an unencumbered estate in fee simple in the land; and
- (f) will at settlement be the unencumbered owner of any improvements, fixtures, fittings and goods sold with the land.

6.4 The vendor further warrants that the vendor has no knowledge of any of the following –

- (a) public rights of way over the land;
- (b) easements over the land;
- (c) lease or other possessory agreement affecting the land;
- (d) notice or order directly and currently affecting the land which will not be dealt with at settlement, other than the usual rate notices and any land tax notices;
- (e) legal proceedings which would render the sale of the land void or voidable or capable of being set aside.

6.5 The warranties in general conditions 6.3 and 6.4 are subject to any contrary provisions in this contract and disclosures in the section 32 statement.

6.6 If sections 137B and 137C of the *Building Act 1993* (Vic) apply to this contract, the vendor warrants that –

- (a) all domestic building work carried out in relation to the construction by or on behalf of the vendor of the home was carried out in a proper and workmanlike manner; and
- (b) all materials used in that domestic building work were good and suitable for the purpose for which they were used and that, unless otherwise stated in the contract, those materials were new; and
- (c) domestic building work was carried out in accordance with all laws and legal requirements, including, without limiting the generality of this warranty, the *Building Act 1993* (Vic) and regulations made under the *Building Act 1993* (Vic).

6.7 Words and phrases used in general condition 6.6 which are defined in the *Building Act 1993* (Vic) have the same meaning in general condition 6.6.

7. IDENTITY OF THE LAND

7.1 An omission or mistake in the description of the property or any deficiency in the area, description or measurements of the land does not invalidate the sale.

7.2 The purchaser may not –

- (a) make any objection or claim for compensation for any alleged misdescription of the property or any deficiency in its area or measurements; or
- (b) require the vendor to amend title or pay any cost of amending title.

8. SERVICES

8.1 The vendor does not represent that the services are adequate for the purchaser's proposed use of the property and the vendor advises the purchaser to make appropriate inquiries. The condition of the services may change between the day of sale and settlement and the vendor does not promise that the services will be in the same condition at settlement as they were on the day of sale.

8.2 The purchaser is responsible for the connection of all services to the property after settlement and the payment of any associated cost.

9. CONSENTS

The vendor must obtain any necessary consent or licence required for the vendor to sell the property. The contract will be at an end and all money paid must be refunded if any necessary consent or licence is not obtained by settlement.

10. TRANSFER & DUTY

10.1 The purchaser must prepare and deliver to the vendor at least 7 days before the due date for settlement any paper transfer of land document which is necessary for this transaction. The delivery of the transfer of land document is not acceptance of title.

10.2 The vendor must promptly initiate the digital duties form or other form required by the State Revenue Office in respect of this transaction, and both parties must co-operate to complete it as soon as practicable.

11. RELEASE OF SECURITY INTEREST

11.1 This general condition applies if any part of the property is subject to a security interest to which the *Personal Property Securities Act 2009* (Cth) applies.

- 11.2 For the purposes of enabling the purchaser to search the Personal Property Securities Register for any security interests affecting any personal property for which the purchaser may be entitled to a release, statement, approval or correction in accordance with general condition 11.4, the purchaser may request the vendor to provide the vendor's date of birth to the purchaser. The vendor must comply with a request made by the purchaser under this condition if the purchaser makes the request at least 21 days before the due date for settlement.
- 11.3 If the purchaser is given the details of the vendor's date of birth under general condition 11.2, the purchaser must –
- (a) only use the vendor's date of birth for the purposes specified in general condition 11.2; and
 - (b) keep the date of birth of the vendor secure and confidential.
- 11.4 The vendor must ensure that at or before settlement, the purchaser receives –
- (a) a release from the secured party releasing the property from the security interest; or
 - (b) a statement in writing in accordance with section 275(1)(b) of the *Personal Property Securities Act 2009* (Cth) setting out that the amount or obligation that is secured is nil at settlement; or
 - (c) a written approval or correction in accordance with section 275(1)(c) of the *Personal Property Securities Act 2009* (Cth) indicating that, on settlement, the personal property included in the contract is not or will not be property in which the security interest is granted.
- 11.5 Subject to general condition 11.6, the vendor is not obliged to ensure that the purchaser receives a release, statement, approval or correction in respect of personal property –
- (a) that –
 - (i) the purchaser intends to use predominantly for personal, domestic or household purposes; and
 - (ii) has a market value of not more than \$5000 or, if a greater amount has been prescribed for the purposes of section 47(1) of the *Personal Property Securities Act 2009* (Cth), not more than that prescribed amount; or
 - (b) that is sold in the ordinary course of the vendor's business of selling personal property of that kind.
- 11.6 The vendor is obliged to ensure that the purchaser receives a release, statement, approval or correction in respect of personal property described in general condition 11.5 if –
- (a) the personal property is of a kind that may or must be described by serial number in the Personal Property Securities Register; or
 - (b) the purchaser has actual or constructive knowledge that the sale constitutes a breach of the security agreement that provides for the security interest.
- 11.7 A release for the purposes of general condition 11.4(a) must be in writing.
- 11.8 A release for the purposes of general condition 11.4(a) must be effective in releasing the goods from the security interest and be in a form which allows the purchaser to take title to the goods free of that security interest.
- 11.9 If the purchaser receives a release under general condition 11.4(a) the purchaser must provide the vendor with a copy of the release at or as soon as practicable after settlement.
- 11.10 In addition to ensuring that a release is received under general condition 11.4(a), the vendor must ensure that at or before settlement the purchaser receives a written undertaking from a secured party to register a financing change statement to reflect that release if the property being released includes goods of a kind that are described by serial number in the Personal Property Securities Register.
- 11.11 At least 21 days before the due date for settlement the purchaser must notify the vendor of any registered security interest which the purchaser reasonably requires to be released.
- 11.12 The vendor may delay settlement until 21 days after the purchaser notifies the vendor of the security interests that the purchaser reasonably requires to be released if the purchaser does not provide a notification under general condition 11.11.
- 11.13 If settlement is delayed under general condition 11.12 the purchaser must pay the vendor –
- (a) interest from the due date for settlement until the date on which settlement occurs or 21 days after the vendor receives the advice, whichever is the earlier; and
 - (b) any reasonable costs incurred by the vendor as a result of the delay – as though the purchaser was in default.
- 11.14 The vendor is not required to ensure that the purchaser receives a release in respect of the land. This general condition 11.14 applies despite general condition 11.1.

11.15 Words and phrases which are defined in the *Personal Property Securities Act 2009* (Cth) have the same meaning in general condition 11 unless the context requires otherwise.

12. DOMESTIC BUILDING INSURANCE

The vendor will provide any current domestic building insurance required pursuant to section 43B of the *Domestic Building Contracts Act 1995* (Vic), in the vendor's possession relating to the property, if requested in writing to do so at least 14 days before settlement.

13. GENERAL LAW LAND

- 13.1 The vendor must complete a conversion of title in accordance with section 14 of the *Transfer of Land Act 1958* (Vic) before settlement if the land is the subject of a provisional folio under section 23 of that Act.
- 13.2 The remaining provisions of this general condition 13 only apply if any part of the land is not under the operation of the *Transfer of Land Act 1958* (Vic).
- 13.3 The vendor is taken to be the holder of an unencumbered estate in fee simple in the land if there is an unbroken chain of title starting at least 30 years before the day of sale proving on the face of the documents the ownership of the entire legal and equitable estate without the aid of other evidence.
- 13.4 The purchaser is entitled to inspect the vendor's chain of title on request at such place in Victoria as the vendor nominates.
- 13.5 The purchaser is taken to have accepted the vendor's title if –
- 21 days have elapsed since the day of sale; and
 - the purchaser has not reasonably objected to the title or reasonably required the vendor to remedy a defect in the title.
- 13.6 The contract will be at an end if –
- the vendor gives the purchaser a notice that the vendor is unable or unwilling to satisfy the purchaser's objection or requirement and that the contract will end if the objection or requirement is not withdrawn within 14 days of the giving of the notice; and
 - the objection or requirement is not withdrawn in that time.
- 13.7 If the contract ends in accordance with general condition 13.6, the deposit must be returned to the purchaser and neither party has a claim against the other in damages.
- 13.8 General condition 17.1 [settlement] should be read as if the reference to 'registered proprietor' is a reference to 'owner' in respect of that part of the land which is not under the operation of the *Transfer of Land Act 1958* (Vic).

Money

14. DEPOSIT

- 14.1 The purchaser must pay the deposit –
- to the vendor's licensed estate agent; or
 - if there is no estate agent, to the vendor's legal practitioner or conveyancer; or
 - if the vendor directs, into a special purpose account in an authorised deposit-taking institution in Victoria specified by the vendor in the joint names of the purchaser and the vendor.
- 14.2 If the land sold is a lot on an unregistered plan of subdivision, the deposit –
- must not exceed 10% of the price; and
 - must be paid to the vendor's estate agent, legal practitioner or conveyancer and held by the estate agent, legal practitioner or conveyancer on trust for the purchaser until the registration of the plan of subdivision.
- 14.3 The stakeholder must pay the deposit and any interest to the party entitled when the deposit is released, the contract is settled, or the contract is ended.
- 14.4 The stakeholder may pay the deposit and any interest into court if it is reasonable to do so.
- 14.5 Where the purchaser is deemed by section 27(7) of the *Sale of Land Act 1962* (Vic) to have given the deposit release authorisation referred to in section 27(1), the purchaser is also deemed to have accepted title in the absence of any prior express objection to title.

- 14.6 Payment of the deposit may be made or tendered –
- (a) in cash up to \$1,000 or 0.2% of the price, whichever is greater; or
 - (b) by cheque drawn on an authorised deposit-taking institution; or
 - (c) by electronic funds transfer to a recipient having the appropriate facilities for receipt.
- However, unless otherwise agreed –
- (d) payment may not be made by credit card, debit card or any other financial transfer system that allows for any chargeback or funds reversal other than for fraud or mistaken payment, and
 - (e) any financial transfer or similar fees or deductions from the funds transferred, other than any fees charged by the recipient's authorised deposit-taking institution, must be paid by the remitter.
- 14.7 Payment by electronic funds transfer is made when cleared funds are received in the recipient's bank account.
- 14.8 Before the funds are electronically transferred the intended recipient must be notified in writing and given sufficient particulars to readily identify the relevant transaction.
- 14.9 As soon as the funds have been electronically transferred the intended recipient must be provided with the relevant transaction number or reference details.
- 14.10 For the purpose of this general condition 'authorised deposit-taking institution' means a body corporate for which an authority under section 9(3) of the *Banking Act 1959* (Cth) is in force.

15. DEPOSIT BOND

- 15.1 This general condition only applies if the applicable box in the particulars of sale is checked.
- 15.2 In this general condition "deposit bond" means an irrevocable undertaking to pay on demand an amount equal to the deposit or any unpaid part of the deposit. The issuer and the form of the deposit bond must be satisfactory to the vendor. The deposit bond must have an expiry date at least 45 days after the due date for settlement.
- 15.3 The purchaser may deliver a deposit bond to the vendor's estate agent, legal practitioner or conveyancer within 7 days after the day of sale.
- 15.4 The purchaser may at least 45 days before a current deposit bond expires deliver a replacement deposit bond on the same terms and conditions.
- 15.5 Where a deposit bond is delivered, the purchaser must pay the deposit to the vendor's legal practitioner or conveyancer on the first to occur of –
- (a) settlement;
 - (b) the date that is 45 days before the deposit bond or any replacement deposit bond expires;
 - (c) the date on which this contract ends in accordance with general condition 35.2 [default not remedied] following breach by the purchaser; and
 - (d) the date on which the vendor ends this contract by accepting repudiation of it by the purchaser.
- 15.6 The vendor may claim on the deposit bond without prior notice if the purchaser defaults under this contract or repudiates this contract and the contract is ended. The amount paid by the issuer satisfies the obligations of the purchaser under general condition 15.5 to the extent of the payment.
- 15.7 Nothing in this general condition limits the rights of the vendor if the purchaser defaults under this contract or repudiates this contract, except as provided in general condition 15.6.
- 15.8 This general condition is subject to general condition 14.2 [deposit].

16. BANK GUARANTEE

- 16.1 This general condition only applies if the applicable box in the particulars of sale is checked.
- 16.2 In this general condition –
- (a) "bank guarantee" means an unconditional and irrevocable guarantee or undertaking by a bank in a form satisfactory to the vendor to pay on demand any amount under this contract agreed in writing, and
 - (b) "bank" means an authorised deposit-taking institution under the *Banking Act 1959* (Cth).
- 16.3 The purchaser may deliver a bank guarantee to the vendor's legal practitioner or conveyancer.
- 16.4 The purchaser must pay the amount secured by the bank guarantee to the vendor's legal practitioner or conveyancer on the first to occur of –

- (a) settlement;
 - (b) the date that is 45 days before the bank guarantee expires;
 - (c) the date on which this contract ends in accordance with general condition 35.2 [default not remedied] following breach by the purchaser; and
 - (d) the date on which the vendor ends this contract by accepting repudiation of it by the purchaser.
- 16.5 The vendor must return the bank guarantee document to the purchaser when the purchaser pays the amount secured by the bank guarantee in accordance with general condition 16.4.
- 16.6 The vendor may claim on the bank guarantee without prior notice if the purchaser defaults under this contract or repudiates this contract and the contract is ended. The amount paid by the bank satisfies the obligations of the purchaser under general condition 16.4 to the extent of the payment.
- 16.7 Nothing in this general condition limits the rights of the vendor if the purchaser defaults under this contract or repudiates this contract except as provided in general condition 16.6.
- 16.8 This general condition is subject to general condition 14.2 [deposit].

17. SETTLEMENT

- 17.1 At settlement –
- (a) the purchaser must pay the balance; and
 - (b) the vendor must –
 - (i) do all things necessary to enable the purchaser to become the registered proprietor of the land; and
 - (ii) give either vacant possession or receipt of rents and profits in accordance with the particulars of sale.
- 17.2 Where settlement is not conducted electronically, settlement must be conducted between the hours of 10.00 am and 4.00 pm unless the parties agree otherwise.
- 17.3 Where settlement is conducted electronically in accordance with the Electronic Conveyancing National Law, settlement must occur during the time available for settlement in the operating time of the settling ELNO.
- 17.4 The purchaser must pay all money other than the deposit in accordance with a written direction of the vendor or the vendor's legal practitioner or conveyancer.

18. ELECTRONIC SETTLEMENT

- 18.1 Settlement and lodgement of the instruments necessary to record the purchaser as registered proprietor of the land will be conducted electronically in accordance with the Electronic Conveyancing National Law. This general condition 18 has priority over any other provision of this contract to the extent of any inconsistency.
- 18.2 A party must immediately give written notice if that party reasonably believes that settlement and lodgement can no longer be conducted electronically. General condition 18 ceases to apply from when such a notice is given.
- 18.3 Each party must –
- (a) be, or engage a representative who is, a subscriber for the purposes of the Electronic Conveyancing National Law;
 - (b) ensure that all other persons for whom that party is responsible and who are associated with this transaction are, or engage, a subscriber for the purposes of the Electronic Conveyancing National Law; and
 - (c) conduct the transaction in accordance with the Electronic Conveyancing National Law.
- 18.4 The vendor must open the electronic workspace (“workspace”) as soon as reasonably practicable and nominate a date and time for settlement. The inclusion of a specific date and time for settlement in a workspace is not of itself a promise to settle on that date or at that time. For the purposes of any electronic transactions legislation (only) the workspace is an electronic address for the service of notices and for written communications.
- 18.5 This general condition 18.5 applies if there is more than one electronic lodgement network operator in respect of the transaction. In this general condition 18.5 “the transaction” means this sale and purchase and any associated transaction involving any of the same subscribers.

To the extent that any interoperability rules governing the relationship between electronic lodgement network operators do not provide otherwise –

- (a) the electronic lodgement network operator to conduct all the financial and lodgement aspects of the transaction after the workspace locks must be one which is willing and able to conduct such aspects of the transaction in accordance with the instructions of all the subscribers in the workspaces of all the electronic lodgement network operators after the workspace locks;
 - (b) if two or more electronic lodgement network operators meet that description, one may be selected by purchaser's incoming mortgagee having the highest priority but if there is no mortgagee of the purchaser, the vendor must make the selection.
- 18.6 Settlement occurs when the workspace records that –
- (a) there has been an exchange of funds or value between the exchange settlement account or accounts in the Reserve Bank of Australia of the relevant financial institutions or their financial settlement agents in accordance with the instructions of the parties; or
 - (b) if there is no exchange of funds or value, the documents necessary to enable the purchaser to become registered proprietor of the land have been accepted for electronic lodgement.
- 18.7 The parties must do everything reasonably necessary to effect settlement –
- (a) electronically on the next business day, or
 - (b) at the option of either party, otherwise than electronically as soon as possible –
- if, after the locking of the workspace at the nominated settlement time, settlement in accordance with general condition 18.6 has not occurred during the hours that the settling ELNO operates in the State of Victoria.
- 18.8 Each party must do everything reasonably necessary to assist the other party to trace and identify the recipient of any missing or mistaken payment and to recover the missing or mistaken payment.
- 18.9 The vendor must before settlement –
- (a) deliver any keys, security devices and codes ("keys") to the estate agent named in the contract;
 - (b) direct the estate agent to give the keys to the purchaser or the purchaser's nominee on notification of settlement by the vendor, the vendor's subscriber or the electronic lodgement network operator;
 - (c) deliver all other physical documents and items (other than the goods sold with the land to which the purchaser is entitled at settlement), and any keys if not delivered to the estate agent, to the vendor's subscriber or, if there is no vendor's subscriber, confirm in writing to the purchaser that the vendor holds those documents, items and keys at the vendor's address set out in the contract; and
 - (d) give, or direct its subscriber to give, all those documents and items and any such keys to the purchaser or the purchaser's nominee on notification by the electronic lodgement network operator of settlement.

19. GST

- 19.1 The purchaser does not have to pay the vendor any amount in respect of GST in addition to the price if the particulars of sale specify that the price includes GST (if any).
- 19.2 The purchaser must pay to the vendor any GST payable by the vendor in respect of a taxable supply made under this contract in addition to the price if –
- (a) the particulars of sale specify that GST (if any) must be paid in addition to the price; or
 - (b) GST is payable solely as a result of any action taken or intended to be taken by the purchaser after the day of sale, including a change of use; or
 - (c) the particulars of sale specify that the supply made under this contract is of land on which a 'farming business' is carried on and the supply (or part of it) does not satisfy the requirements of section 38-480 of the GST Act; or
 - (d) the particulars of sale specify that the supply made under this contract is of a going concern and the supply (or a part of it) does not satisfy the requirements of section 38-325 of the GST Act.
- 19.3 The purchaser is not obliged to pay any GST under this contract until a tax invoice has been given to the purchaser, unless the margin scheme applies.
- 19.4 If the particulars of sale specify that the supply made under this contract is of land on which a 'farming business' is carried on –
- (a) the vendor warrants that the property is land on which a farming business has been carried on for the period of 5 years preceding the date of supply; and
 - (b) the purchaser warrants that the purchaser intends that a farming business will be carried on after settlement on the property.
- 19.5 If the particulars of sale specify that the supply made under this contract is a 'going concern':

- (a) the parties agree that this contract is for the supply of a going concern; and
 - (b) the purchaser warrants that the purchaser is, or prior to settlement will be, registered for GST; and
 - (c) the vendor warrants that the vendor will carry on the going concern until the date of supply.
- 19.6 If the particulars of sale specify that the supply made under this contract is a 'margin scheme' supply, the parties agree that the margin scheme applies to this contract.
- 19.7 In these general conditions –
- (a) 'GST Act' means *A New Tax System (Goods and Services Tax) Act 1999* (Cth); and
 - (b) 'GST' includes penalties and interest.

20. LOAN

- 20.1 If the particulars of sale specify that this contract is subject to a loan being approved, this contract is subject to the lender approving the loan on the security of the property by the approval date or any later date allowed by the vendor.
- 20.2 The purchaser may end the contract if the loan is not approved by the approval date, but only if the purchaser –
- (a) immediately applied for the loan; and
 - (b) did everything reasonably required to obtain approval of the loan; and
 - (c) serves written notice ending the contract, together with written evidence of rejection or non-approval of the loan, on the vendor within 2 clear business days after the approval date or any later date allowed by the vendor; and,
 - (d) is not in default under any other condition of this contract when the notice is given.
- 20.3 All money must be immediately refunded to the purchaser if the contract is ended.

21. BUILDING REPORT

- 21.1 This general condition only applies if the applicable box in the particulars of sale is checked.
- 21.2 The purchaser may end this contract within 14 days from the day of sale if the purchaser:
- (a) obtains a written report from –
 - (i) a registered building surveyor;
 - (ii) a registered building inspector;
 - (iii) a registered domestic builder; or
 - (iv) an architect,
 which is –
 - (v) prepared in compliance with Australian Standard AS 4349.1-2007;
 - (vi) identifies a current defect in a structure on the land; and
 the author states is a major defect.
 - (b) gives the vendor a copy of the report and a written notice ending this contract; and
 - (c) is not then in default.
- 21.3 All money paid must be immediately refunded to the purchaser if the contract ends in accordance with this general condition.
- 21.4 A notice under this general condition may be served on the vendor's legal practitioner, conveyancer or estate agent even if the estate agent's authority has formally expired at the time of service.
- 21.5 The registered building practitioner may inspect the property at any reasonable time for the purpose of preparing the report.

22. PEST REPORT

- 22.1 This general condition only applies if the applicable box in the particulars of sale is checked.
- 22.2 The purchaser may end this contract within 14 days from the day of sale if the purchaser –
- (a) obtains a written report from a pest inspector which is prepared in accordance with the relevant Australian Standard approved on behalf of the Council of Standards Australia and which discloses a current pest infestation on the land and designates it as a major infestation affecting the structure of a building on the land;
 - (b) gives the vendor a copy of the report and a written notice ending this contract; and

(c) is not then in default.

- 22.3 All money paid must be immediately refunded to the purchaser if the contract ends in accordance with this general condition.
- 22.4 A notice under this general condition may be served on the vendor's legal practitioner, conveyancer or estate agent even if the estate agent's authority has formally expired at the time of service.
- 22.5 The pest control operator may inspect the property at any reasonable time for the purpose of preparing the report.

23. ADJUSTMENTS

- 23.1 All periodic outgoings payable by the vendor, and any rent and other income received in respect of the property, must be apportioned between the parties on the settlement date and any adjustments paid and received as appropriate.
- 23.2 The periodic outgoings and rent and other income must be apportioned on the basis that the vendor is liable for the periodic outgoings and entitled to the rent and other income up to and including the day of settlement; and
- 23.3 The purchaser must provide copies of all certificates and other information used to calculate the adjustments under general condition 23 if requested by the vendor.
- 23.4 For the purposes of general condition 23, the expression "periodic outgoings" does not include any amounts to which section 10G of the *Sale of Land Act 1962* (Vic) applies.

24. FOREIGN RESIDENT CAPITAL GAINS WITHHOLDING

- 24.1 Words defined or used in Subdivision 14-D of Schedule 1 to the *Taxation Administration Act 1953* (Cth) (Tax Act) have the same meaning in this general condition unless the context requires otherwise.
- 24.2 Every vendor under this contract is a foreign resident for the purposes of this general condition unless the vendor gives the purchaser a clearance certificate issued by the Commissioner under section 14-220 (1) of Schedule 1 to the Tax Act. The specified period in the clearance certificate must include the actual date of settlement.
- 24.3 The remaining provisions of this general condition 24 only apply if the purchaser is required to pay the Commissioner an amount in accordance with section 14-200(3) or section 14-235 of Schedule 1 to the Tax Act ("the amount") because one or more of the vendors is a foreign resident, the property has or will have a market value not less than the amount set out in section 14-215 of the legislation just after the transaction, and the transaction is not excluded under section 14-215(1) of the legislation.
- 24.4 The amount is to be deducted from the vendor's entitlement to the contract consideration. The vendor must pay to the purchaser at settlement such part of the amount as is represented by non-monetary consideration.
- 24.5 The purchaser must –
- (a) engage a legal practitioner or conveyancer ("representative") to conduct all the legal aspects of settlement, including the performance of the purchaser's obligations under the legislation and this general condition; and
 - (b) ensure that the representative does so.
- 24.6 The terms of the representative's engagement are taken to include instructions to have regard to the vendor's interests and instructions that the representative must –
- (a) pay, or ensure payment of, the amount to the Commissioner in the manner required by the Commissioner and as soon as reasonably and practicably possible, from moneys under the control or direction of the representative in accordance with this general condition if the sale of the property settles;
 - (b) promptly provide the vendor with proof of payment; and
 - (c) otherwise comply, or ensure compliance, with this general condition;
- despite –
- (d) any contrary instructions, other than from both the purchaser and the vendor; and
 - (e) any other provision in this contract to the contrary.
- 24.7 The representative is taken to have complied with the requirements of general condition 24.6 if –
- (a) the settlement is conducted through an electronic lodgement network; and

- (b) the amount is included in the settlement statement requiring payment to the Commissioner in respect of this transaction.
- 24.8 Any clearance certificate or document evidencing variation of the amount in accordance with section 14-235(2) of Schedule 1 to the Tax Act must be given to the purchaser at least 5 business days before the due date for settlement.
- 24.9 The vendor must provide the purchaser with such information as the purchaser requires to comply with the purchaser's obligation to pay the amount in accordance with section 14-200 of Schedule 1 to the Tax Act. The information must be provided within 5 business days of request by the purchaser. The vendor warrants that the information the vendor provides is true and correct.
- 24.10 The purchaser is responsible for any penalties or interest payable to the Commissioner on account of late payment of the amount.

25. GST WITHHOLDING

- 25.1 Words and expressions defined or used in Subdivision 14-E of Schedule 1 to the Tax Act or in the GST Act have the same meaning in this general condition unless the context requires otherwise. Words and expressions first used in this general condition and shown in italics and marked with an asterisk are defined or described in at least one of those Acts.
- 25.2 The purchaser must notify the vendor in writing of the name of the recipient of the *supply for the purposes of section 14-255 of Schedule 1 to the Tax Act at least 21 days before the due date for settlement unless the recipient is the purchaser named in the contract.
- 25.3 The vendor must, at least 14 days before the due date for settlement, provide the purchaser and any person nominated by the purchaser under general condition 4 with a GST withholding notice in accordance with section 14-255 of Schedule 1 to the Tax Act, and must provide all information required by the purchaser or any person so nominated to confirm the accuracy of the notice.
- 25.4 The remaining provisions of this general condition 25 apply if the purchaser is or may be required to pay the Commissioner an *amount in accordance with section 14-250 of Schedule 1 to the Tax Act because the property is *new residential premises or *potential residential land in either case falling within the parameters of that section, and also if the sale attracts the operation of section 14-255 of the Tax Act. Nothing in this general condition 25 is to be taken as relieving the vendor from compliance with section 14-255.
- 25.5 The amount is to be deducted from the vendor's entitlement to the contract *consideration and is then taken to be paid to the vendor, whether or not the vendor provides the purchaser with a GST withholding notice in accordance with section 14-255 of Schedule 1 to the Tax Act. The vendor must pay to the purchaser at settlement such part of the amount as is represented by non-monetary consideration.
- 25.6 The purchaser must –
 - (a) engage a legal practitioner or conveyancer ("representative") to conduct all the legal aspects of settlement, including the performance of the purchaser's obligations under the legislation and this general condition; and
 - (b) ensure that the representative does so.
- 25.7 The terms of the representative's engagement are taken to include instructions to have regard to the vendor's interests relating to the payment of the amount to the Commissioner and instructions that the representative must –
 - (a) pay, or ensure payment of, the amount to the Commissioner in the manner required by the Commissioner and as soon as reasonably and practicably possible, from moneys under the control or direction of the representative in accordance with this general condition on settlement of the sale of the property;
 - (b) promptly provide the vendor with evidence of payment, including any notification or other document provided by the purchaser to the Commissioner relating to payment; and
 - (c) otherwise comply, or ensure compliance, with this general condition;despite –
 - (d) any contrary instructions, other than from both the purchaser and the vendor; and
 - (e) any other provision in this contract to the contrary.
- 25.8 The representative is taken to have complied with the requirements of general condition 25.7 if –
 - (a) settlement is conducted through an electronic lodgement network; and

- (b) the amount is included in the settlement statement requiring payment to the Commissioner in respect of this transaction.
- 25.9 The purchaser may at settlement give the vendor a bank cheque for the amount in accordance with section 16-30 (3) of Schedule 1 to the Tax Act, but only if –
- (a) so agreed by the vendor in writing; and
 - (b) the settlement is not conducted through an electronic lodgement network.
- However, if the purchaser gives the bank cheque in accordance with this general condition 25.9, the vendor must –
- (c) immediately after settlement provide the bank cheque to the Commissioner to pay the amount in relation to the supply; and
 - (d) give the purchaser a receipt for the bank cheque which identifies the transaction and includes particulars of the bank cheque, at the same time the purchaser gives the vendor the bank cheque.
- 25.10 A party must provide the other party with such information as the other party requires to –
- (a) decide if an amount is required to be paid or the quantum of it, or
 - (b) comply with the purchaser's obligation to pay the amount,
- in accordance with section 14-250 of Schedule 1 to the Tax Act. The information must be provided within 5 business days of a written request. The party providing the information warrants that it is true and correct.
- 25.11 The vendor warrants that –
- (a) at settlement, the property is not new residential premises or potential residential land in either case falling within the parameters of section 14-250 of Schedule 1 to the Tax Act if the vendor gives the purchaser a written notice under section 14-255 to the effect that the purchaser will not be required to make a payment under section 14-250 in respect of the supply, or fails to give a written notice as required by and within the time specified in section 14-255; and
 - (b) the amount described in a written notice given by the vendor to the purchaser under section 14-255 of Schedule 1 to the Tax Act is the correct amount required to be paid under section 14-250 of the legislation.
- 25.12 The purchaser is responsible for any penalties or interest payable to the Commissioner on account of non-payment or late payment of the amount, except to the extent that –
- (a) the penalties or interest arise from any failure on the part of the vendor, including breach of a warranty in general condition 25.11; or
 - (b) the purchaser has a reasonable belief that the property is neither new residential premises nor potential residential land requiring the purchaser to pay an amount to the Commissioner in accordance with section 14-250(1) of Schedule 1 to the Tax Act.
- The vendor is responsible for any penalties or interest payable to the Commissioner on account of non-payment or late payment of the amount if either exception applies.

Transactional

26. TIME & CO OPERATION

- 26.1 Time is of the essence of this contract.
- 26.2 Time is extended until the next business day if the time for performing any action falls on a day which is not a business day.
- 26.3 Each party must do all things reasonably necessary to enable this contract to proceed to settlement and must act in a prompt and efficient manner.
- 26.4 Any unfulfilled obligation will not merge on settlement.

27. SERVICE

- 27.1 Any document required to be served by or on any party may be served by or on the legal practitioner or conveyancer for that party.
- 27.2 A cooling off notice under section 31 of the *Sale of Land Act 1962* or a notice under general condition 20 [loan approval], 21 [building report] or 22 [pest report] may be served on the vendor's legal practitioner, conveyancer or estate agent even if the estate agent's authority has formally expired at the time of service.
- 27.3 A document is sufficiently served –

- (a) personally; or
- (b) by pre-paid post; or
- (c) in any manner authorised by law or by the Supreme Court for service of documents, including any manner authorised for service on or by a legal practitioner, whether or not the person serving or receiving the document is a legal practitioner; or
- (d) by email.

27.4 Any document properly sent by –

- (a) express post is taken to have been served on the next business day after posting, unless proved otherwise;
- (b) priority post is taken to have been served on the fourth business day after posting, unless proved otherwise;
- (c) regular post is taken to have been served on the sixth business day after posting, unless proved otherwise;
- (d) email is taken to have been served at the time of receipt within the meaning of section 13A of the *Electronic Transactions (Victoria) Act 2000*.

27.5 Any written communication in the workspace of the electronic lodgement network does not constitute service of a notice other than a notice for the purposes of any electronic transactions legislation.

27.6 In this contract 'document' includes 'demand' and 'notice', 'serve' includes 'give', and 'served' and 'service' have corresponding meanings.

28. NOTICES

28.1 The vendor is responsible for any notice, order, demand or levy imposing liability on the property that is issued or made before the day of sale and does not relate to periodic outgoings.

28.2 The purchaser is responsible for any notice, order, demand or levy imposing liability on the property that is issued or made on or after the day of sale and does not relate to periodic outgoings.

28.3 The purchaser may enter the property to comply with that responsibility where action is required before settlement.

28.4 General condition 28 does not apply to any amounts to which section 10G or 10H of the *Sale of Land Act 1962 (Vic)* applies.

29. INSPECTION

The purchaser and/or another person authorised by the purchaser may inspect the property at any reasonable time during the 7 days preceding and including the settlement day.

30. TERMS CONTRACT

30.1 If this is a 'terms contract' as defined in the *Sale of Land Act 1962 (Vic)* –

- (a) any mortgage affecting the land sold must be discharged as to that land before the purchaser becomes entitled to possession or to the receipt of rents and profits unless the vendor satisfies section 29M of the *Sale of Land Act 1962 (Vic)*; and
- (b) the deposit and all other money payable under the contract (other than any money payable in excess of the amount required to so discharge the mortgage) must be paid to a legal practitioner or conveyancer or a licensed estate agent to be applied in or towards discharging the mortgage.

30.2 While any money remains owing and the purchaser is entitled to possession or receipt of the rents and profits, each of the following applies –

- (a) the purchaser must maintain full damage and destruction insurance of the property and public risk insurance noting all parties having an insurable interest with an insurer approved in writing by the vendor;
- (b) the purchaser must deliver copies of the signed insurance application forms, the policies and the insurance receipts to the vendor not less than 10 days before taking possession of the property or becoming entitled to receipt of the rents and profits;
- (c) the purchaser must deliver copies of any amendments to the policies and the insurance receipts on each amendment or renewal as evidence of the status of the policies from time to time;
- (d) the vendor may pay any renewal premiums or take out the insurance if the purchaser fails to meet these obligations;
- (e) insurance costs paid by the vendor under paragraph (d) must be refunded by the purchaser on demand

- without affecting the vendor's other rights under this contract;
- (f) the purchaser must maintain and operate the property in good repair (fair wear and tear excepted) and keep the property safe, lawful, structurally sound, weatherproof and free from contaminations and dangerous substances;
 - (g) the property must not be altered in any way without the written consent of the vendor which must not be unreasonably refused or delayed;
 - (h) the purchaser must observe all obligations that affect owners or occupiers of land;
 - (i) the vendor and/or other person authorised by the vendor may enter the property at any reasonable time to inspect it on giving 7 days written notice, but not more than twice in a year.

31. LOSS OR DAMAGE BEFORE SETTLEMENT

- 31.1 The vendor carries the risk of loss or damage to the property until settlement.
- 31.2 The vendor must deliver the property to the purchaser at settlement in the same condition it was in on the day of sale, except for fair wear and tear.
- 31.3 The purchaser must not delay settlement because one or more of the goods is not in the condition required by general condition 31.2 but may claim compensation from the vendor after settlement.

32. BREACH

A party who breaches this contract must pay to the other party on demand –

- (a) compensation for any reasonably foreseeable loss to the other party resulting from the breach; and
- (b) any interest due under this contract as a result of the breach.

Default

33. INTEREST

Interest at the rate for the time being fixed by section 2 of the *Penalty Interest Rates Act 1983 (Vic)* is payable at settlement on any money owing under the contract during the period of default, without affecting any other rights of the offended party.

34. DEFAULT NOTICE

- 34.1 A party is not entitled to exercise any rights arising from the other party's default, other than the right to receive interest and the right to sue for money owing, until the other party is given and fails to comply with a written default notice.
- 34.2 The default notice must –
 - (a) specify the particulars of the default; and
 - (b) state that it is the offended party's intention to exercise the rights arising from the default unless, within 14 days of the notice being given –
 - (i) the default is remedied; and
 - (ii) the reasonable costs incurred as a result of the default and any interest payable are paid.

35. DEFAULT NOT REMEDIED

- 35.1 All unpaid money under the contract becomes immediately payable to the vendor if the default has been made by the purchaser and is not remedied and the costs and interest are not paid.
- 35.2 The contract immediately ends if –
 - (a) the default notice also states that unless the default is remedied and the reasonable costs and interest are paid, the contract will be ended in accordance with this general condition; and
 - (b) the default is not remedied and the reasonable costs and interest are not paid by the end of the period of the default notice.
- 35.3 If the contract ends by a default notice given by the purchaser:
 - (a) the purchaser must be repaid any money paid under the contract and be paid any interest and reasonable costs payable under the contract; and
 - (b) all those amounts are a charge on the land until payment; and
 - (c) the purchaser may also recover any loss otherwise recoverable.

- 35.4 If the contract ends by a default notice given by the vendor or acceptance by the vendor of a repudiation by the purchaser –
- (a) the deposit up to 10% of the price is forfeited to the vendor as the vendor's absolute property, whether the deposit has been paid or not; and
 - (b) the vendor is entitled to possession of the property; and
 - (c) in addition to any other remedy, the vendor may within one year of the contract ending either:
 - (i) retain the property and sue for damages for breach of contract; or
 - (ii) resell the property in any manner and recover any deficiency in the price on the resale and any resulting expenses by way of liquidated damages; and
 - (d) the vendor may retain any part of the price paid until the vendor's damages have been determined and may apply that money towards those damages; and
 - (e) any determination of the vendor's damages must take into account the amount forfeited to the vendor.
- 35.5 The ending of the contract does not affect the rights of the offended party as a consequence of the default.
-

Vendor Statement

The vendor makes this statement in respect of the land in accordance with section 32 of the Sale of Land Act 1962

This statement must be signed by the vendor and given to the purchaser before the purchaser signs the contract. The vendor may sign by electronic signature.

The purchaser acknowledges being given this statement by the vendor with the attached documents before the purchaser signed any contract.

Land: 1 BARHAM WAY WOLLERT Vic 3750

Vendors

Vendor

Name	Signature	Date
Michael Anthony Fraczak		

Vendor

Name	Signature	Date
Alexandra Fraczak		

Purchasers

Purchaser

Name	Signature	Date

Purchaser

Name	Signature	Date

Important information

InfoTrack is not liable in any way, including, without limitation, in negligence, for the use to which this document may be put, for any errors or omissions in this document. It is advised you should also check for any subsequent changes in the law.

1. FINANCIAL MATTERS

1.1 Rates, Taxes, Charges or Other Similar Outgoings

Details of any outgoing and any interest on them

- Attached

1.2 Particulars of any Charge (whether registered or not)

Imposed by or under any Act to secure an amount due under that Act, including the amount owing under the charge

- Not Applicable.

1.3 Terms Of Contract

This section only applies if this vendor statement is in respect of a terms contract where the purchaser is obliged to make 2 or more payments (other than a deposit or final payment) to the vendor after the execution of the contract and before the purchaser is entitled to a conveyance or transfer of the land.

- Not Applicable

1.4 Sale Subject to Mortgage

This section only applies if this vendor statement is in respect of a contract which provides that any mortgage (whether registered or unregistered), is not to be discharged before the purchaser becomes entitled to possession or receipts of rents and profits.

- Not Applicable.

1.5 Land subject to Tax Reform Scheme

Is the land tax reform scheme land within the meaning of the Commercial and Industrial Property Tax Reform Act 2024?

- Not Applicable.

AVPCC	Entry date
110	

2. INSURANCE

2.1 Damage and Destruction

This section only applies if this vendor statement is in respect of a contract which does NOT provide for the land to remain at the risk of the vendor until the purchaser becomes entitled to possession or receipt of rents and profits. When it applies, provide details for any policy of insurance in respect of any damage to or destruction of the land.

- Not Applicable

2.2 Owner-Builder

This section only applies where there is a residence on the land that was constructed by an owner-builder within the preceding 6 years and section 137B of the Building Act 1993 applies to the residence. Note: There may be additional legislative obligations in respect of the sale of land on which there is a building on which building work has been carried out.

- Not Applicable

3. LAND USE

3.1 Easements, Covenants or Other Similar Restrictions

- Attached

3.2 Road Access

Is there road access to the property?

- Yes

3.3 Designated Bushfire Prone Area

Is the land in a designated bushfire prone area under section 192A of the Building Act 1993?

- No

3.4 Planning Scheme

- Attached

4. NOTICES

4.1 Notice, Order, Declaration, Report or Recommendation

Particulars of any notice, order, declaration, report or recommendation of a public authority or government department or approved proposal directly and currently affecting the land, being a notice, order, declaration, report, recommendation or approved proposal of which the vendor might reasonably be expected to have knowledge.

- Attached

4.2 Agricultural Chemicals

Are there any notices, property management plans, reports or orders in respect of the land issued by a government department or public authority in relation to livestock disease or contamination by agricultural chemicals affecting the ongoing use of the land for agricultural purposes.

- No

4.3 Compulsory Acquisition

Are there any notices of intention to acquire that have been served under section 6 of the Land Acquisition and Compensation Act 1986?

- No

5. BUILDING PERMITS

Particulars of any building permit issued under the Building Act 1993 in the preceding 7 years (required only where there is a residence on the land):

- Attached

6. OWNERS CORPORATION

This section only applies if the land is affected by an owners corporation within the meaning of the Owners Corporations Act 2006.

- Not Applicable

7. GROWTH AREAS INFRASTRUCTURE CONTRIBUTION ("GAIC")

Words and expressions in this section 7 have the same meaning as in Part 9B of the Planning And Environment Act 1987.

7.1 Work-in-Kind Agreement

This section only applies if the land is subject to a work-in-kind agreement.

7.2 GAIC Recording

This section only applies if there is a GAIC recording. Any of the following certificates or notices must be attached if there is a GAIC recording.

8. SERVICES

Selected services marked with an 'X' are NOT connected to the land.

<input type="checkbox"/> Electricity supply	<input type="checkbox"/> Gas supply	<input type="checkbox"/> Water supply	<input type="checkbox"/> Sewerage	<input type="checkbox"/> Telephone services
---	-------------------------------------	---------------------------------------	-----------------------------------	---

9. TITLE

Attached are copies of the following documents.

- Registered Title

10. SUBDIVISION

10.1 Unregistered Subdivision

This section only applies if the land is subject to a subdivision which is not registered.

10.2 Staged Subdivision

This section only applies if the land is part of a staged subdivision within the meaning of section 37 of the Subdivision Act 1988.

10.3 Further Plan of Subdivision

This section only applies if the land is subject to a subdivision in respect of which a further plan within the meaning of the Subdivision Act 1988 is proposed.

11. DISCLOSURE OF ENERGY INFORMATION

Disclosure of this information is not required under section 32 of the Sale of Land Act 1962 but may be included in this vendor statement for convenience.

Details of any energy efficiency information required to be disclosed regarding a disclosure affected building or disclosure area affected area of a building as defined by the Building Energy Efficiency Disclosure Act 2010 (Cth)

- to be a building or part of a building used or capable of being used as an office for administrative, clerical, professional or similar based activities including any support facilities; and
- which has a net lettable area of at least 1000m²; (but does not include a building under a strata title system or if an occupancy permit was issued less than 2 years before the relevant date):

12. DUE DILIGENCE CHECKLIST

The Sale of Land Act 1962 provides that the vendor or the vendor's licensed estate agent must make a prescribed due diligence checklist available to purchasers before offering land for sale that is vacant residential land or land on which there is a residence. The due diligence checklist is NOT required to be provided with, or attached to, this vendor statement but the checklist may be attached as a matter of convenience.

- Consumer Affairs Victoria Due Diligence Checklist

13. ATTACHMENTS

Any certificates, documents and other attachments may be annexed to this section 13. Additional information may be added to this section 13 where there is insufficient space in any of the earlier sections. Attached is an "Additional Vendor Statement" if section 1.3 (Terms Contract) or 1.4 (Sale Subject to Mortgage) applies.

Due Diligence Checklist

What you need to know before buying a residential property

Before you buy a home, you should be aware of a range of issues that may affect that property and impose restrictions or obligations on you, if you buy it. This checklist aims to help you identify whether any of these issues will affect you. The questions are a starting point only and you may need to seek professional advice to answer some of them. You can find links to organisations and web pages that can help you learn more, by visiting consumer.vic.gov.au/duediligencechecklist.

Urban living

Moving to the inner city?

High density areas are attractive for their entertainment and service areas, but these activities create increased traffic as well as noise and odours from businesses and people. Familiarising yourself with the character of the area will give you a balanced understanding of what to expect.

Is the property subject to an owners corporation?

If the property is part of a subdivision with common property such as driveways or grounds, it may be subject to an owners corporation. You may be required to pay fees and follow rules that restrict what you can do on your property, such as a ban on pet ownership.

Growth areas

Are you moving to a growth area?

You should investigate whether you will be required to pay a growth areas infrastructure contribution.

Flood and fire risk

Does this property experience flooding or bushfire?

Properties are sometimes subject to the risk of fire and flooding due to their location. You should properly investigate these risks and consider their implications for land management, buildings and insurance premiums.

Rural properties

Moving to the country?

If you are looking at property in a rural zone, consider:

- Is the surrounding land use compatible with your lifestyle expectations? Farming can create noise or odour that may be at odds with your expectations of a rural lifestyle.
- Are you considering removing native vegetation? There are regulations which affect your ability to remove native vegetation on private property.
- Do you understand your obligations to manage weeds and pest animals?
- Can you build new dwellings?
- Does the property adjoin crown land, have a water frontage, contain a disused government road, or are there any crown licences associated with the land?

Is there any earth resource activity such as mining in the area?

You may wish to find out more about exploration, mining and quarrying activity on or near the property and consider the issue of petroleum, geothermal and greenhouse gas sequestration permits, leases and licences, extractive industry authorisations and mineral licences.

Soil and groundwater contamination

Has previous land use affected the soil or groundwater?

You should consider whether past activities, including the use of adjacent land, may have caused contamination at the site and whether this may prevent you from doing certain things to or on the land in the future.

Land boundaries

Do you know the exact boundary of the property?

You should compare the measurements shown on the title document with actual fences and buildings on the property, to make sure the boundaries match. If you have concerns about this, you can speak to your lawyer or conveyancer, or commission a site survey to establish property boundaries.

Planning controls

Can you change how the property is used, or the buildings on it?

All land is subject to a planning scheme, run by the local council. How the property is zoned and any overlays that may apply, will determine how the land can be used. This may restrict such things as whether you can build on vacant land or how you can alter or develop the land and its buildings over time.

The local council can give you advice about the planning scheme, as well as details of any other restrictions that may apply, such as design guidelines or bushfire safety design. There may also be restrictions – known as encumbrances – on the property's title, which prevent you from developing the property. You can find out about encumbrances by looking at the section 32 statement.

Are there any proposed or granted planning permits?

The local council can advise you if there are any proposed or issued planning permits for any properties close by. Significant developments in your area may change the local 'character' (predominant style of the area) and may increase noise or traffic near the property.

Safety

Is the building safe to live in?

Building laws are in place to ensure building safety. Professional building inspections can help you assess the property for electrical safety, possible illegal building work, adequate pool or spa fencing and the presence of asbestos, termites, or other potential hazards.

Building permits

Have any buildings or retaining walls on the property been altered, or do you plan to alter them?

There are laws and regulations about how buildings and retaining walls are constructed, which you may wish to investigate to ensure any completed or proposed building work is approved. The local council may be able to give you information about any building permits issued for recent building works done to the property, and what you must do to plan new work. You can also commission a private building surveyor's assessment.

Are any recent building or renovation works covered by insurance?

Ask the vendor if there is any owner-builder insurance or builder's warranty to cover defects in the work done to the property.

Utilities and essential services

Does the property have working connections for water, sewerage, electricity, gas, telephone and internet?

Unconnected services may not be available, or may incur a fee to connect. You may also need to choose from a range of suppliers for these services. This may be particularly important in rural areas where some services are not available.

Buyers' rights

Do you know your rights when buying a property?

The contract of sale and section 32 statement contain important information about the property, so you should request to see these and read them thoroughly. Many people engage a lawyer or conveyancer to help them understand the contracts and ensure the sale goes through correctly. If you intend to hire a professional, you should consider speaking to them before you commit to the sale. There are also important rules about the way private sales and auctions are conducted. These may include a cooling-off period and specific rights associated with 'off the plan' sales. The important thing to remember is that, as the buyer, you have rights

**REGISTER SEARCH STATEMENT (Title Search) Transfer of
Land Act 1958**

Page 1 of 1

VOLUME 11863 FOLIO 350

Security no : 124131856468F
Produced 04/02/2026 10:00 AM

LAND DESCRIPTION

Lot 434 on Plan of Subdivision 738256X.
PARENT TITLE Volume 11842 Folio 039
Created by instrument PS738256X 23/03/2017

REGISTERED PROPRIETOR

Estate Fee Simple
Joint Proprietors
ALEXANDRA FRACZAK
MICHAEL ANTHONY FRACZAK both of 1 BARHAM WAY WOLLERT VIC 3750
AV214290R 11/01/2022

ENCUMBRANCES, CAVEATS AND NOTICES

MORTGAGE AV214291P 11/01/2022
ING BANK (AUSTRALIA) LTD

COVENANT PS738256X 23/03/2017

Any encumbrances created by Section 98 Transfer of Land Act 1958 or Section 24 Subdivision Act 1988 and any other encumbrances shown or entered on the plan set out under DIAGRAM LOCATION below.

AGREEMENT Section 173 Planning and Environment Act 1987
AF771740P 10/04/2008
REMOVAL AS TO PART OF AGREEMENT AN594355J 24/02/2017

DIAGRAM LOCATION

SEE PS738256X FOR FURTHER DETAILS AND BOUNDARIES

ACTIVITY IN THE LAST 125 DAYS

NIL

-----END OF REGISTER SEARCH STATEMENT-----

Additional information: (not part of the Register Search Statement)

Street Address: 1 BARHAM WAY WOLLERT VIC 3750

ADMINISTRATIVE NOTICES

NIL

eCT Control 19531K DENTONS AUSTRALIA
Effective from 11/01/2022

DOCUMENT END

Imaged Document Cover Sheet

The document following this cover sheet is an imaged document supplied by LANDATA®, Secure Electronic Registries Victoria.

Document Type	Instrument
Document Identification	AF771740P
Number of Pages (excluding this cover sheet)	52
Document Assembled	04/02/2026 10:00

Copyright and disclaimer notice:

© State of Victoria. This publication is copyright. No part may be reproduced by any process except in accordance with the provisions of the Copyright Act 1968 (Cth) and for the purposes of Section 32 of the Sale of Land Act 1962 or pursuant to a written agreement. The information is only valid at the time and in the form obtained from the LANDATA® System. None of the State of Victoria, LANDATA®, Secure Electronic Registries Victoria Pty Ltd (ABN 86 627 986 396) as trustee for the Secure Electronic Registries Victoria Trust (ABN 83 206 746 897) accept responsibility for any subsequent release, publication or reproduction of the information.

The document is invalid if this cover sheet is removed or altered.



Form 18

Section 181

APPLICATION BY A RESPONSIBLE AUTHORITY FOR THE MAKING OF A RECORDING OF AN AGREEMENT

Planning and Environment Act 1987

AF771740P



Lodged at the Land Titles Office by:

Name: Maddocks

Phone: 9288 0555

Address: 140 William Street, Melbourne 3000 or DX 259 Melbourne

Ref: TGM:5227055

Customer Code: 1167E

The Authority having made an agreement referred to in section 181(1) of the Planning and Environment Act 1987 requires a recording to be made in the Register for the land.

Land: Volume 10776 Folio 057, Volume 10728 Folio 557, Volume 10716 Folio 293, Volume 10104 Folio 491, Volume 9075 Folio 530, Volume 9497 Folios 457 and 458, Volume 8816 Folio 666, Volume 8957 Folio 491 and part of Volume 9457 Folio 951 and Volume 10799 Folio 539 and more particularly being the area shown as hatched on the attached plan marked "A" and more particularly being the area shown as hatched on the attached plan marked "B" and part of Volume 10673 Folios 806 and 807 and more particularly being the area shown as hatched on the attached plan marked "C".

Authority: Whittlesea City Council of Municipal Offices, Ferres Boulevard, South Morang

Section and Act under which agreement made: Section 173 of the Planning and Environment Act 1987.

A copy of the agreement is attached to this application

Signature for the Authority: [Handwritten Signature]

2

Name of officer:

DAVID TURNBULL

Office held:

CEO

Date:

14/3/08

AF771740P

10/04/2008 \$187

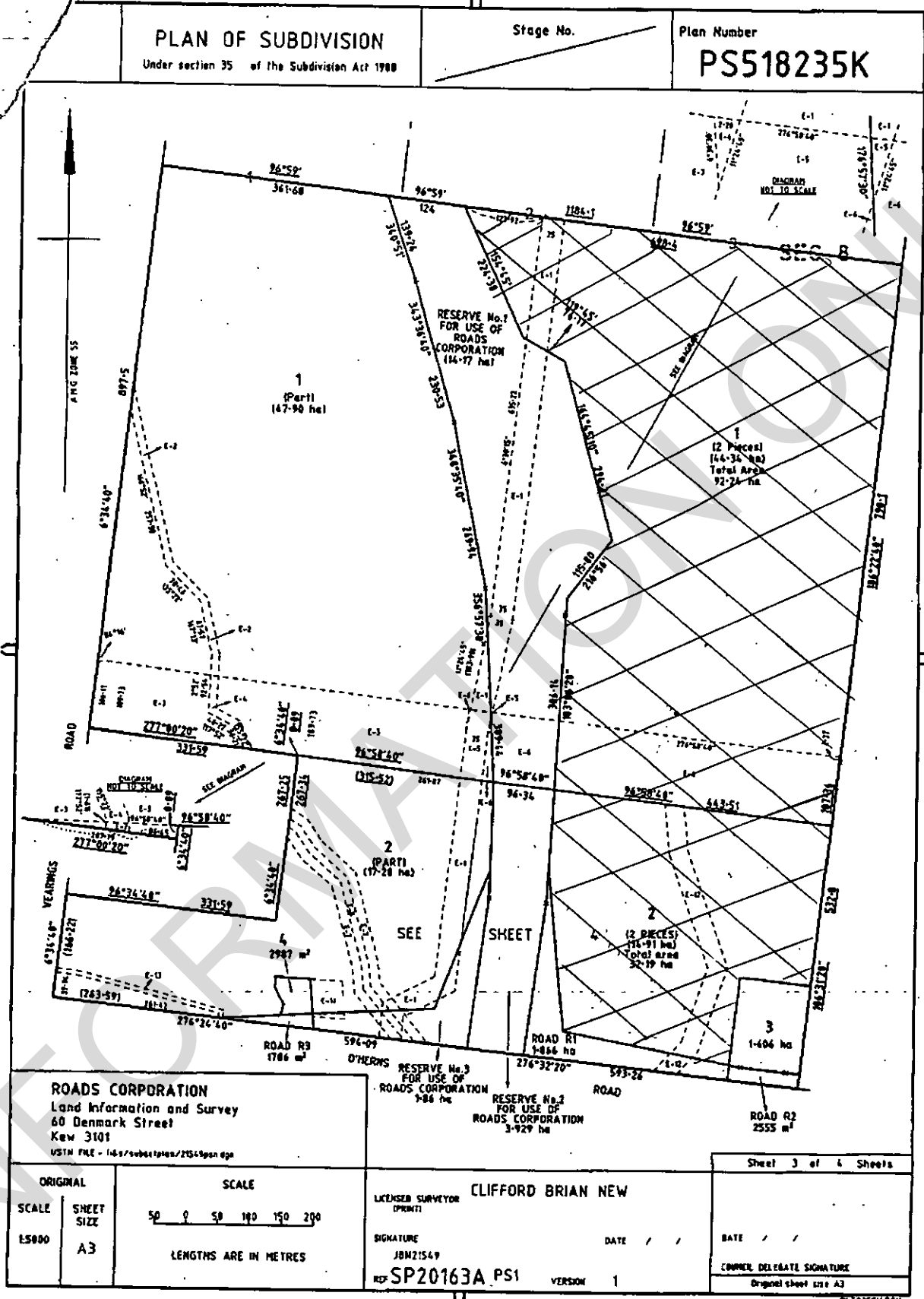
173



INFORMATION ONLY

"A"

LANDATA®. Land Registry timestamp 14/11/2007 12.49 Page 3 of 5



ROADS CORPORATION
 Land Information and Survey
 60 Denmark Street
 Kew 3101
 USTIN FILE - 14617000410101/25149001.dwg

RESERVE No. 1 FOR USE OF ROADS CORPORATION
 14.77 ha

RESERVE No. 2 FOR USE OF ROADS CORPORATION
 3.929 ha

ORIGINAL
 SCALE SHEET SIZE
 E5800 A3

SCALE
 50 0 50 100 150 200
 LENGTHS ARE IN METRES

LICENSED SURVEYOR
 (PRINT)
CLIFFORD BRIAN NEW

SIGNATURE
 JBN21549

DATE / /

REP **SP20163A PS1** VERSION 1

Sheet 3 of 4 Sheets

DATE / /

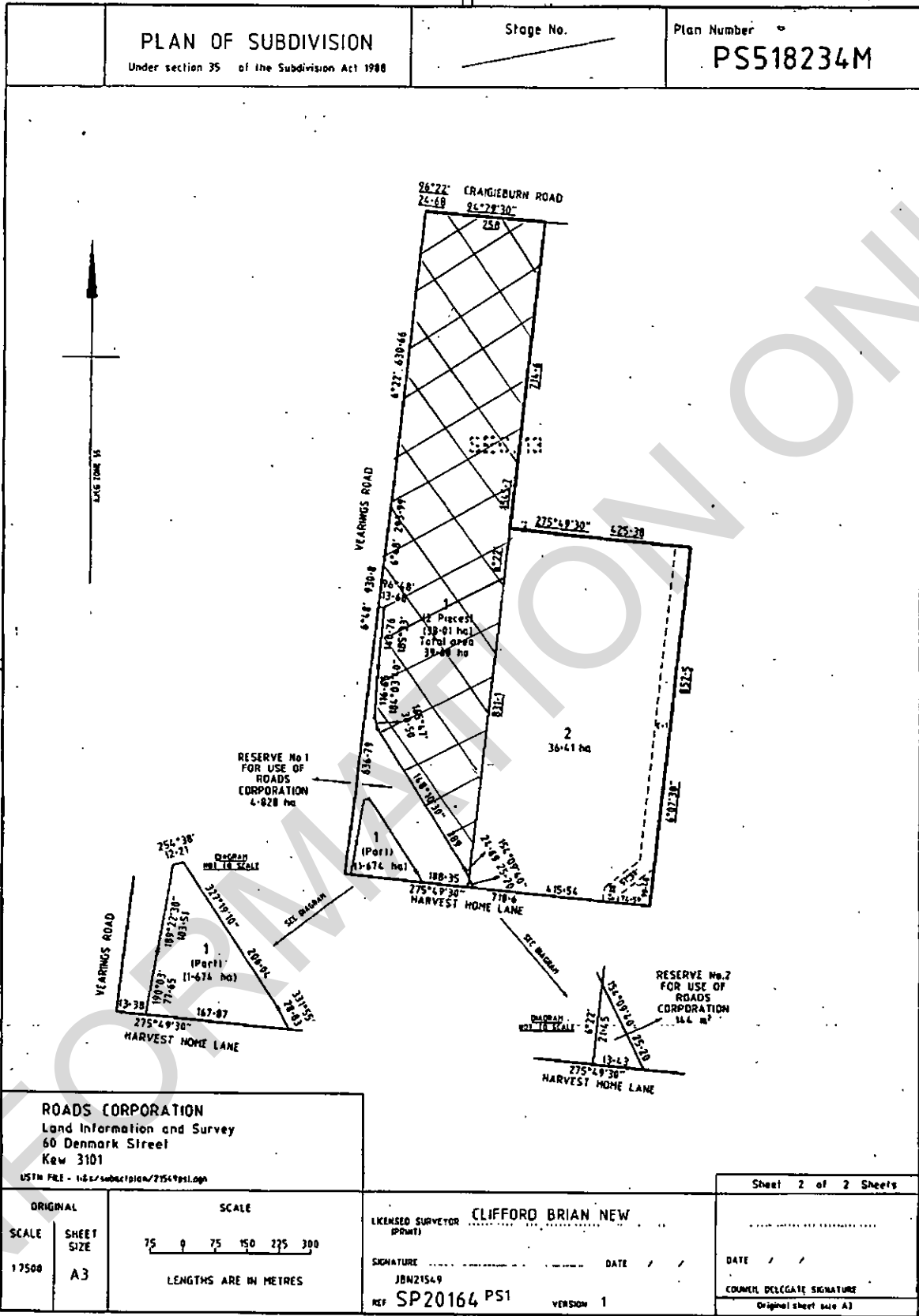
COUNCIL DELEGATE SIGNATURE
 Original sheet size A3

AF771740P

10/04/2008 \$187 173



"B"



AF771740P

10/04/2008 \$187 173

"C"

PLAN OF SUBDIVISION		LR use only EDITION
Location of Land Parish: WOLLERT Township: - Section: 8 Crown Allotment: - Crown Portion: 4 Title References C/T VOL 10673 FOL 806 VOL 10673 FOL 807 Last Plan Reference: TP813147X Postal Address: 365 HARVEST HOME ROAD (At time of subdivision) EPPING NORTH 3076 MGA Co-ordinates E 323765 (Of approx. centre of plan) N 5833875 Zone 55		Council Certification and Endorsement Council Name: Whittlesea City Council Ref: 1. This Plan is certified under Section 6 of the Subdivision Act 1988. 2. This plan is certified under section 11(7) of the Subdivision Act 1988. Date of original certification under section 6/...../..... 3. This is a statement of compliance issued under section 21 of the Subdivision Act 1988. Council delegate Council seal Date / / Re-certified under section 11(7) of the Subdivision Act 1988. Council delegate Council seal Date / /
		LR use only Statement of compliance/ Exemption Statement Received <input type="checkbox"/> Date: / / LR use only PLAN REGISTERED TIME Date: / / Assistant Registrar of Titles. Notations Depth Limitations: NIL Survey: This plan is not based on survey. This survey has been connected to permanent marks no(s) - In Proclaimed Survey Area no -
Easement Information		
Legend: A - Appurtenant Easement E - Encumbering Easement R - Encumbering Easement (Road)		
Easement Reference	Purpose	Width (Metres)
A-1	Carriageway	6.40
E-1	Sewerage	See Diag
E-2	Powerline	14
E-3	Electricity Supply	1.50
		Origin
		Vol 5750 Fol 826 This Plan
		This Plan-Sect 88 of the Electricity Industry Act 2000
		This Plan
		Land Benefited/in Favour Of
		Land in Vol. 5750 Fol. 826 Lot A in this plan
		TXU Electricity Ltd
		Lot A in this plan

HARVEST HOME ROAD

O'HERNS ROAD

Enlargement A
1.125ha

Enlargement B
4.239ha

ENLARGEMENT
NOT TO SCALE

coomes consulting

Coomes Consulting Group Pty Ltd
ccs@coomes.com.au coomes.com.au
24 Albert Road PO Box 3205 South Melbourne Victoria 3205
T 61 3 8963 7858 F 61 3 8962 7829

AF771740P

10/04/2008 \$187

Sheet 1 of 1 Sheets

DATE / /
COUNCIL DELEGATE
SIGNATURE

Original sheet size A3

SCALE

100 0 100 200 300 400

LENGTHS ARE IN METRES

ORIGINAL SCALE SHEET SIZE

1:10000 A3

LICENSED SURVEYOR (PRINT) Gabrielle M McCarthy

SIGNATURE
Gabrielle M McCarthy

DATE 21/5/2008

REF: 3604-24

VERSION 3

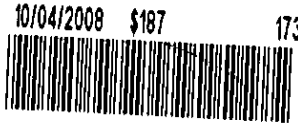
FILE NAME: 3604p.dwg
FILE LOCATION: P:\PROJECTS\Subdivisions\3604-24\3604-24\SUBDIVISION.DWG
LAYOUT NAME: Layout1
SAVE DATE: Thu, 07 May 2009 10:32 LAST SAVED BY:



Maddocks

Date **2 Nov** /2007

AF771740P



Lawyers
140 William Street
Melbourne Victoria 3000 Australia
Telephone 61 3 9288 0555
Facsimile 61 3 9288 0666
Email info@maddocks.com.au
www.maddocks.com.au
DX 259 Melbourne

**Agreement under Section 173
of the Planning and Environment Act 1987**

Subject Land: Aurora Estate

Purpose: Development Levies

Whittlesea City Council

and

Victorian Urban Development Authority

INFORMATION ONLY

Interstate office
Sydney

Affiliated offices
Adelaide, Beijing, Brisbane, Colombo,
Dubai, Hong Kong, Jakarta, Kuala Lumpur,
Manila, Mumbai, New Delhi, Perth,
Singapore, Tianjin

AF771740P

10/04/2008 \$187 173



Table of Contents

- 1. DEFINITIONS..... 1**
- 2. INTERPRETATION 4**
- 3. DEVELOPMENT CONTRIBUTIONS 4**
 - 3.1 Development Contributions 4
 - 3.2 Open Space Land and Project Land transfers 5
 - 3.3 Transport Corridor land 6
 - 3.4 Road Infrastructure Projects 6
 - 3.5 Non-Road Projects 7
- 4. REVIEW OF DEVELOPMENT CONTRIBUTIONS PLAN 8**
 - 4.1 Adjustment of costs 8
 - 4.2 Review of Development Contributions Plan 9
- 5. OTHER SPECIFIC OBLIGATIONS OF VICURBAN 9**
- 6. SPECIFIC OBLIGATIONS OF COUNCIL CONCERNING THE DEVELOPMENT CONTRIBUTIONS 10**
- 7. FURTHER OBLIGATIONS OF THE OWNER 11**
 - 7.1 Notice and Registration 11
 - 7.2 Further actions 11
 - 7.3 Council's Costs to be Paid 11
- 8. AGREEMENT UNDER SECTION 173 OF THE ACT 11**
- 9. OWNER'S WARRANTIES 11**
- 10. SUCCESSORS IN TITLE 12**
- 11. GENERAL MATTERS 12**
 - 11.1 Notices 12
 - 11.2 Service of Notice 12
 - 11.3 No Waiver 12
 - 11.4 Severability 12
 - 11.5 No Fettering of Council's Powers 13
 - 11.6 Penalty for late payment 13
 - 11.7 Lower order infrastructure 13
- 12. GOODS AND SERVICES TAX 13**
- 13. COMMENCEMENT OF AGREEMENT 13**
- 14. ENDING OF AGREEMENT 13**
- SCHEDULE 1 15**
- SCHEDULE 2 16**

Agreement under Section 173 of the Planning and Environment Act 1987

DATE *2 Nov* /2007

AF771740P



BETWEEN

WHITTLESEA CITY COUNCIL
of Municipal Offices, Ferres Boulevard, South Morang

(Council)

AND

Victorian Urban Development Authority
of Level 12, 700 Collins Street, Docklands

(Owner)

RECITALS

- A. Council is the Planning Authority pursuant to the Act for the Amendment.
- B. The Owner is or is entitled to be the registered proprietor of the Subject Land.
- C. The Subject Land is part of the Epping North Growth Area and is to be developed for urban purposes generally in accordance with the Epping North Strategic Plan. The Amendment will among other things rezone the Subject Land to a Comprehensive Development Zone with an associated Schedule to facilitate the urban development of the Subject Land.
- D. Prior to the approval of the Amendment, the Owner of the Subject Land must enter into agreement with Council to address the provision of infrastructure and public open space.
- E. The parties enter into this Agreement to achieve and advance the objectives of planning in Victoria and in particular the objectives of the Planning Scheme in respect of the Subject Land.

THE PARTIES AGREE

1. DEFINITIONS

In this Agreement the words and expressions set out in this clause have the following meanings unless the context admits otherwise:

1st Oval means the sporting oval marked 'AS01' on Figure 4 of the Development Contributions Plan.

2nd Oval means the sporting oval shown in yellow within the site marked as 'P-12 school' on Figure 5 of the Development Contributions Plan.

3rd Oval means the sporting oval shown on Figure 4 of the Development Contributions Plan cross-hatched in green and directly adjacent to the 1st Oval.

Act means the *Planning and Environment Act 1987*.

Accommodation Units has the meaning given in section 6.10 of the Development Contributions Plan.

Actual Yield means the number of Accommodation Units constructed, or able to be constructed, within the part of the ADP2 Area which has been subdivided for urban purposes.

Additional Area means the land shown as areas A, B and C in Figure 6 of the Development Contributions Plan, Cotters Lane, Vearings Road and part of Harvest Home Road.

ADP2 Area means the area shown in Figure 2 of the Development Contributions Plan.

Agreement means this agreement and any agreement executed by the parties expressed to be supplemental to this agreement.

Amendment means Amendment C41 to the Planning Scheme.

Approval Date is the date on which a notice of approval of the Amendment is published in the Government Gazette.

Concept Plans means plans showing preliminary siting, layout, floor plans, perspectives, elevations and landscaping.

Conservation Purposes means a purpose including the conservation or the retention of any native vegetation, stony knoll or the like.

Construction Cost means the figure identified for a particular Infrastructure Project in Column 5 of Table 2 of the Development Contributions Plan plus, in respect of Infrastructure Projects identified in the Development Contributions Plan as 'Community Activity centres', the cost of providing up to an additional 10 car parking spaces if those parking spaces are shown on Working Drawings determined pursuant to clause 3.5.5 of this Agreement.

Contribution Portion means 31.96% of the Transport Corridor Land.

Development Contributions Plan means 'Aurora Development Plan 2 – Development Contributions' dated November 2007 and which is attached to this Agreement and marked with the letter "A" for identification but subject to amendments made pursuant to clause 4 of this Agreement.

Development Plan means a development plan approved by the Council pursuant to Schedule 23 to the Development Plan Overlay of the Planning Scheme.

Development Levy and Development Levies mean the amount or amounts determined in accordance with Table 5 of the Development Contributions Plan to be attributable to VicUrban.

Draft Development Plan means the document entitled *Aurora Development Plan: Part 2, June 2006* which was exhibited for information purposes with the Amendment.

Expected Yield means 18 Accommodation Units per hectare of the Net Developable Area of land which has been subdivided for urban purposes.

Infrastructure Project means any infrastructure project listed in the Development Contribution Plan.

Mortgagee means the person or persons registered or entitled from time to time to be registered by the Registrar of Titles as Mortgagee of the Subject Land or any part of it.



Net Developable Area has the same meaning as set out in the Development Contributions Plan.

New Lot means the following lot which will be created after the Approval Date:

- proposed Lot 6 on PS 608862E which is currently part of Lot 3 on PS 511685P and part of PC364273U.

Non-Road Projects means VicUrban Infrastructure Projects which are not Road Infrastructure Projects.

Open Space Land means unencumbered land to be set aside for active and passive open space purposes but does not include land which is required to or ought to be set aside for Conservation Purposes.

Owner means the person or persons registered or entitled from time to time to be registered by the Registrar of Titles as proprietor or proprietors of an estate in fee simple of the Subject Land or any part of it and includes a Mortgagee-in-possession.

party or parties means the Owner and Council under this Agreement as appropriate.

Planning Scheme means the Whittlesea Planning Scheme and any other planning scheme that applies to the Subject Land.

Plan of Subdivision means a plan of subdivision relating to the Subject Land which is not a procedural plan but a plan that upon registration creates an additional lot which can be disposed of separately and is intended to be used for a dwelling or which is intended to be re-subdivided.

Pro Rata Amount means $\text{Construction Cost} \times \text{Actual Yield/Expected Yield}$

Project Land means any land which is required for an Infrastructure Project excluding the Open Space Land and the Transport Corridor Land.

Road Infrastructure Projects means VicUrban Infrastructure Projects which involve the construction of roads or intersections.

Rawlinsons means the latest available edition of Rawlinsons Australian Construction Handbook.

Shared Cost Projects means VicUrban Infrastructure Projects in respect of which only part of the total Construction Cost is attributed to VicUrban in Table 5 of the Development Contributions Plan.

Subject Land means the land referred to or described in the Certificate(s) of Title set out in Schedule 1 to this Agreement and any reference to the Subject Land in this Agreement includes any lot created by the subdivision of the Subject Land or any part of it.

Transport Corridor Land means land required for the Infrastructure Project identified in Table 2 of the Development Contributions Plan as PT01, which is shown illustratively as 'Transit Corridor' in Figure 3 of the Development Contributions Plan.

VicUrban means the Victorian Urban Development Authority constituted under the *Victorian Urban Development Authority Act 2003*

VicUrban Amount means, for a VicUrban Infrastructure Project, the amount identified in column 3 of Table 5.



VicUrban Infrastructure Projects means Infrastructure Projects identified in Table 5 of the Development Contributions Plan as attributable, or partly attributable, to VicUrban.

Working Drawings means detailed architectural design plans including detailed structural, electrical, hydrological, mechanical and landscaping plans.

2. INTERPRETATION

In this Agreement unless the context admits otherwise:

- 2.1 The singular includes the plural and vice versa.
- 2.2 A reference to a gender includes a reference to each other gender.
- 2.3 A reference to a person includes a reference to a firm, corporation or other corporate body and that person's successors in law.
- 2.4 If a party consists of more than one person this Agreement binds them jointly and each of them severally.
- 2.5 A term used in this Agreement has its ordinary meaning unless that term is defined in this Agreement. If a term is not defined in this Agreement and it is defined in the Act it has the meaning as defined in the Act.
- 2.6 A reference to a clause is a reference to a clause in this Agreement.
- 2.7 A reference to a Schedule is a reference to a Schedule to this Agreement.
- 2.8 A reference to an Act, Regulation or the Planning Scheme includes any Acts, Regulations or amendments amending, consolidating or replacing the Act, Regulation or Planning Scheme.
- 2.9 The introductory clauses to this Agreement are and will be deemed to form part of this Agreement.
- 2.10 The obligations of the Owner under this Agreement, will take effect as separate and several covenants which are annexed to and run at law and equity with the Subject Land provided that if the Subject Land is subdivided, this Agreement must be read and applied so that each subsequent owner of a lot is only responsible for those covenants and obligations which relate to that owner's lot.

3. DEVELOPMENT CONTRIBUTIONS

The Owner and Council covenant and agree that:

3.1 Development Contributions

- 3.1.1 The Owner shall make development contributions to Council, to the value of the Development Levy, in respect each part of the Subject Land subdivided or developed for urban purposes. For the avoidance of doubt, where development contributions have been made upon the subdivision of any part of the Subject Land, no further contributions shall be made upon the development of that part of the Subject Land.
- 3.1.2 the development contributions made by the Owner pursuant to clause 3.1.1 shall be in the form of:

AF771740P

173

10/04/2008 187



- 3.1.2.1 transfer to Council of the Project Land and the Open Space Land in accordance with clause 3.2;
 - 3.1.2.2 transfer to the Department of Infrastructure of the Contribution Portion of the Transport Corridor Land in accordance with clause 3.3;
 - 3.1.2.3 construction and delivery of all Road Infrastructure Projects in accordance with clause 3.4; and
 - 3.1.2.4 in respect of Non-Road Projects, construction and delivery of projects in accordance with clause 3.5.2 or, if clause 3.5.7 applies, cash payments in accordance with clause 3.5.7.
- 3.1.3 the value of each development contribution identified in clause 3.1.2 shall be determined for the purposes of clause 3.1.1, in accordance with Table 5 of the Development Contributions Plan.

3.2 Open Space Land and Project Land transfers

- 3.2.1 the Owner must transfer to or vest in Council the amount of unencumbered Open Space Land (passive and active) specified in columns 11 and 12 of Table 4 of the Development Contributions Plan in respect of the Subject Land;
- 3.2.2 the location and distribution of the area of the active unencumbered Open Space Land specified in Table 4 of the Development Contributions Plan to be transferred to or vested in Council must be:
 - 3.2.2.1 in accordance with the Development Plan applying in respect of the Subject Land; and
 - 3.2.2.2 in accordance with section 4.2 of the Development Contributions Plan; and
 - 3.2.2.3 generally in accordance with Figure 4 of the Development Contributions Plan;
- 3.2.3 the location and distribution of the area of the passive unencumbered Open Space Land specified in Table 4 of the Development Contributions Plan to be transferred to or vested in Council must be consistent with the objectives and standards set out in clause 56 of the Planning Scheme;
- 3.2.4 if the Owner and Council agree that, to accord with the provisions of clause 56.05-2 of the Planning Scheme in relation to small parks, land should be provided for open space purposes which is additional to that specified in Table 4 of the Development Contributions Plan, the Owner will not be entitled to any credit or payment under this Agreement in respect of that additional land;
- 3.2.5 subject to this Agreement, the Owner must at a time specified in this Agreement, transfer to or vest in Council the Project Land;
- 3.2.6 any Project Land must be transferred to or vested in Council at such time that:

AF771740P

10/04/2008 \$187 173



- 3.2.6.1 the land is sought to be subdivided; or
- 3.2.6.2 at a time that approximately accords with the time set out in the Development Contributions Plan for the carrying out of the Infrastructure Project; and/or if there is no time specified
- 3.2.6.3 when Council advises the Owner in writing either as a condition of a planning permit or otherwise that the Project Land must be transferred to or vested in Council -

whichever is the earliest.

3.2.7 subject to clause 4, this Agreement fixes land values for Open Space Land and Project Land for the purposes of determining the land cost of any Infrastructure Project and paying compensation to the Owner in respect of any land required for any Infrastructure Project and for the purposes of giving effect to this Agreement, Council may to the extent that it is necessary to do so, impose on any relevant planning permit a condition providing that no compensation is payable under Part 5 of the Act in respect of anything done under the permit or setting out –

- 3.2.7.1 the circumstances in which compensation will be paid for anything done under the permit; and
- 3.2.7.2 the amount, or the method of determining the amount, of compensation payable;

3.3 Transport Corridor land

3.3.1 subject to this Agreement, the Owner must transfer to, or vest in, the Department of Infrastructure the Contribution Portion of the Transport Corridor Land at such time as the Department of Infrastructure advises the Owner in writing that the Transport Corridor Land is required.

3.3.2 the Council and the Owner acknowledge:

- 3.3.2.1 that the balance of the Transport Corridor Land will be acquired by the Department of Infrastructure by way of a separate agreement between the Owner and the Department of Infrastructure;
- 3.3.2.2 that the determination of appropriate compensation or consideration to be paid by the Department of Infrastructure for the acquisition of the balance of the Transport Corridor Land will also be the subject of the separate agreement between the Owner and the Department of Infrastructure.

3.4 Road Infrastructure Projects

3.4.1 the Owner shall construct and deliver the Road Infrastructure Projects in accordance with the times specified in column 10 of Table 5 of the Development Contributions Plan or at such other time as may be agreed in writing with Council having regard to the staging of the development.



3.5 Non-Road Projects

- 3.5.1 Non-Road Projects will, unless clause 3.5.7 applies, be provided by the Owner by way of construction and delivery of the Non-Road Project;
- 3.5.2 the Non-Road Projects delivered by the Owner shall:
 - 3.5.2.1 be delivered in accordance with the triggers specified in column 3 of Table 3 of the Development Contributions Plan;
 - 3.5.2.2 be consistent with the project description contained in column 3 of Table 2 of the Development Contributions Plan;
 - 3.5.2.3 subject to clause 3.5.8 contain the components listed in Schedule 3;
 - 3.5.2.4 accord with the Working Drawings determined pursuant to the design process contained in clauses 3.5.3 to 3.5.5 of this Agreement;
- 3.5.3 a design brief for each Non-Road Project shall be determined as follows:
 - 3.5.3.1 The Owner shall prepare a draft design brief for submission to Council;
 - 3.5.3.2 Council may provide to the Owner any comments it has in relation to the draft design brief, within 14 days of the date of its submission by the Owner;
 - 3.5.3.3 The Owner shall, having regard to any comments made by Council pursuant to clause 3.5.3.2 of this Agreement, prepare a final design brief for the Non-Road Project;
- 3.5.4 Concept Plans for each Non-Road Project shall be determined as follows:
 - 3.5.4.1 The Owner shall prepare Concept Plans for submission to the Council;
 - 3.5.4.2 Council may provide to the Owner any comments it has in relation to the Concept Plans, within 14 days of the date of their submission by the Owner;
 - 3.5.4.3 The Owner shall, having regard to any comments made by the Council pursuant to clause 3.5.4.2, prepare final Concept Plans for the Non-Road Project;
- 3.5.5 Working Drawings for each Non-Road Projects shall be determined as follows:
 - 3.5.5.1. The Owner shall engage an appropriately qualified professional to prepare Working Drawings for the Non-Road Project, in accordance with the Concept Plans prepared in accordance with clause 3.5.4;
 - 3.5.5.2. The Owner shall produce Working Drawings which demonstrate, to the satisfaction of the Council, that the Non-Road Project shall be fit for the purpose for which it is intended;
 - 3.5.5.3. Council shall, by the later of the following times, give notice to the Owner in relation to whether the Working Drawings are to the Council's satisfaction:

AF771740P

10/04/2008 \$187 173



- (a) 28 days from the date upon which the Working Drawings are submitted by the Owner; or
- (b) 7 days from the date of the first Ordinary Meeting of Council which is at least 14 days from the date upon which the Working Drawings are submitted by the Owner; and

3.5.5.4 If Council does not give notice within the time specified in clause 3.5.5.3, the Working Drawings shall be taken to be to the Council's satisfaction;

3.5.6 The Owner shall call for tenders for the construction of the Non-Road Project in accordance with the Working Drawings determined pursuant to clause 3.5.5 of this Agreement, and:

3.5.5.1. if the Owner receives a tender for the construction of the Non-Road Project for a cost which is no greater than the Construction Cost for that project – the Owner shall cause the Non-Road Project to be constructed and delivered in accordance with the Working Drawings determined pursuant to clause 3.5.5; or

3.5.5.2. if the Owner does not receive a tender for the construction of the Non-Road Project at a cost which is no greater than the Construction Cost for that project – the Owner may elect to either:

- (a) review the design of the Non-Road Project through the submission of amended Working Drawings pursuant to clause 3.5.5 of this Agreement; or
- (b) construct and deliver the Non-Road Project in accordance with the Working Drawings determined pursuant to clause 3.5.5.

3.5.7 If the trigger point for a Non-Road Project listed in Table 3 of the development Contributions Plan will not be reached, the development contribution in respect of that project shall be in the form of a cash payment calculated in accordance with the Pro Rata Amount.

3.5.8 The Owner agrees that:

3.5.5.3. in the course of the preparation of the working drawings under clause 3.5.5 of this Agreement, it shall retain a competent traffic engineer to advise whether each Community Activity Centre as identified in the Development Contributions Plan should be provided with up to an additional 10 car parking spaces,

3.5.5.4. if the traffic engineer considers that up to 10 additional car parking spaces should be provided, the working drawings must include those additional car parking spaces.



4. REVIEW OF DEVELOPMENT CONTRIBUTIONS PLAN

The parties agree that:

4.1 Adjustment of costs

4.1.1 On 1 July 2008 the Development Contributions Plan shall be reviewed so that the costings within the Development Contributions Plan which are current as at November 2005 are adjusted so as to be made current to 1

July 2008 and for that purpose the adjustment index shall be derived from the Rawlinsons Australian Construction Handbooks current between November 2005 and 1 July 2008.

4.1.2 On 1 July 2009 and on each year thereafter the Development Contributions Plan shall be reviewed to adjust construction costs either upwards or downwards by reference to an index derived from Rawlinsons.

4.2 Review of Development Contributions Plan

4.2.1 Every fifth year from the Approval Date Council shall, in consultation with VicUrban, review the Development Contributions Plan, including in relation to the costing detail of Infrastructure Projects, the triggers for the delivery of Infrastructure Projects, the sequencing of the delivery of Infrastructure Projects and the continued necessity for Infrastructure Projects;

4.2.2 Council may, following a review undertaken pursuant to clause 4.2.1 of this Agreement, propose an amendment to the Development Contributions Plan;

4.2.3 The Development Contributions Plan may be amended only with the written agreement of both Council and VicUrban.

5. OTHER SPECIFIC OBLIGATIONS OF VICURBAN

5.1 VicUrban agrees that notwithstanding the sale of the Subject Land or part thereof to a 3rd party, VicUrban will remain responsible for and must deliver each of the Infrastructure Projects that are located entirely within the Subject Land or that part of the Subject Land and that VicUrban must make and put in place any private contractual arrangements necessary between itself and the 3rd party that is required to give full effect to this obligation.

5.2 VicUrban will, in respect of any development contributions delivered pursuant to this Agreement, keep proper records and accounts in accordance with its obligations.

5.3 VicUrban agrees that, if it becomes the owner in fee simple of any part of the Additional Area:

5.3.1 VicUrban will notify Council's planning department of that drawing attention to this obligation in this Agreement;

5.3.2 the part of the Additional Area owned by VicUrban will become part of the Subject Land for the purposes of this Agreement;

5.3.3 VicUrban will consent to Council making application to the Registrar of Titles to make a recording of this Agreement in the Register on the Certificate of Title of the part of the Additional Area owned by VicUrban in accordance with section 181 of the Act.

5.4 VicUrban agrees that when the New Lot has been created and VicUrban has become the owner in fee simple of the New Lot:



- 5.4.1 VicUrban will notify Council's planning department of that drawing attention to this obligation in this Agreement;
 - 5.4.2 the New Lot owned by VicUrban will become part of the Subject Land for the purposes of this Agreement;
 - 5.4.3 VicUrban will consent to Council making application to the Registrar of Titles to make a recording of this Agreement in the Register on the Certificate of Title of the New Lot owned by VicUrban in accordance with section 181 of the Act.
- 5.5 VicUrban agrees that if, after using its best endeavours, Council is unable to reach an agreement with the Department of Education and Early Childhood Development under clause 6.7 of this Agreement:
- 5.5.1 VicUrban shall provide land for the 3rd Oval which shall, in combination with the 1st Oval be 7.2ha in area, or such lesser amount as may be agreed between the Council and VicUrban;
 - 5.5.2 if the 3rd Oval is provided and impacts on the land available for a Community Activity Centre, VicUrban must also offset the loss of land for the Community Activity Centre by providing sufficient replacement land or space within a building for the Community Activity Centre to Council's satisfaction;
 - 5.5.3 the land provided under clause 5.5.2 will not be offset against any other public open space land or obligations in this Agreement.

6. SPECIFIC OBLIGATIONS OF COUNCIL CONCERNING THE DEVELOPMENT CONTRIBUTIONS

Council agrees that:

- 6.1 it will, in respect of any development contributions received pursuant to this Agreement, keep proper records and accounts in accordance with its obligations under the *Local Government Act 1989*;
- 6.2 it will apply the Development Levies received pursuant to this Agreement for the purposes described in this Agreement;
- 6.3 it will deal with the funds received pursuant to this Agreement on the same basis as it deals with funds received under an Approved Development Contributions Plan;
- 6.4 it will utilise any cash contributions received pursuant to clause 3.5.7, within a reasonable time, to provide alternative infrastructure projects in the ADP2 Area;
- 6.5 the provisions of section 46Q of the Act apply with such adjustments as are necessary in the context of this Agreement;
- 6.6 in respect of each Shared Cost Project, it will pay to the Owner the difference between the Construction Cost and the VicUrban Amount:
 - 6.6.1.1 within 14 days of the Owner providing Council with a tax invoice for its proportion of any progress payment due under a contract in respect of that Shared Cost Project; or



6.6.1.2 at such other time as may be agreed between the parties in writing;

6.7 it will negotiate in good faith with the Department of Education and Early Childhood Development and use its best endeavours to secure a joint use agreement in terms which are acceptable to Council regarding the use of the 2nd Oval.

7. FURTHER OBLIGATIONS OF THE OWNER

7.1 Notice and Registration

The Owner further covenants and agrees that the Owner will bring this Agreement to the attention of all prospective purchasers, lessees, mortgagees, chargees, transferees and assigns.

7.2 Further actions

The Owner further covenants and agrees that:

7.2.1 the Owner will do all things necessary to give effect to this Agreement;

7.2.2 the Owner will consent to Council making application to the Registrar of Titles to make a recording of this Agreement in the Register on the Certificate of Title of the Subject Land in accordance with Section 181 of the Act and do all things necessary to enable Council to do so including signing any further agreement, acknowledgment or document or procuring the consent to this Agreement of any mortgagee or caveator to enable the recording to be made in the Register under that section.

7.3 Council's Costs to be Paid

The Owner further covenants and agrees that the Owner will immediately pay to Council, Council's reasonable costs and expenses (including legal expenses) of and incidental to the preparation, drafting, finalisation, engrossment, execution, registration and enforcement of this Agreement to a maximum of \$12,000 which are and until paid will remain a debt due to Council by the Owner.

8. AGREEMENT UNDER SECTION 173 OF THE ACT

Council and the Owner agree that without limiting or restricting the respective powers to enter into this Agreement and, insofar as it can be so treated, this Agreement is made as a Deed pursuant to Section 173 of the Act, and the obligations of the Owner under this Agreement are obligations to be performed by the Owner as conditions subject to which the Subject Land may be used and developed for specified purposes.

9. OWNER'S WARRANTIES

Without limiting the operation or effect which this Agreement has, the Owner warrants that apart from the Owner and any other person who has consented in writing to this Agreement, no other person has any interest, either legal or equitable, in the Subject Land which may be affected by this Agreement.



10. SUCCESSORS IN TITLE

Without limiting the operation or effect that this Agreement has, the Owner must ensure that, until such time as a memorandum of this Agreement is registered on the title to the Subject Land, successors in title shall be required to:

- 10.1 give effect to and do all acts and sign all documents which will require those successors to give effect to this Agreement; and
- 10.2 execute a deed agreeing to be bound by the terms of this Agreement.

11. GENERAL MATTERS

11.1 Notices

A notice or other communication required or permitted to be served by a party on another party must be in writing and may be served:

- 11.1.1 by delivering it personally to that party;
- 11.1.2 by sending it by prepaid post addressed to that party at the address set out in this Agreement or subsequently notified to each party from time to time; or
- 11.1.3 by sending it by facsimile provided that a communication sent by facsimile shall be confirmed immediately in writing by the sending party by hand delivery or prepaid post.

11.2 Service of Notice

A notice or other communication is deemed served:

- 11.2.1 if delivered, on the next following business day;
- 11.2.2 if posted, on the expiration of 7 business days after the date of posting; or
- 11.2.3 if sent by facsimile, on the next following business day unless the receiving party has requested retransmission before the end of that business day.

11.3 No Waiver

Any time or other indulgence granted by Council to the Owner or any variation of the terms and conditions of this Agreement or any judgment or order obtained by Council against the Owner will not in any way amount to a waiver of any of the rights or remedies of Council in relation to the terms of this Agreement.

11.4 Severability

If a court, arbitrator, tribunal or other competent authority determines that a word, phrase, sentence, paragraph or clause of this Agreement is unenforceable, illegal or void then it must be severed and the other provisions of this Agreement will remain operative.



11.5 No Fettering of Council's Powers

It is acknowledged and agreed that this Agreement does not fetter or restrict the power or discretion of Council to make any decision or impose any requirements or conditions in connection with the granting of any planning approval or certification of any plans of subdivision applicable to the Subject Land or relating to any use or development of the Subject Land.

11.6 Penalty for late payment

Any amount due under this Agreement but unpaid by the due date shall incur interest at the rate prescribed under section 172 of the *Local Government Act 1989* and any payment made shall be first directed to payment of interest and then the principal amount owing;

11.7 Lower order infrastructure

The development contributions which this Agreement provides for only relate to higher order infrastructure which are envisaged to be used by a broad cross section of the community and do not relate to the lower order infrastructure items described in Schedule 2 which must be provided by the Owner as part of the urban development of the Subject Land.

12. GOODS AND SERVICES TAX

- 12.1 In this clause words that are defined in *A New Tax System (Goods and Services Tax) Act 1999* have the same meaning as their definition in that Act.
- 12.2 Except as otherwise provided by this clause, all consideration payable under this Agreement in relation to any supply is exclusive of GST.
- 12.3 If GST is payable in respect of any supply made by a supplier under this Agreement, subject to clause 12.4 the recipient will pay to the supplier an amount equal to the GST payable on the supply at the same time and in the same manner as the consideration for the supply is to be provided under this Agreement.
- 12.4 The supplier must provide a tax invoice to the recipient before the supplier will be entitled to payment of the GST payable under clause 12.3.

13. COMMENCEMENT OF AGREEMENT

Unless otherwise provided in this Agreement, this Agreement commences from the Approval Date.

14. ENDING OF AGREEMENT

- 14.1 This Agreement ends:
- 14.1.1 when the Owner has complied with all of the obligations imposed on the Owner under this Agreement and both Council and the Owner agree that the Agreement can be removed from the title to the Subject Land; or
- 14.1.2 if Council has not, within 12 months of the date of this Agreement, approved a Development Plan which is substantially in accordance with the Draft Development Plan.

AF771740P

10/04/2008 187



14.2 If any part of the Subject Land is subdivided the Council and the Owner may agree that this Agreement is no longer required in relation to one or more particular allotments shown on the Plan of Subdivision and that:

14.2.1 the Agreement will end in relation to that allotment; and

14.2.2 a recording of the Agreement is not required to be registered on any subsequent certificate of title generated for that allotment.

14.3 As soon as reasonably practicable after the Agreement has ended, Council will, at the request and at the cost of the Owner make application to the Registrar of Titles under Section 183(2) of the Act to cancel the recording of this Agreement on the register.

SIGNED, SEALED AND DELIVERED as a Deed by the parties on the date set out at the commencement of this Agreement.

The Common Seal of the Whittlesea City Council was hereunto affixed in the presence of:

)
)
)


.....

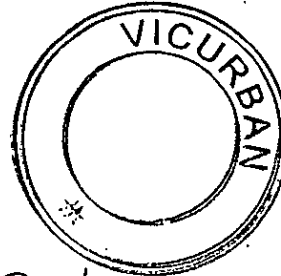
Chief Executive Officer

.....

Councillor

The Official Seal of **VICURBAN** is affixed in accordance with the *Victorian Urban Development Authority Act 2003* in the presence of:

)
)
)




.....

Chief Executive Officer


.....

General Manager



AF771740P



Schedule 1

Certificates of Title comprising the Subject Land

- Lot 1 on PS504599W ~ 10776.557
- That part of Lot 1 on PS518235K which is east of the Craigieburn Bypass ~ 9457.951
- That part of Lot 2 on PS518235K which is east of the Craigieburn Bypass 10799.539
- Lot 2 on PS510647D ~ 10728.557
- Lot 2 on PS518234M ~ 10716.293
- That part of Lot 1 on PS518234M which is east of the Craigieburn Bypass 8997.011
9457.951
- Lot 1 on PS113791 ~ 10102.491
- Lot 3 on PS113855 ~ 9075.530
- Lot 1 on PS141634 ~ 9497.457
- Lot 2 on PS141634 ~ 9497.258
- Lot 1 on Title Plan 821252F ~ 8816.666
- Lot 2 on PS096565 ~ 8957.491
- Lot B on PS449515L

Does not exist

INFORMATION ONLY

AF771740P

Schedule 2

Lower Order Infrastructure Items

Works not set out as an Infrastructure Project in the Development Contributions Plan include but are not limited to:

- all internal roads and associated traffic management measures except those specified as Infrastructure Projects;
- internal flood mitigation works;
- local drainage systems;
- main drainage works except those specified as Infrastructure Projects;
- water, sewerage, underground power, gas and telecommunications services;
- local pathways and connections to the regional or district pathway network;
- basic levelling, water tapping and landscaping of public open space except those specified as Infrastructure Projects; and
- public open space reserve masterplans and any agreed associated works.

Schedule 3

Specifications for Non-Road Projects

AF771740P

10/04/2008 \$187 173



INFORMATION ONLY



PROWSE QUANTITY SURVEYORS PTY LTD

AF771740P



ABN 83 097 049 548
 Suite 8, 13 - 25 Church Street,
 Hawthorn, Victoria 3122
 Tel: (03) 9852 7811
 Fax: (03) 9852 7044
 www.prowseqs.com.au
 Email: info@prowseqs.com.au

23 August 2007

Ref: 4605-06

Vicurban
 Level 12, 700 Collins Street
 Docklands Vic 3008

Attention: Mr. T. Della Bosca

Dear Theo,

**RE: PROPOSED NEW RECREATION AND COMMUNITY FACILITIES
 AURORA – EPPING NORTH (REVISION U)**

As requested, we have prepared a cost plan at Stage A for the above project, based on information received by us up to 23 August 2007.

Our estimate of the anticipated total cost is \$21,440,000 for a fixed price contract at November 2005 cost levels and a summary follows:

South West Football/Cricket Facility	\$ 2,600,000
Norther P-12 Football/Cricket Oval (No Pavilion)	\$ 720,000
Central P-6 Football/Cricket oval (No Pavilion)	\$ 430,000
Central Soccer Facility	\$ 1,880,000
North West Soccer Facility	\$ 1,880,000
Eastern Tennis Court Facility	\$ 920,000
Northern P-12 Tennis Court Facility (No Pavilion)	\$ 360,000
Bocce Rink Facility x 4 (No Pavilion)	\$ 100,000
Northern P-12 Single Court School Gym Upgrade	\$ 2,270,000
Central P-6 Single Court School Gymnasium	\$ 1,000,000
NorthWest P-6 Single Court School Gymnasium	\$ 1,000,000
Free Standing Lawn Bowls (No Pavilion)	\$ 300,000
Creeds Farm Community Childcare (to be advised)	\$ -
Harvest Home Road CAC (Early Childhood Focus)	\$ 3,870,000
Northern P-12 CAC (General Focus)	\$ 2,420,000
South Town Centre CAC (Skills, Training and Resources)	\$ 1,690,000

Anticipated Total Project Cost (including GST)	\$ 21,440,000
(Fixed Price Contract – November 2005)	

MANAGING DIRECTOR: Anthony Prowse Dip QS (Dist) (RMIT) AAIQS ICECA
 ASSOCIATE DIRECTORS: Douglas Buchanan B Sc QS MRICS Neville Cambridge B C Eco (RMIT) AAIQS ICECA
 Vincent Lau B App Sc C Mgt (Hons) (RMIT) AAIQS ICECA

AF771740P

10/04/2008 \$187 173



-2-

Allowances for the following have been included in our estimate:

- Preliminaries and Design variable
- Cost escalation to a tender date of November 2005
- Cost escalation during construction
- Competitive tendering
- Contract contingency
- Professional fees
- Soft landscaping

Allowances for the following have been excluded from our estimate:

- Goods & Services Tax
- Loose furniture and equipment
- Cost escalation to tender after November 2005
- Adverse market conditions
- Authority contribution and headwork charges
- Abnormal ground conditions
- Infrastructure works including roadworks and major services
- Costs escalation associated with staged construction

This estimate is based on preliminary information. Assumptions have been made and these assumptions will require confirmation when further documentation becomes available.

We have attached a copy of our Stage A cost plan for your information.

Yours faithfully
PROWSE QUANTITY SURVEYORS PTY LTD



VINCENT LAU



PROWSE QUANTITY SURVEYORS PTY LTD
 ABN 83 097 049 548 ACN 097 049 548

PROPOSED NEW COMMUNITY FACILITIES - AURORA NTH EPPING
SUMMARY OF FACILITIES

JOB 4605
 DATE 23/08/2007

CLIENT: VicUrban

REF U/1

ELEM	DESCRIPTION	UNIT	COST (\$)	COST (\$)	COST (\$)
U/3A	South West Football / Cricket Facility Inc. pavilion, assoc. site wks, ext services etc	ITEM			1,150,000
U/3B	Inc. 2 senior ovals	ITEM			1,220,000
	Assoc. site works, external services	ITEM			230,000
	Northern P-12 Football / Cricket Oval (No Pavilion)				
U/4	Inc. one senior oval	ITEM			620,000
	Assoc. site works, external services	ITEM			100,000
U/5	Central P-6 Football/Cricket Oval (No Pavilion) Includes 1 junior oval, site wks, ext services etc	ITEM			430,000
	Central Soccer Facility				
U/6A	Inc. pavilion, assoc. site wks, ext services etc	ITEM			840,000
U/6B	Inc. 2 soccer pitches	ITEM			830,000
	Assoc. site works, external services	ITEM			210,000
	North West Soccer Facility				
U/7A	Inc. pavilion, assoc. site wks, ext services etc	ITEM			840,000
U/7B	Inc. 2 soccer pitches	ITEM			830,000
	Assoc. site works, external services	ITEM			210,000
	Eastern Tennis Court Facility				
U/8A	Inc. pavilion, assoc. site wks, ext services etc	ITEM			430,000
U/8B	Inc. 4 tennis courts	ITEM			370,000
	Assoc. site works, external services	ITEM			120,000
U/8C	Northern P-12 Tennis Court Facility (No Pavilion) Inc 4 tennis courts, site wks, ext services etc	ITEM			360,000
	Bocce Rink Facility x4 (No pavilion)	ITEM			100,000
U/9A	Northern P-12 Single Court School Gym Upgrade Upgrade of a standard DE&T basketball court to a double netball size court. Includes on costs	ITEM			2,270,000
U/9B	Northern P-12 Single Court School Gym Upgrade Upgrade of a standard DE&T basketball court to a netball size court. Includes on costs (\$320,000)	ITEM			-
U/10A	Central P-6 Single Court School Gymnasium Includes one internal netball court, change rooms, amenities, site wks, ext services, less DE&T funds	ITEM			1,000,000
U/10B	North West P-6 Single Court School Gymnasium Includes one internal netball court, change rooms, amenities, site wks, ext services, less DE&T funds	ITEM			1,000,000
	Free Standing Lawn Bowls (No pavilion)	ITEM			300,000
	Total Recreation Cost	ITEM			13,460,000

10/04/2008 \$187
AF7771740P
 173



PROWSE QUANTITY SURVEYORS PTY LTD
 ABN 83 097 049 548 ACN 097 049 548

PROPOSED NEW COMMUNITY FACILITIES - AURORA NTH EPPING
SUMMARY OF FACILITIES

JOB 4605
 DATE 23/08/2007

CLIENT: VicUrban

REF U/2

ELEM	DESCRIPTION	UNIT	QUANTITY	RATE (\$)	COST (\$)
	Creeds Farm Community Childcare To be advised	ITEM			TBA
U/11A	Harvest Home Road CAC (Early Childhood Focus) Community activity centre including kitchens, meeting rooms, amenities, ADASS, site works, external services and on costs	ITEM			2,200,000
U/11B	Community activity centre including MCH, pre-school, site works and external services	ITEM			1,670,000
U/12A	Northern P-12 CAC (General Focus) Community activity centre including kitchens, meeting rooms, amenities, ADASS, site works, external services and on costs	ITEM			750,000
U/12B	Community activity centre including MCH, pre-school, site works and external services	ITEM			1,670,000
U/13	Sth Town Centre CAC (Skills, Training, Resources) Community activity centre includes multi purpose rooms, kitchens, amenities, neighbourhood house, fine arts, performing space, site works, external services and on costs	ITEM			1,690,000
	Total Community Cost	ITEM			7,980,000

	Total Recreation Cost (From Above)	ITEM			13,460,000
--	---	------	--	--	------------

	TOTAL PROJECT COST - AURORA COMMUNITY INFRASTRUCTURE (Fixed Price Contract - November 2005)				21,440,000
--	---	--	--	--	------------

AF771740P

10/04/2008 \$187 173





PROWSE QUANTITY SURVEYORS PTY LTD
 ABN 83 097 049 548 ACN 097 049 548

**PROPOSED NEW COMMUNITY FACILITIES - AURORA NTH EPPING
 SOUTH WEST FOOTBALL / CRICKET FACILITY**

JOB 4605
 DATE 23/08/2007
 FECA 420
 UCA 200
 REF U/3A

CLIENT: VicUrban

ELEM	DESCRIPTION	UNIT	QUANTITY	RATE (\$)	COST (\$)
	Football / Cricket Ovals and Pavilion				
	Change rooms (in 4 No)	(FECA) M2	160	1,600	256,000
	Umpires change room	(FECA) M2	30	1,900	57,000
	Toilet facilities	(FECA) M2	120	2,100	252,000
	Canteen	(FECA) M2	30	2,000	60,000
	Meeting / function room	(FECA) M2	-	-	-
	Storage facilities	(FECA) M2	30	1,300	39,000
	Office / first aid	(FECA) M2	20	1,600	32,000
	Internal / external toilets	(FECA) M2	30	2,100	63,000
	Verandahs & canopies	(UCA) M2	200	600	120,000
	Site Works and External Services				
	Site preparation & demolition	ITEM			5,000
	Roads, footpaths and paved areas	ITEM			8,000
	Boundary walls, fences and gates	ITEM			4,000
	Outbuildings and covered ways (Nil)	ITEM			-
	Landscaping and Improvements	ITEM			8,000
	External stormwater drainage	ITEM			10,000
	External sewer drainage	ITEM			4,000
	External water supply	ITEM			2,000
	External gas reticulation	ITEM			1,000
	External fire protection	ITEM			2,000
	External light & power	ITEM			15,000
	External communications	ITEM			1,000
	Balance of funds	ITEM			5,000

SUB-TOTAL				\$	944,000
PRELIMINARIES (Included Above)	-	%		\$	-
DESIGN VARIABLE	5.00	%		\$	47,000
COST ESCALATION TO TENDER	-	%		\$	-
COST ESCALATION DURING CONSTRUCTION	2.00	%		\$	20,000
CONTRACT CONTINGENCY	2.50	%		\$	25,000
PROFESSIONAL FEES	11.00	%		\$	114,000
LOOSE FURNITURE & EQUIPMENT (Excluded)		ITEM		\$	-
ANTICIPATED TOTAL PROJECT COST (Excluding GST)				\$	1,150,000
(Fixed Price Contract - November 2005)					

AF771740P
 10/04/2008 \$187 173



PROWSE QUANTITY SURVEYORS PTY LTD
 ABN 83 097 049 548 ACN 097 049 548

**PROPOSED NEW COMMUNITY FACILITIES - AURORA NTH EPPING
 SOUTH WEST FOOTBALL / CRICKET FACILITY**

JOB 4605
 DATE 23/08/2007
 FECA -
 UCA -
 REF U/3B

CLIENT: VicUrban

ELEM	DESCRIPTION	UNIT	QUANTITY	RATE (\$)	COST (\$)
	Oval Works				
	Senior Ovals (16,000m2, Approx 165x130m)	No	2	360,000	720,000
	Training lights (2 No ovals)	No	2	30,000	60,000
	Car parking (60 spaces)	M2	1,800	100	180,000
	Carparking - Gravel (60 cars)	M2	1,800	25	45,000
	Balance of funds	ITEM			(4,000)

SUB-TOTAL					\$ 1,001,000
PRELIMINARIES (Included Above)	-	%			\$ -
DESIGN VARIABLE	5.00	%			\$ 50,000
COST ESCALATION TO TENDER	-	%			\$ -
COST ESCALATION DURING CONSTRUCTION	2.00	%			\$ 21,000
CONTRACT CONTINGENCY	2.50	%			\$ 27,000
PROFESSIONAL FEES	11.00	%			\$ 121,000
LOOSE FURNITURE & EQUIPMENT (Excluded)	ITEM				\$ -
ANTICIPATED TOTAL PROJECT COST (Excluding GST)					<u>\$ 1,220,000</u>
(Fixed Price Contract - November 2005)					

ELEM	DESCRIPTION	UNIT	QUANTITY	RATE (\$)	COST (\$)
	Site Works and External Services				
	Site preparation & demolition	ITEM			20,000
	Roads, footpaths and paved areas	ITEM			32,000
	Boundary walls, fences and gates	ITEM			16,000
	Outbuildings and covered ways (Nil)	ITEM			-
	Landscaping and Improvements	ITEM			32,000
	External stormwater drainage	ITEM			32,000
	External sewer drainage	ITEM			16,000
	External water supply	ITEM			8,000
	External gas reticulation	ITEM			4,000
	External fire protection	ITEM			8,000
	External light & power	ITEM			20,000
	External communications	ITEM			4,000
	Balance of funds	ITEM			(3,000)

SUB-TOTAL					\$ 189,000
PRELIMINARIES (Included Above)	-	%			\$ -
DESIGN VARIABLE	5.00	%			\$ 9,000
COST ESCALATION TO TENDER	-	%			\$ -
COST ESCALATION DURING CONSTRUCTION	2.00	%			\$ 4,000
CONTRACT CONTINGENCY	2.50	%			\$ 5,000
PROFESSIONAL FEES	11.00	%			\$ 23,000
LOOSE FURNITURE & EQUIPMENT (Excluded)	ITEM				\$ -
ANTICIPATED TOTAL PROJECT COST (Excluding GST)					<u>\$ 230,000</u>
(Fixed Price Contract - November 2005)					

AF771740P

10/04/2008 \$187 173





PROWSE QUANTITY SURVEYORS PTY LTD

ABN 83 097 049 548 ACN 097 049 548

PROPOSED NEW COMMUNITY FACILITIES - AURORA NTH EPPING
NORTHERN P-12 FOOTBALL / CRICKET OVAL
 Pavilion Not Provided

JOB 4605
 DATE 23/08/2007
 FECA -
 UCA -
 REF U/4

CLIENT: VicUrban

ELEM	DESCRIPTION	UNIT	QUANTITY	RATE (\$)	COST (\$)
	Oval Works				
	Senior Ovals (16,000m2, Approx 165x130m)	No	1	480,000	480,000
	Training lights (1 No oval)	No	1	30,000	30,000
	Car parking (Not Required)	ITEM			-
	Credit for D.E. & T. funds for oval (Nil)	ITEM			-
	Balance of funds	ITEM			(1,000)

SUB-TOTAL					\$ 509,000
PRELIMINARIES (Included Above)	- %			\$	-
DESIGN VARIABLE	5.00 %			\$	25,000
COST ESCALATION TO TENDER	- %			\$	-
COST ESCALATION DURING CONSTRUCTION	2.00 %			\$	11,000
CONTRACT CONTINGENCY	2.50 %			\$	14,000
PROFESSIONAL FEES	11.00 %			\$	61,000
LOOSE FURNITURE & EQUIPMENT (Excluded)	ITEM			\$	-
ANTICIPATED TOTAL PROJECT COST (Excluding GST)				\$	620,000

(Fixed Price Contract - November 2005)

ELEM	DESCRIPTION	UNIT	QUANTITY	RATE (\$)	COST (\$)
	Site Works and External Services				
	Site preparation & demolition	ITEM			15,000
	Roads, footpaths and paved areas	ITEM			20,000
	Boundary walls, fences and gates	ITEM			10,000
	Outbuildings and covered ways (Nil)	ITEM			-
	Landscaping and Improvements	ITEM			10,000
	External stormwater drainage	ITEM			15,000
	External sewer drainage (Nil)	ITEM			-
	External water supply	ITEM			2,000
	External gas reticulation (Nil)	ITEM			-
	External fire protection (Nil)	ITEM			-
	External light & power	ITEM			10,000
	External communications	ITEM			1,000
	Balance of funds	ITEM			(1,000)

SUB-TOTAL					\$ 82,000
PRELIMINARIES (Included Above)	- %			\$	-
DESIGN VARIABLE	5.00 %			\$	4,000
COST ESCALATION TO TENDER	- %			\$	-
COST ESCALATION DURING CONSTRUCTION	2.00 %			\$	2,000
CONTRACT CONTINGENCY	2.50 %			\$	2,000
PROFESSIONAL FEES	11.00 %			\$	10,000
LOOSE FURNITURE & EQUIPMENT (Excluded)	ITEM			\$	-
ANTICIPATED TOTAL PROJECT COST (Excluding GST)				\$	100,000

(Fixed Price Contract - November 2005)

AF771740P

10/04/2008 - \$187 173





PROWSE QUANTITY SURVEYORS PTY LTD
 ABN 83 097 049 548 ACN 097 049 548

**PROPOSED NEW COMMUNITY FACILITIES - AURORA NTH EPPING
 CENTRAL P-6 FOOTBALL / CRICKET OVAL**

JOB 4605
 DATE 23/08/2007
 FECA -
 UCA -
 REF U/5

CLIENT: VicUrban

ELEM	DESCRIPTION	UNIT	QUANTITY	RATE (\$)	COST (\$)
	Football / Cricket Pavilion (Not Provided)				
	Change rooms (FECA)	M2	-	-	-
	Umpires change room (FECA)	M2	-	-	-
	Toilet facilities (FECA)	M2	-	-	-
	Canteen (FECA)	M2	-	-	-
	Meeting / function room (FECA)	M2	-	-	-
	Storage facilities (FECA)	M2	-	-	-
	Verandahs & canopies (UCA)	M2	-	-	-
	Oval Works				
	Junior Oval (12,000m2, Approx 140x110m)	No	1	240,000	240,000
	Training lights (1 No oval)	No	1	30,000	30,000
	Car parking (Not Required)	ITEM			-
	Credit for D.E. & T. funds for oval (Nil)	ITEM			-
	Site Works and External Services				
	Site preparation & demolition	ITEM			15,000
	Roads, footpaths and paved areas	ITEM			20,000
	Boundary walls, fences and gates	ITEM			10,000
	Outbuildings and covered ways (Nil)	ITEM			-
	Landscaping and Improvements	ITEM			10,000
	External stormwater drainage	ITEM			15,000
	External sewer drainage (Nil)	ITEM			-
	External water supply	ITEM			2,000
	External gas reticulation (Nil)	ITEM			-
	External fire protection (Nil)	ITEM			-
	External light & power	ITEM			10,000
	External communications	ITEM			1,000
	Balance of funds	ITEM			-

SUB-TOTAL				\$	353,000
PRELIMINARIES (Included Above)	-	%		\$	-
DESIGN VARIABLE	5.00	%		\$	18,000
COST ESCALATION TO TENDER	-	%		\$	-
COST ESCALATION DURING CONSTRUCTION	2.00	%		\$	7,000
CONTRACT CONTINGENCY	2.50	%		\$	9,000
PROFESSIONAL FEES	11.00	%		\$	43,000
LOOSE FURNITURE & EQUIPMENT (Excluded)	ITEM			\$	-

ANTICIPATED TOTAL PROJECT COST (Excluding GST) \$ **430,000**
 (Fixed Price Contract - November 2005)

AF771740P





PROWSE QUANTITY SURVEYORS PTY LTD
 ABN 83 097 049 548 ACN 097 049 548

**PROPOSED NEW COMMUNITY FACILITIES - AURORA NTH EPPING
 CENTRAL SOCCER FACILITY**

JOB 4605
 DATE 23/08/2007
 FECA 355
 UCA 80
 REF U/6A

CLIENT: VicUrban

ELEM	DESCRIPTION	UNIT	QUANTITY	RATE (\$)	COST (\$)
	Soccer Pitches and Pavilion				
	Change room (in 4 No)	(FECA) M2	120	1,600	192,000
	Umpires change room	(FECA) M2	15	1,900	28,500
	Toilet facilities	(FECA) M2	40	2,100	84,000
	Canteen	(FECA) M2	30	2,000	60,000
	Meeting / function room	(FECA) M2	120	1,600	192,000
	Storage facilities	(FECA) M2	30	1,300	39,000
	Verandahs and canopies	(UCA) M2	80	600	48,000
	Site Works and External Services				
	Site preparation & demolition	ITEM			5,000
	Roads, footpaths and paved areas	ITEM			6,000
	Boundary walls, fences and gates	ITEM			4,000
	Outbuildings and covered ways (Nil)	ITEM			-
	Landscaping and Improvements	ITEM			8,000
	External stormwater drainage	ITEM			6,000
	External sewer drainage	ITEM			4,000
	External water supply	ITEM			2,000
	External gas reticulation	ITEM			1,000
	External fire protection	ITEM			2,000
	External light & power	ITEM			5,000
	External communications	ITEM			1,000
	Balance of funds	ITEM			1,500

SUB-TOTAL \$ **689,000**

PRELIMINARIES (Included Above)	- %	\$ -
DESIGN VARIABLE	5.00 %	\$ 34,000
COST ESCALATION TO TENDER	- %	\$ -
COST ESCALATION DURING CONSTRUCTION	2.00 %	\$ 14,000
CONTRACT CONTINGENCY	2.50 %	\$ 18,000
PROFESSIONAL FEES	11.00 %	\$ 85,000
LOOSE FURNITURE & EQUIPMENT (Excluded)	ITEM	\$ -

ANTICIPATED TOTAL PROJECT COST (Excluding GST) \$ **840,000**

(Fixed Price Contract - November 2005)

AF771740P

10/04/2008 \$187 173





PROWSE QUANTITY SURVEYORS PTY LTD

ABN 83 097 049 548 ACN 097 049 548

**PROPOSED NEW COMMUNITY FACILITIES - AURORA NTH EPPING
CENTRAL SOCCER FACILITY.**

JOB 4605
DATE 23/08/2007
FECA -
UCA -
REF U/6B

CLIENT: VicUrban

ELEM	DESCRIPTION	UNIT	QUANTITY	RATE (\$)	COST (\$)
	Oval Works				
	Soccer pitches (8,000m2, Approx 120x60m)	No	2	250,000	500,000
	Training lights (2 No pitches)	No	2	30,000	60,000
	Car parking (40 spaces)	M2	1,200	100	120,000
	Balance of funds	ITEM			2,000

SUB-TOTAL					\$ 682,000
PRELIMINARIES (Included Above)	- %			\$	-
DESIGN VARIABLE	5.00 %			\$	34,000
COST ESCALATION TO TENDER	- %			\$	-
COST ESCALATION DURING CONSTRUCTION	2.00 %			\$	14,000
CONTRACT CONTINGENCY	2.50 %			\$	18,000
PROFESSIONAL FEES	11.00 %			\$	82,000
LOOSE FURNITURE & EQUIPMENT (Excluded)	ITEM			\$	-
ANTICIPATED TOTAL PROJECT COST (Excluding GST)					\$ 830,000

(Fixed Price Contract - November 2005)

ELEM	DESCRIPTION	UNIT	QUANTITY	RATE (\$)	COST (\$)
	Site Works and External Services				
	Site preparation & demolition	ITEM			20,000
	Roads, footpaths and paved areas	ITEM			24,000
	Boundary walls, fences and gates	ITEM			16,000
	Outbuildings and covered ways (Nil)	ITEM			-
	Landscaping and Improvements	ITEM			32,000
	External stormwater drainage	ITEM			24,000
	External sewer drainage	ITEM			16,000
	External water supply	ITEM			8,000
	External gas reticulation	ITEM			4,000
	External fire protection	ITEM			8,000
	External light & power	ITEM			20,000
	External communications	ITEM			4,000
	Balance of funds	ITEM			(5,000)

SUB-TOTAL					\$ 171,000
PRELIMINARIES (Included Above)	- %			\$	-
DESIGN VARIABLE	5.00 %			\$	9,000
COST ESCALATION TO TENDER	- %			\$	-
COST ESCALATION DURING CONSTRUCTION	2.00 %			\$	4,000
CONTRACT CONTINGENCY	2.50 %			\$	5,000
PROFESSIONAL FEES	11.00 %			\$	21,000
LOOSE FURNITURE & EQUIPMENT (Excluded)	ITEM			\$	-
ANTICIPATED TOTAL PROJECT COST (Excluding GST)					\$ 210,000

(Fixed Price Contract - November 2005)

AF771740P

10/04/2008 \$187 173





PROWSE QUANTITY SURVEYORS PTY LTD
 ABN 83 097 049 548 ACN 097 049 548

PROPOSED NEW COMMUNITY FACILITIES - AURORA NTH EPPING
NORTH WEST SOCCER FACILITY

JOB 4605
 DATE 23/08/2007
 FECA 355
 UCA 80
 REF U7A

CLIENT: VicUrban

ELEM	DESCRIPTION	UNIT	QUANTITY	RATE (\$)	COST (\$)
Soccer Pitches and Pavilion					
	Change room (in 4 No)	(FECA) M2	120	1,600	192,000
	Umpires change room	(FECA) M2	15	1,900	28,500
	Toilet facilities	(FECA) M2	40	2,100	84,000
	Canteen	(FECA) M2	30	2,000	60,000
	Meeting / function room	(FECA) M2	120	1,600	192,000
	Storage facilities	(FECA) M2	30	1,300	39,000
	Verandahs and canopies	(UCA) M2	80	600	48,000
Site Works and External Services					
	Site preparation & demolition	ITEM			5,000
	Roads, footpaths and paved areas	ITEM			6,000
	Boundary walls, fences and gates	ITEM			4,000
	Outbuildings and covered ways (Nil)	ITEM			-
	Landscaping and Improvements	ITEM			8,000
	External stormwater drainage	ITEM			6,000
	External sewer drainage	ITEM			4,000
	External water supply	ITEM			2,000
	External gas reticulation	ITEM			1,000
	External fire protection	ITEM			2,000
	External light & power	ITEM			5,000
	External communications	ITEM			1,000
	Balance of funds	ITEM			1,500

SUB-TOTAL \$ **689,000**

PRELIMINARIES (Included Above)	- %	\$ -
DESIGN VARIABLE	5.00 %	\$ 34,000
COST ESCALATION TO TENDER	- %	\$ -
COST ESCALATION DURING CONSTRUCTION	2.00 %	\$ 14,000
CONTRACT CONTINGENCY	2.50 %	\$ 18,000
PROFESSIONAL FEES	11.00 %	\$ 85,000
LOOSE FURNITURE & EQUIPMENT (Excluded)	ITEM	\$ -

ANTICIPATED TOTAL PROJECT COST (Excluding GST) \$ **840,000**

(Fixed Price Contract - November 2005)

AF771740P





PROWSE QUANTITY SURVEYORS PTY LTD
 ABN 83 097 049 548 ACN 097 049 548

PROPOSED NEW COMMUNITY FACILITIES - AURORA NTH EPPING
NORTH WEST SOCCER FACILITY

JOB 4605
 DATE 23/08/2007
 FECA -
 UCA -
 REF U/7B

CLIENT: VicUrban

ELEM	DESCRIPTION	UNIT	QUANTITY	RATE (\$)	COST (\$)
	Oval Works				
	Soccer pitches (8,000m2, Approx 120x60m)	No	2	250,000	500,000
	Training lights (2 No pitches)	No	2	30,000	60,000
	Car parking (40 spaces)	M2	1,200	100	120,000
	Balance of funds	ITEM			2,000

SUB-TOTAL					\$ 682,000
PRELIMINARIES (Included Above)	- %				\$ -
DESIGN VARIABLE	5.00 %				\$ 34,000
COST ESCALATION TO TENDER	- %				\$ -
COST ESCALATION DURING CONSTRUCTION	2.00 %				\$ 14,000
CONTRACT CONTINGENCY	2.50 %				\$ 18,000
PROFESSIONAL FEES	11.00 %				\$ 82,000
LOOSE FURNITURE & EQUIPMENT (Excluded)	ITEM				\$ -
ANTICIPATED TOTAL PROJECT COST (Excluding GST)					\$ 830,000
(Fixed Price Contract - November 2005)					

ELEM	DESCRIPTION	UNIT	QUANTITY	RATE (\$)	COST (\$)
	Site Works and External Services				
	Site preparation & demolition	ITEM			20,000
	Roads, footpaths and paved areas	ITEM			24,000
	Boundary walls, fences and gates	ITEM			16,000
	Outbuildings and covered ways (Nil)	ITEM			-
	Landscaping and Improvements	ITEM			32,000
	External stormwater drainage	ITEM			24,000
	External sewer drainage	ITEM			16,000
	External water supply	ITEM			8,000
	External gas reticulation	ITEM			4,000
	External fire protection	ITEM			8,000
	External light & power	ITEM			20,000
	External communications	ITEM			4,000
	Balance of funds	ITEM			(5,000)

SUB-TOTAL					\$ 171,000
PRELIMINARIES (Included Above)	- %				\$ -
DESIGN VARIABLE	5.00 %				\$ 9,000
COST ESCALATION TO TENDER	- %				\$ -
COST ESCALATION DURING CONSTRUCTION	2.00 %				\$ 4,000
CONTRACT CONTINGENCY	2.50 %				\$ 5,000
PROFESSIONAL FEES	11.00 %				\$ 21,000
LOOSE FURNITURE & EQUIPMENT (Excluded)	ITEM				\$ -
ANTICIPATED TOTAL PROJECT COST (Excluding GST)					\$ 210,000
(Fixed Price Contract - November 2005)					

AF771740P

10/04/2008 \$187 173





PROWSE QUANTITY SURVEYORS PTY LTD

ABN 83 097 049 548 ACN 097 049 548

**PROPOSED NEW COMMUNITY FACILITIES - AURORA NTH EPPING
EASTERN TENNIS COURT FACILITY**

JOB 4605
DATE 23/08/2007
FECA 190
UCA -
REF U/8A

CLIENT: VicUrban

ELEM	DESCRIPTION	UNIT	QUANTITY	RATE (\$)	COST (\$)
	Tennis Pavilion				
	Change rooms (in 2 No)	(FECA) M2	60	1,600	96,000
	Umpires change room	(FECA) M2	-	1,900	-
	Toilet facilities	(FECA) M2	-	2,100	-
	Canteen	(FECA) M2	30	2,000	60,000
	Meeting / function room (Excluded)	(FECA) M2	-	-	-
	Storage facilities	(FECA) M2	20	1,300	26,000
	Office / first aid	(FECA) M2	20	1,600	32,000
	Internal / external toilets	(FECA) M2	40	2,100	84,000
	Circulation	(FECA) M2	20	1,300	26,000
	Verandahs & canopies	(UCA) M2	-	600	-
	Site Works & External Services				
	Site preparation & demolition	ITEM			3,000
	Roads, footpaths and paved areas	ITEM			4,000
	Boundary walls, fences and gates	ITEM			2,000
	Outbuildings and covered ways (Nil)	ITEM			-
	Landscaping and Improvements	ITEM			4,000
	External stormwater drainage	ITEM			6,000
	External sewer drainage	ITEM			2,000
	External water supply	ITEM			1,000
	External gas reticulation	ITEM			1,000
	External fire protection	ITEM			1,000
	External light & power	ITEM			6,000
	External communications	ITEM			400
	Balance of funds	ITEM			(1,400)

SUB-TOTAL \$ **353,000**

PRELIMINARIES (Included Above)	- %	\$ -
DESIGN VARIABLE	5.00 %	\$ 18,000
COST ESCALATION TO TENDER	- %	\$ -
COST ESCALATION DURING CONSTRUCTION	2.00 %	\$ 7,000
CONTRACT CONTINGENCY	2.50 %	\$ 9,000
PROFESSIONAL FEES	11.00 %	\$ 43,000
LOOSE FURNITURE & EQUIPMENT (Excluded)	ITEM	\$ -

ANTICIPATED TOTAL PROJECT COST (Excluding GST) \$ **430,000**

(Fixed Price Contract - November 2005)

AF771740P



AF771740P

10/04/2008 \$187 173



Note - carparking on next page

INFORMATION ONLY



PROWSE QUANTITY SURVEYORS PTY LTD

ABN 83 097 049 548 ACN 097 049 548

**PROPOSED NEW COMMUNITY FACILITIES - AURORA NTH EPPING
EASTERN TENNIS COURT FACILITY**

JOB 4605
DATE 23/08/2007
FECA -
UCA -
REF U/8B

CLIENT: VicUrban

ELEM	DESCRIPTION	UNIT	QUANTITY	RATE (\$)	COST (\$)
	Tennis Courts				
	Tennis courts (4 No courts)	No	4	50,000	200,000
	Playing lights (4 No courts)	No	4	10,000	40,000
	Car parking (20 No spaces)	M2	600	100	60,000
	Balance of funds	ITEM			4,000

SUB-TOTAL					\$ 304,000
PRELIMINARIES (Included Above)	- %				\$ -
DESIGN VARIABLE	5.00 %				\$ 15,000
COST ESCALATION TO TENDER	- %				\$ -
COST ESCALATION DURING CONSTRUCTION	2.00 %				\$ 6,000
CONTRACT CONTINGENCY	2.50 %				\$ 8,000
PROFESSIONAL FEES	11.00 %				\$ 37,000
LOOSE FURNITURE & EQUIPMENT (Excluded)	ITEM				\$ -
ANTICIPATED TOTAL PROJECT COST (Excluding GST)					\$ 370,000

(Fixed Price Contract - November 2005)

ELEM	DESCRIPTION	UNIT	QUANTITY	RATE (\$)	COST (\$)
	Site Works & External Services				
	Site preparation & demolition	ITEM			12,000
	Roads, footpaths and paved areas	ITEM			16,000
	Boundary walls, fences and gates	ITEM			8,000
	Outbuildings and covered ways (Nil)	ITEM			-
	Landscaping and Improvements	ITEM			16,000
	External stormwater drainage	ITEM			16,000
	External sewer drainage	ITEM			8,000
	External water supply	ITEM			4,000
	External gas reticulation	ITEM			4,000
	External fire protection	ITEM			4,000
	External light & power	ITEM			8,000
	External communications	ITEM			1,600
	Balance of funds	ITEM			400

SUB-TOTAL					\$ 98,000
PRELIMINARIES (Included Above)	- %				\$ -
DESIGN VARIABLE	5.00 %				\$ 5,000
COST ESCALATION TO TENDER	- %				\$ -
COST ESCALATION DURING CONSTRUCTION	2.00 %				\$ 2,000
CONTRACT CONTINGENCY	2.50 %				\$ 3,000
PROFESSIONAL FEES	11.00 %				\$ 12,000
LOOSE FURNITURE & EQUIPMENT (Excluded)	ITEM				\$ -
ANTICIPATED TOTAL PROJECT COST (Excluding GST)					\$ 120,000

(Fixed Price Contract - November 2005)

AF771740P

10/04/2008 \$187 173





PROWSE QUANTITY SURVEYORS PTY LTD
 ABN 83 097 049 548 ACN 097 049 548

PROPOSED NEW COMMUNITY FACILITIES - AURORA NTH EPPING
NORTHERN P-12 TENNIS COURT FACILITY

JOB 4605
 DATE 23/08/2007
 FECA -
 UCA -
 REF U/8C

CLIENT: VicUrban

ELEM	DESCRIPTION	UNIT	QUANTITY	RATE (\$)	COST (\$)
	Tennis Pavilion (Not Provided)				
	Pavilion including amenities (FECA)	M2	-	-	-
	Tennis Courts				
	Tennis courts (4 No courts)	No	4	50,000	200,000
	Playing lights (4 No courts)	No	4	10,000	40,000
	Car parking (Not Required)	ITEM			-
	Site Works & External Services				
	Site preparation & demolition	ITEM			10,000
	Roads, footpaths and paved areas	ITEM			10,000
	Boundary walls, fences and gates	ITEM			5,000
	Outbuildings and covered ways (Nil)	ITEM			-
	Landscaping and Improvements	ITEM			10,000
	External stormwater drainage	ITEM			10,000
	External sewer drainage (Nil)	ITEM			-
	External water supply	ITEM			5,000
	External gas reticulation (Nil)	ITEM			-
	External fire protection (Nil)	ITEM			-
	External light & power	ITEM			10,000
	External communications (Nil)	ITEM			-
	Balance of funds	ITEM			(5,000)

SUB-TOTAL \$ **295,000**

PRELIMINARIES (Included Above)	- %	\$ -
DESIGN VARIABLE	5.00 %	\$ 15,000
COST ESCALATION TO TENDER	- %	\$ -
COST ESCALATION DURING CONSTRUCTION	2.00 %	\$ 6,000
CONTRACT CONTINGENCY	2.50 %	\$ 8,000
PROFESSIONAL FEES	11.00 %	\$ 36,000
LOOSE FURNITURE & EQUIPMENT (Excluded)	ITEM	\$ -

ANTICIPATED TOTAL PROJECT COST (Excluding GST) \$ **360,000**

(Fixed Price Contract - November 2005)

AF771740P

10/04/2008 \$187 173





PROWSE QUANTITY SURVEYORS PTY LTD
 ABN 83 097 049 548 ACN 097 049 548

**PROPOSED NEW COMMUNITY FACILITIES - AURORA NTH EPPING
 NORTHERN P-12 SINGLE COURT SCHOOL GYMNASIUM UPGRADE**

JOB 4605
 DATE 23/08/2007
 FECA 1,880
 UCA 100
 REF U/9A

CLIENT: VicUrban

ELEM	DESCRIPTION	UNIT	QUANTITY	RATE (\$)	COST (\$)
New Building Works					
	Indoor double netball court (36x36m) (FECA)	M2	1,300	1,000	1,300,000
	Amenities/ change room (FECA)	M2	100	1,800	180,000
	Store room (FECA)	M2	100	1,300	130,000
	Staff area (FECA)	M2	60	1,500	90,000
	Foyer (FECA)	M2	40	1,500	60,000
	Mezzanine viewing area (FECA)	M2	250	1,000	250,000
	Canteen (FECA)	M2	30	2,000	60,000
	Canopy (UCA)	M2	100	700	70,000
	Stair cases	No	2	8,000	16,000
	Credit for D.E. & T. funds for court (approx 750m2)	M2	(750)	850	(637,500)
	External netball courts (In 2 No) (OPEN)	M2	1,400	100	140,000
Site Works and External Services					
	Site preparation & demolition	ITEM			15,000
	Roads, footpaths and paved areas	ITEM			30,000
	Boundary walls, fences and gates	ITEM			10,000
	Outbuildings and covered ways (Nil)	ITEM			-
	Landscaping and Improvements	ITEM			40,000
	External stormwater drainage	ITEM			35,000
	External sewer drainage	ITEM			20,000
	External water supply	ITEM			10,000
	External gas reticulation	ITEM			5,000
	External fire protection	ITEM			10,000
	External light & power	ITEM			25,000
	External communications	ITEM			2,000
	Balance of funds	ITEM			2,500

SUB-TOTAL \$ **1,863,000**

PRELIMINARIES (Included Above)	- %	\$ -
DESIGN VARIABLE	5.00 %	\$ 93,000
COST ESCALATION TO TENDER	- %	\$ -
COST ESCALATION DURING CONSTRUCTION	2.00 %	\$ 39,000
CONTRACT CONTINGENCY	2.50 %	\$ 50,000
PROFESSIONAL FEES	11.00 %	\$ 225,000
LOOSE FURNITURE & EQUIPMENT (Excluded)	ITEM	\$ -

ANTICIPATED TOTAL PROJECT COST (Excluding GST) \$ **2,270,000**

(Fixed Price Contract - November 2005)

AF771740P





PROWSE QUANTITY SURVEYORS PTY LTD
 ABN 83 097 049 548 ACN 097 049 548

**PROPOSED NEW COMMUNITY FACILITIES - AURORA NTH EPPING
 NORTHERN P-12 SINGLE COURT SCHOOL GYMNASIUM UPGRADE**

JOB 4605
 DATE 23/08/2007
 FECA -
 UCA -
 REF U/9B

CLIENT: VicUrban

ELEM	DESCRIPTION	UNIT	QUANTITY	RATE (\$)	COST (\$)
	New Building Works (Not Provided)				
	Indoor netball court (FECA)	M2	-	-	-
	Amenities/ change room (FECA)	M2	-	-	-
	Store room (FECA)	M2	-	-	-
	Staff area (FECA)	M2	-	-	-
	Foyer (FECA)	M2	-	-	-
	Mezzanine viewing area (FECA)	M2	-	-	-
	Canteen (FECA)	M2	-	-	-
	Canopy (UCA)	M2	-	-	-
	Stair cases	No	-	-	-
	Extra Over Standard DE&T Facility Costs				
	Upgrade standard DE&T basketball court to a netball court (Increase size to 36x20m)	NO	1	240,000	240,000
	Site Works and External Services				
	Site preparation & demolition	ITEM			5,000
	Roads, footpaths and paved areas (Nil)	ITEM			-
	Boundary walls, fences and gates (Nil)	ITEM			-
	Outbuildings and covered ways (Nil)	ITEM			-
	Landscaping and Improvements (Nil)	ITEM			-
	External stormwater drainage	ITEM			10,000
	External sewer drainage (Nil)	ITEM			-
	External water supply (Nil)	ITEM			-
	External gas reticulation (Nil)	ITEM			-
	External fire protection (Nil)	ITEM			-
	External light & power	ITEM			5,000
	External communications (Nil)	ITEM			-
	Balance of funds	ITEM			2,000

SUB-TOTAL \$ **262,000**

PRELIMINARIES (Included Above)	- %	\$ -
DESIGN VARIABLE	5.00 %	\$ 13,000
COST ESCALATION TO TENDER	- %	\$ -
COST ESCALATION DURING CONSTRUCTION	2.00 %	\$ 6,000
CONTRACT CONTINGENCY	2.50 %	\$ 7,000
PROFESSIONAL FEES	11.00 %	\$ 32,000
LOOSE FURNITURE & EQUIPMENT (Excluded)	ITEM	\$ -

ANTICIPATED TOTAL PROJECT COST (Excluding GST) \$ **320,000**
 (Fixed Price Contract - November 2005)

AF771740P

10/04/2008 \$187 173





PROWSE QUANTITY SURVEYORS PTY LTD
 ABN 83 097 049 548 ACN 097 049 548

PROPOSED NEW COMMUNITY FACILITIES - AURORA NTH EPPING
CENTRAL P-6 SINGLE COURT SCHOOL GYMNASIUM

JOB # 4605
 DATE 23/08/2007
 FECA 870
 UCA 25
 REF U/10A

CLIENT: VicUrban

ELEM	DESCRIPTION	UNIT	QUANTITY	RATE (\$)	COST (\$)
New Building Works					
	Indoor single netball court (36x20m)	(FECA) M2	720	1,000	720,000
	Amenities/ change room	(FECA) M2	50	1,800	90,000
	Store room	(FECA) M2	50	1,300	65,000
	Staff area	(FECA) M2	30	1,500	45,000
	Foyer	(FECA) M2	20	1,500	30,000
	Mezzanine viewing area	(FECA) M2	-	-	-
	Canteen	(FECA) M2	-	-	-
	Canopy	(UCA) M2	25	700	17,500
	Stair cases	No	-	-	-
	Credit for D.E. & T. funds for primary school multi-purpose room (approx 750m2)	M2	(298)	850	(253,300)
Site Works and External Services					
	Site preparation & demolition	ITEM			10,000
	Roads, footpaths and paved areas	ITEM			20,000
	Boundary walls, fences and gates	ITEM			10,000
	Outbuildings and covered ways (Nil)	ITEM			-
	Landscaping and Improvements	ITEM			10,000
	External stormwater drainage	ITEM			20,000
	External sewer drainage	ITEM			10,000
	External water supply	ITEM			2,000
	External gas reticulation	ITEM			2,000
	External fire protection	ITEM			5,000
	External light & power	ITEM			15,000
	External communications	ITEM			1,000
	Balance of funds	ITEM			1,800

SUB-TOTAL \$ **821,000**

PRELIMINARIES (Included Above)	- %	\$ -
DESIGN VARIABLE	5.00 %	\$ 41,000
COST ESCALATION TO TENDER	- %	\$ -
COST ESCALATION DURING CONSTRUCTION	2.00 %	\$ 17,000
CONTRACT CONTINGENCY	2.50 %	\$ 22,000
PROFESSIONAL FEES	11.00 %	\$ 99,000
LOOSE FURNITURE & EQUIPMENT (Excluded)	ITEM	\$ -

ANTICIPATED TOTAL PROJECT COST (Excluding GST) \$ **1,000,000**

(Fixed Price Contract - November 2005)

AF771740P

10/04/2008 \$187 173





PROWSE QUANTITY SURVEYORS PTY LTD
 ABN 83 097 049 548 ACN 097 049 548

PROPOSED NEW COMMUNITY FACILITIES - AURORA NTH EPPING
NORTH WEST P-6 SINGLE COURT SCHOOL GYMNASIUM

JOB 4605
 DATE 23/08/2007
 FECA 870
 UCA 25
 REF U/10B

CLIENT: VicUrban

ELEM	DESCRIPTION	UNIT	QUANTITY	RATE (\$)	COST (\$)
New Building Works					
	Indoor single netball court (36x20m)	(FECA) M2	720	1,000	720,000
	Amenities/ change room	(FECA) M2	50	1,800	90,000
	Store room	(FECA) M2	50	1,300	65,000
	Staff area	(FECA) M2	30	1,500	45,000
	Foyer	(FECA) M2	20	1,500	30,000
	Mezzanine viewing area	(FECA) M2	-	-	-
	Canteen	(FECA) M2	-	-	-
	Canopy	(UCA) M2	25	700	17,500
	Stair cases	No	-	-	-
	Credit for D.E. & T. funds for primary school multi-purpose room (approx 750m2)	M2	(298)	850	(253,300)
Site Works and External Services					
	Site preparation & demolition	ITEM			10,000
	Roads, footpaths and paved areas	ITEM			20,000
	Boundary walls, fences and gates	ITEM			10,000
	Outbuildings and covered ways (Nil)	ITEM			-
	Landscaping and Improvements	ITEM			10,000
	External stormwater drainage	ITEM			20,000
	External sewer drainage	ITEM			10,000
	External water supply	ITEM			2,000
	External gas reticulation	ITEM			2,000
	External fire protection	ITEM			5,000
	External light & power	ITEM			15,000
	External communications	ITEM			1,000
	Balance of funds	ITEM			1,800

SUB-TOTAL \$ **821,000**

PRELIMINARIES (Included Above)	- %	\$ -
DESIGN VARIABLE	5.00 %	\$ 41,000
COST ESCALATION TO TENDER	- %	\$ -
COST ESCALATION DURING CONSTRUCTION	2.00 %	\$ 17,000
CONTRACT CONTINGENCY	2.50 %	\$ 22,000
PROFESSIONAL FEES	11.00 %	\$ 99,000
LOOSE FURNITURE & EQUIPMENT (Excluded)	ITEM	\$ -

ANTICIPATED TOTAL PROJECT COST (Excluding GST) \$ **1,000,000**

(Fixed Price Contract - November 2005)

AF771740P

10/04/2008 \$187 173





PROWSE QUANTITY SURVEYORS PTY LTD

ABN 83 097 049 548 ACN 097 049 548

**PROPOSED NEW COMMUNITY FACILITIES - AURORA NTH EPPING
HARVEST HOME ROAD CAC (Early Childhood Focus)**

JOB 4605
DATE 23/08/2007
FECA 923
UCA 77
REF U/11A

CLIENT: VicUrban

ELEM	DESCRIPTION	UNIT	QUANTITY	RATE (\$)	COST (\$)
	Core CAC: Generated by Neighbourhood Demand Refer to Sub total (1) over	ITEM			921,000
	Core CAC: Generated by Regional Demand Refer to Sub total (2) over	ITEM			387,000
	Circulation				
	Circulation (FECA)	M2	154	1,100	169,400
	Canopies / verandahs (UCA)	M2	77	700	53,900
	Extra over items				
	Commercial kitchen equipment & coolers	ITEM			60,000
	Operable walls and auto doors	ITEM			25,000
	Site Works and External Services				
	Site preparation & demolition	ITEM			16,000
	Roads, footpaths and paved areas	ITEM			16,000
	Car parking (8 spaces)	ITEM			24,000
	Boundary walls, fences and gates	ITEM			20,000
	Outbuildings and covered ways (Nil)	ITEM			-
	Landscaping and Improvements	ITEM			40,000
	External stormwater drainage	ITEM			20,000
	External sewer drainage	ITEM			8,000
	External water supply	ITEM			4,000
	External gas reticulation	ITEM			2,000
	External fire protection	ITEM			4,000
	External light & power	ITEM			12,000
	External communications	ITEM			2,000
	Balance of funds	ITEM			4,700

SUB-TOTAL \$ 1,789,000

PRELIMINARIES (Included Above)	- %	\$ -
DESIGN VARIABLE	5.00 %	\$ 89,000
COST ESCALATION TO TENDER	- %	\$ -
COST ESCALATION DURING CONSTRUCTION	3.00 %	\$ 56,000
CONTRACT CONTINGENCY	2.50 %	\$ 48,000
PROFESSIONAL FEES	11.00 %	\$ 218,000
LOOSE FURNITURE & EQUIPMENT (Excluded)	ITEM	\$ -

ANTICIPATED TOTAL PROJECT COST (Excluding GST) \$ 2,200,000
(Fixed Price Contract - November 2005)

AF771740P

10/04/2008 \$187 173





PROWSE QUANTITY SURVEYORS PTY LTD
 ABN 83 097 049 548 ACN 097 049 548

PROPOSED NEW COMMUNITY FACILITIES - AURORA NTH EPPING
HARVEST HOME ROAD CAC (Early Childhood Focus)

JOB 4605
 DATE 23/08/2007
 FECA 923
 UCA 77
 REF U/11A

CLIENT: VicUrban

ELEM	DESCRIPTION	UNIT	QUANTITY	RATE (\$)	COST (\$)
Core CAC: Generated by Neighbourhood Demand					
	Entry				
	Entry (FECA)	M2	35	1,700	59,500
	Coordinators storage (FECA)	M2	6	1,100	6,600
	Coordinators offices (FECA)	M2	32	1,750	56,000
Main Hall					
	Hall (FECA)	M2	200	1,500	300,000
	User storage (FECA)	M2	36	1,100	39,600
	Playgroup storage (FECA)	M2	15	1,100	16,500
	Chair and table storage (FECA)	M2	20	1,100	22,000
Kitchen & Food Service Centre					
	Kitchen (commercial) (FECA)	M2	40	3,100	124,000
	Kitchen (domestic) (FECA)	M2	25	2,000	50,000
	Kitchen store (FECA)	M2	12	2,000	24,000
Meeting Rooms					
	Meeting room 1 (FECA)	M2	30	1,750	52,500
	Meeting room 2 (FECA)	M2	50	1,750	87,500
	User store (FECA)	M2	12	1,100	13,200
Common Amenities					
	Toilets (men & women) (FECA)	M2	20	2,400	48,000
	Accessible / family toilets / change (FECA)	M2	6	2,400	14,400
	Cleaners store (FECA)	M2	4	1,800	7,200
Sub-Total (1) - Regional Demand Facilities		ITEM			921,000
Core CAC: Generated by Regional Demand					
PAG (ADASS)					
	Activity room 1 (FECA)	M2	60	1,500	90,000
	Activity room 2 (FECA)	M2	80	1,500	120,000
	Office (FECA)	M2	16	1,750	28,000
	Accessible toilets/amenities/sick bay (FECA)	M2	30	2,400	72,000
	Storage (FECA)	M2	20	1,100	22,000
	Ext to kitchen for food services centre (FECA)	M2	20	2,000	40,000
	Outdoor area (OPEN)	M2	60	250	15,000
Sub-Total (2) - Regional Demand Facilities		ITEM			387,000

AF771740P

10/04/2008 \$187 173





PROWSE QUANTITY SURVEYORS PTY LTD

ABN 83 097 049 548 ACN 097 049 548

PROPOSED NEW COMMUNITY FACILITIES - AURORA NTH EPPING
HARVEST HOME ROAD CAC (Early Childhood Focus)
MCH & Preschool

JOB 4605
 DATE 23/08/2007
 FECA 595
 UCA 50
 REF U/11B

CLIENT: VicUrban

ELEM	DESCRIPTION	UNIT	QUANTITY	RATE (\$)	COST (\$)
Core CAC: Generated by Neighbourhood Demand					
MCH					
	Consulting rooms (general)	(FECA) M2	40	1,700	68,000
	Consulting rooms (MCH)	(FECA) M2	40	1,700	68,000
	Waiting room	(FECA) M2	40	1,700	68,000
	Offices for NGO's	(FECA) M2	40	1,750	70,000
Preschool (Double)					
	Lobby	(FECA) M2	20	1,700	34,000
	Bag rooms	(FECA) M2	30	1,100	33,000
	Children rooms (60 children x 3.3m2/child)	(FECA) M2	198	1,700	336,600
	Kitchen	(FECA) M2	12	2,000	24,000
	Office / administration room	(FECA) M2	16	1,750	28,000
	Storage internal	(FECA) M2	40	1,100	44,000
	Storage external (shed)	ITEM			10,000
	Children's toilets	(FECA) M2	12	2,400	28,800
	Staff toilets and shower	(FECA) M2	8	2,400	19,200
	Outdoor play (60 children x 7.0m2/child)	(OPEN) M2	420	250	105,000
	Circulation	(FECA) M2	99	1,100	109,120
	Canopies / verandahs	(UCA) M2	50	700	35,000
Extra over items					
	Operable walls and auto doors	ITEM			25,000
Site Works and External Services					
	Site preparation & demolition	ITEM			24,000
	Roads, footpaths and paved areas	ITEM			24,000
	Car parking (12 spaces)	ITEM			36,000
	Boundary walls, fences and gates	ITEM			30,000
	Outbuildings and covered ways (Nil)	ITEM			-
	Landscaping and Improvements	ITEM			60,000
	External stormwater drainage	ITEM			30,000
	External sewer drainage	ITEM			12,000
	External water supply	ITEM			6,000
	External gas reticulation	ITEM			3,000
	External fire protection	ITEM			6,000
	External light & power	ITEM			18,000
	External communications	ITEM			3,000
	Balance of funds	ITEM			(1,720)

SUB-TOTAL \$ 1,356,000

PRELIMINARIES (Included Above)	- %	\$ -
DESIGN VARIABLE	5.00 %	\$ 68,000
COST ESCALATION TO TENDER	- %	\$ -
COST ESCALATION DURING CONSTRUCTION	3.00 %	\$ 43,000
CONTRACT CONTINGENCY	2.50 %	\$ 37,000
PROFESSIONAL FEES	11.00 %	\$ 166,000
LOOSE FURNITURE & EQUIPMENT (Excluded)	ITEM	\$ -

ANTICIPATED TOTAL PROJECT COST (Excluding GST) \$ 1,670,000

(Fixed Price Contract - November 2005)

AF771740P





PROWSE QUANTITY SURVEYORS PTY LTD

ABN 83 097 049 548 ACN 097 049 548

**PROPOSED NEW COMMUNITY FACILITIES - AURORA NTH EPPING
NORTHERN P-12 CAC (General Focus)**

JOB 4605
DATE 23/08/2007
FECA 278
UCA 23
REF U/12A

CLIENT: VicUrban

ELEM	DESCRIPTION	UNIT	QUANTITY	RATE (\$)	COST (\$)
Entry					
	Entry (FECA)	M2	35	1,700	59,500
	Coordinators storage (FECA)	M2	6	1,100	6,600
	Coordinators offices (FECA)	M2	32	1,750	56,000
Kitchen & Food Service Centre					
	Kitchen (domestic) (FECA)	M2	25	2,000	50,000
	Kitchen store (FECA)	M2	12	2,000	24,000
Meeting Rooms					
	Meeting room 1 (FECA)	M2	30	1,750	52,500
	Meeting room 2 (FECA)	M2	50	1,750	87,500
	User store (FECA)	M2	12	1,100	13,200
Common Amenities					
	Toilets (men & women) (FECA)	M2	20	2,400	48,000
	Accessible / family toilets / change (FECA)	M2	6	2,400	14,400
	Cleaners store (FECA)	M2	4	1,800	7,200
Circulation					
	Circulation (FECA)	M2	46	1,100	51,040
	Canopies / verandahs (UCA)	M2	23	700	16,240
Extra over items					
	Operable walls and auto doors	ITEM			25,000
Site Works and External Services					
	Site preparation & demolition	ITEM			11,000
	Roads, footpaths and paved areas	ITEM			11,000
	Car parking (8 spaces)	ITEM			14,000
	Boundary walls, fences and gates	ITEM			10,000
	Outbuildings and covered ways (Nil)	ITEM			-
	Landscaping and Improvements	ITEM			20,000
	External stormwater drainage	ITEM			10,000
	External sewer drainage	ITEM			3,000
	External water supply	ITEM			4,000
	External gas reticulation	ITEM			2,000
	External fire protection	ITEM			4,000
	External light & power	ITEM			7,000
	External communications	ITEM			2,000
	Balance of funds	ITEM			820

SUB-TOTAL \$ **610,000**

PRELIMINARIES (Included Above)	- %	\$ -
DESIGN VARIABLE	5.00 %	\$ 31,000
COST ESCALATION TO TENDER	- %	\$ -
COST ESCALATION DURING CONSTRUCTION	3.00 %	\$ 19,000
CONTRACT CONTINGENCY	2.50 %	\$ 17,000
PROFESSIONAL FEES	11.00 %	\$ 73,000
LOOSE FURNITURE & EQUIPMENT (Excluded)	ITEM	\$ -

ANTICIPATED TOTAL PROJECT COST (Excluding GST) \$ **750,000**

(Fixed Price Contract - November 2005)

AF771740P





PROWSE QUANTITY SURVEYORS PTY LTD
 ABN 83 097 049 548 ACN 097 049 548

PROPOSED NEW COMMUNITY FACILITIES - AURORA NTH EPPING
NORTHERN P-12 CAC (General Focus)
MCH & Preschool

JOB 4605
 DATE 23/08/2007
 FECA 595
 UCA 50
 REF U/12B

CLIENT: VicUrban

ELEM	DESCRIPTION	UNIT	QUANTITY	RATE (\$)	COST (\$)
Core CAC: Generated by Neighbourhood Demand					
MCH					
	Consulting rooms (general)	(FECA) M2	40	1,700	68,000
	Consulting rooms (MCH)	(FECA) M2	40	1,700	68,000
	Waiting room	(FECA) M2	40	1,700	68,000
	Offices for Visiting Services	(FECA) M2	40	1,750	70,000
Preschool (Double)					
	Lobby	(FECA) M2	20	1,700	34,000
	Bag rooms	(FECA) M2	30	1,100	33,000
	Children rooms (60 children x 3.3m2/child)	(FECA) M2	198	1,700	336,600
	Kitchen	(FECA) M2	12	2,000	24,000
	Office / administration room	(FECA) M2	16	1,750	28,000
	Storage internal	(FECA) M2	40	1,100	44,000
	Storage external (shed)	ITEM			10,000
	Children's toilets	(FECA) M2	12	2,400	28,800
	Staff toilets and shower	(FECA) M2	8	2,400	19,200
	Outdoor play (60 children x 7.0m2/child)	(OPEN) M2	420	250	105,000
	Circulation	(FECA) M2	99	1,100	109,120
	Canopies / verandahs	(UCA) M2	50	700	35,000
Extra over items					
	Operable walls and auto doors	ITEM			25,000
Site Works and External Services					
	Site preparation & demolition	ITEM			24,000
	Roads, footpaths and paved areas	ITEM			24,000
	Car parking (12 spaces)	ITEM			36,000
	Boundary walls, fences and gates	ITEM			30,000
	Outbuildings and covered ways (Nil)	ITEM			-
	Landscaping and Improvements	ITEM			60,000
	External stormwater drainage	ITEM			30,000
	External sewer drainage	ITEM			12,000
	External water supply	ITEM			6,000
	External gas reticulation	ITEM			3,000
	External fire protection	ITEM			6,000
	External light & power	ITEM			18,000
	External communications	ITEM			3,000
	Balance of funds	ITEM			(1,720)

SUB-TOTAL \$ **1,356,000**

PRELIMINARIES (Included Above)	- %	\$ -
DESIGN VARIABLE	5.00 %	\$ 68,000
COST ESCALATION TO TENDER	- %	\$ -
COST ESCALATION DURING CONSTRUCTION	3.00 %	\$ 43,000
CONTRACT CONTINGENCY	2.50 %	\$ 37,000
PROFESSIONAL FEES	11.00 %	\$ 166,000
LOOSE FURNITURE & EQUIPMENT (Excluded)	ITEM	\$ -

ANTICIPATED TOTAL PROJECT COST (Excluding GST)

(Fixed Price Contract - November 2005)

AF771740P

\$ 1,670,000





PROWSE QUANTITY SURVEYORS PTY LTD

ABN 83 097 049 548 ACN 097 049 548

**PROPOSED NEW COMMUNITY FACILITIES - AURORA NTH EPPING
SOUTHERN TOWN CENTRE CAC (Skilling, Training, Resources)**

JOB 4605
DATE 23/08/2007
FECA 590
UCA 49
REF U/13

CLIENT: VicUrban

ELEM	DESCRIPTION	UNIT	QUANTITY	RATE (\$)	COST (\$)
	Core CAC: Generated by Neighbourhood Demand Refer to Sub total (1) over	ITEM			488,900
	Core CAC: Generated by Regional Demand Refer to Sub total (2) over	ITEM			375,000
	Circulation				
	Circulation (FECA)	M2	98	1,100	107,800
	Canopies / verandahs (UCA)	M2	49	700	34,300
	Extra over items Operable walls and auto doors	ITEM			50,000
	Site Works and External Services				
	Site preparation & demolition	ITEM			40,000
	Roads, footpaths and paved areas	ITEM			40,000
	Car parking (20 spaces)	ITEM			60,000
	Boundary walls, fences and gates	ITEM			50,000
	Outbuildings and covered ways (Nil)	ITEM			-
	Landscaping and Improvements (Excluded)	ITEM			-
	External stormwater drainage	ITEM			50,000
	External sewer drainage	ITEM			20,000
	External water supply	ITEM			10,000
	External gas reticulation	ITEM			5,000
	External fire protection	ITEM			10,000
	External light & power	ITEM			30,000
	External communications	ITEM			5,000
	Balance of funds	ITEM			(2,000)

SUB-TOTAL \$ 1,374,000

PRELIMINARIES (Included Above)	- %	\$ -
DESIGN VARIABLE	5.00 %	\$ 69,000
COST ESCALATION TO TENDER	- %	\$ -
COST ESCALATION DURING CONSTRUCTION	3.00 %	\$ 43,000
CONTRACT CONTINGENCY	2.50 %	\$ 37,000
PROFESSIONAL FEES	11.00 %	\$ 167,000
LOOSE FURNITURE & EQUIPMENT (Excluded)	ITEM	\$ -

ANTICIPATED TOTAL PROJECT COST (Excluding GST) \$ 1,690,000

(Fixed Price Contract - November 2005)

AF771740P

10/04/2008 \$187 173





PROWSE QUANTITY SURVEYORS PTY LTD
 ABN 83 097 049 548 ACN 097 049 548

PROPOSED NEW COMMUNITY FACILITIES - AURORA NTH EPPING
SOUTHERN TOWN CENTRE CAC (Skilling, Training, Resources)

JOB 4605
 DATE 23/08/2007
 FECA 590
 UCA 49
 REF U/13

CLIENT: VicUrban

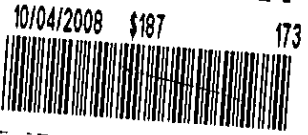
ELEM	DESCRIPTION	UNIT	QUANTITY	RATE (\$)	COST (\$)
Core CAC: Generated by Neighbourhood Demand					
	Entry				
	Entry (FECA)	M2	35	1,700	59,500
	Coordinators storage (FECA)	M2	6	1,100	6,600
	Coordinators offices (FECA)	M2	32	1,750	56,000
	Offices for NGO's (FECA)	M2	40	1,750	70,000
	Main Hall				
	Hall (FECA)	M2	-	-	-
	User storage (FECA)	M2	-	-	-
	Playgroup storage (FECA)	M2	-	-	-
	Chair and table storage (FECA)	M2	-	-	-
	Kitchen & Food Service Centre				
	Kitchen (commercial) (FECA)	M2	-	-	-
	Kitchen (domestic) (FECA)	M2	25	2,000	50,000
	Kitchen store (FECA)	M2	12	2,000	24,000
	Meeting Rooms				
	Meeting room 1 (FECA)	M2	30	1,750	52,500
	Meeting room 2 (FECA)	M2	50	1,750	87,500
	User store (FECA)	M2	12	1,100	13,200
	Common Amenities				
	Toilets (men & women) (FECA)	M2	20	2,400	48,000
	Accessible / family toilets / change (FECA)	M2	6	2,400	14,400
	Cleaners store (FECA)	M2	4	1,800	7,200
	Sub-Total (1) - Neighbourhood Demand Facilities	ITEM			488,900
Core CAC: Generated by Regional Demand					
	Neighbourhood House Space				
	Flexible class/meeting/consulting rooms (FECA)	M2	100	1,750	175,000
	Fine Arts Space				
	Wet area (FECA)	M2	30	1,750	52,500
	Exhibition space (FECA)	M2	30	1,750	52,500
	Performing Arts Space				
	Main hall for stage (FECA)	M2	40	1,500	60,000
	Green room (FECA)	M2	20	1,750	35,000
	Sub-Total (2) - Regional Demand Facilities	ITEM			375,000

AF771740P

10/04/2008 \$187 173



AF771740P



Annexure

Plan identifying the

The plan which is annexure "A" has been removed from this counterpart of the Section 173 Agreement due to difficulties with imaging for recording purposes.

A copy of the plan identified is included in each of the counterparts to this section 173 agreement which are held by:

- The Minister for Planning;
- The responsible authority
- The Owner of the land as at the date the agreement was executed

A copy of the counterpart agreement together with Annexure A is available for inspection at Council offices during normal business hours upon giving the Council reasonable notice.



Imaged Document Cover Sheet

The document following this cover sheet is an imaged document supplied by LANDATA®, Secure Electronic Registries Victoria.

Document Type	Plan
Document Identification	PS738256X
Number of Pages (excluding this cover sheet)	5
Document Assembled	04/02/2026 10:00

Copyright and disclaimer notice:

© State of Victoria. This publication is copyright. No part may be reproduced by any process except in accordance with the provisions of the Copyright Act 1968 (Cth) and for the purposes of Section 32 of the Sale of Land Act 1962 or pursuant to a written agreement. The information is only valid at the time and in the form obtained from the LANDATA® System. None of the State of Victoria, LANDATA®, Secure Electronic Registries Victoria Pty Ltd (ABN 86 627 986 396) as trustee for the Secure Electronic Registries Victoria Trust (ABN 83 206 746 897) accept responsibility for any subsequent release, publication or reproduction of the information.

The document is invalid if this cover sheet is removed or altered.

<h1>PLAN OF SUBDIVISION</h1>	EDITION 1	<h1>PS738256X</h1>
------------------------------	-----------	--------------------

<p>LOCATION OF LAND</p> <p>PARISH: WOLLERT</p> <p>TOWNSHIP: —</p> <p>SECTION: 13</p> <p>CROWN ALLOTMENT: 1 (PART)</p> <p>CROWN PORTION: —</p> <p>TITLE REFERENCE: VOL.11842 FOL.039</p> <p>LAST PLAN REFERENCE: PS738255A (LOT F)</p> <p>POSTAL ADDRESS: 195 CRAIGIEBURN ROAD (at time of subdivision) WOLLERT 3750</p> <p>MGA CO-ORDINATES: E: 324 120 ZONE: 55 (of approx centre of land in plan) N: 5835 930 GDA 94</p>	<p>Council Name: Whittlesea City Council</p> <p>Council Reference Number: 608982 Planning Permit Reference: 715268 SPEAR Reference Number: S069743J</p> <p>Certification</p> <p>This plan is certified under section 11 (7) of the Subdivision Act 1988 Date of original certification under section 6: 15/12/2015</p> <p>Public Open Space</p> <p>A requirement for public open space under section 18 of the Subdivision Act 1988 Has been made and the requirement has not been satisfied at Certification Has been made and the requirement has been satisfied at Statement of Compliance (Document updated 23/02/2017)</p> <p>Digitally signed by: Carolyn Joy Leatham for Whittlesea City Council on 04/01/2017</p>
--	---

VESTING OF ROADS AND/OR RESERVES	NOTATIONS
---	------------------

IDENTIFIER	COUNCIL/BODY/PERSON	NOTATIONS
ROAD R1 RESERVE No.1 RESERVE No.2	WHITTLESEA CITY COUNCIL WHITTLESEA CITY COUNCIL WHITTLESEA CITY COUNCIL	<p>LOTS 1-400 (BOTH INCLUSIVE) HAVE BEEN OMITTED FROM THIS PLAN.</p> <p>FOR RESTRICTIONS AFFECTING LOTS 401 TO 442 (BOTH INCLUSIVE) SEE CREATION OF RESTRICTIONS ON SHEETS 3 & 4</p> <p>FOR RESTRICTION AFFECTING LOT 442 SEE CREATION OF RESTRICTION ON SHEET 5</p> <p>OTHER PURPOSES OF PLAN: TO REMOVE THAT PART OF SEWERAGE EASEMENT CREATED AS E-3 ON PS738254C CONTAINED WITHIN MERRI RISE ON THIS PLAN.</p> <p>GROUNDS FOR REMOVAL OF EASEMENT: AGREEMENT FROM ALL INTERESTED PARTIES (SECTION 6(1)K SUBDIVISION ACT 1988)</p>

NOTATIONS	
------------------	--

DEPTH LIMITATION: 15.24m APPLIES

This is a SPEAR plan.

STAGING:
This is not a staged subdivision.
Planning Permit No. 715268

SURVEY:
This plan is based on survey.
This survey has been connected to permanent marks No(s). 21, 38, 40, 48, 527, 588
In Proclaimed Survey Area No. —

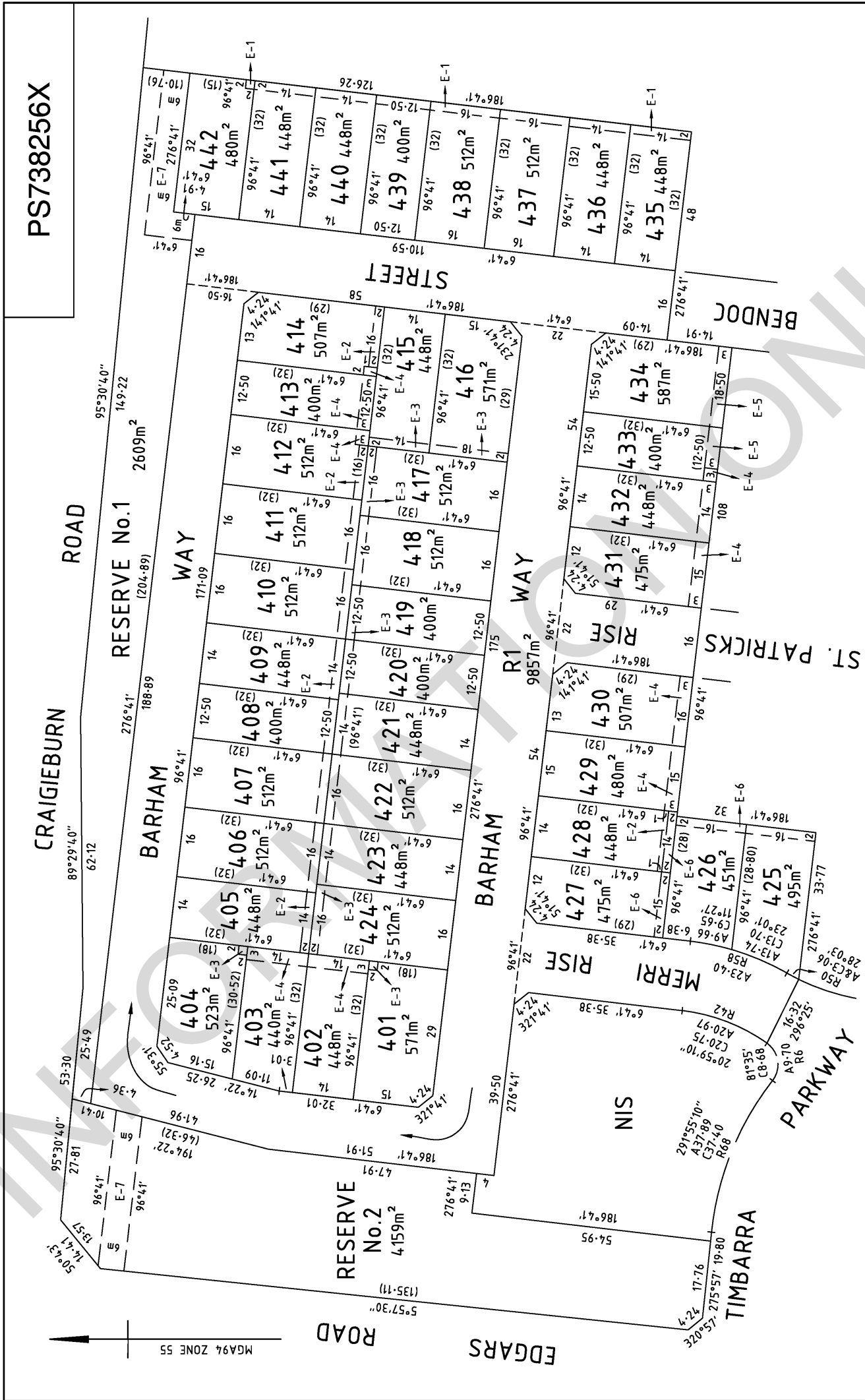
Estate: Aurora Phase No.: 4 No. of Lots: 42 PHASE AREA: 3.660ha
--

EASEMENT INFORMATION


LEGEND: A - Appurtenant Easement E - Encumbering Easement R - Encumbering Easement (Road)

Easement Reference	Purpose	Width (Metres)	Origin	Land Benefited/In Favour Of
E-1	SEWERAGE	SEE DIAG.	PS738255A	YARRA VALLEY WATER CORPORATION WHITTLESEA CITY COUNCIL YARRA VALLEY WATER CORPORATION WHITTLESEA CITY COUNCIL YARRA VALLEY WATER CORPORATION YARRA VALLEY WATER CORPORATION
E-2, E-4	DRAINAGE	SEE DIAG.	THIS PLAN	
E-3, E-4	SEWERAGE	SEE DIAG.	THIS PLAN	
E-5	DRAINAGE	3	PS738254C	
E-5, E-6	SEWERAGE	SEE DIAG.	PS738254C	
E-7	SUPPLY OF WATER THROUGH UNDERGROUND PIPES	6	THIS PLAN	

<p>Beveridge Williams development & environment consultants Melbourne ph : 03 95248888 www.beveridgewilliams.com.au</p>	SURVEYORS FILE REF: 1300940/4 1300940-04-PS-V14.DWG	ORIGINAL SHEET SIZE: A3	SHEET 1 OF 5
	Digitally signed by: Sean Adrian O'Connor (Beveridge Williams & Co Pty Ltd - Malvern), Surveyor's Plan Version (14), 23/12/2016		PLAN REGISTERED TIME: 2:02 pm DATE: 23/03/2017 Grant Redman Assistant Registrar of Titles



PS738256X

 <p>Beveridge Williams development & environment consultants Melbourne ph : 03 9524 8888 www.beveridgewilliams.com.au</p>	<p>SURVEYORS REFERENCE 1300940/4</p>	<p>Scale 1 : 800</p>	<p>LENGTHS ARE IN METRES 8 0 8 16 24 32</p>	<p>ORIGINAL SHEET SIZE: A3</p>	<p>SHEET 2</p>
	<p>Digitally signed by: Sean Adrian O'Connor (Beveridge Williams & Co Pty Ltd - Malvern), Surveyor's Plan Version (14), 23/12/2016</p> <p>Digitally signed by: Whittlesea City Council, 04/01/2017, SPEAR Ref: S069743J</p>				

PS738256X

**SUBDIVISION ACT 1988
CREATION OF RESTRICTION 'A'**

UPON REGISTRATION OF THIS PLAN THE FOLLOWING RESTRICTION IS CREATED

LAND TO BENEFIT & TO BE BURDENED:

THE LAND IS BURDENED AND BENEFITED IN ACCORDANCE WITH THE FOLLOWING TABLE OF BURDENED AND BENEFITED LAND

TABLE OF BURDENED AND BENEFITED LAND

BURDENED LOT No.	BENEFITING LOTS ON THIS PLAN	BURDENED LOT No.	BENEFITING LOTS ON THIS PLAN
401	402, 424	422	407, 421, 423
402	401, 403, 424	423	406, 422, 424
403	402, 404, 405	424	401, 402, 405, 460, 423
404	403, 405	425	426
405	403, 404, 406, 424	426	425, 427, 428
406	405, 407, 423, 424	427	426, 428
407	406, 408, 422	428	426, 427, 429
408	407, 409, 421	429	428, 430
409	408, 410, 420, 421	430	429
410	409, 411, 418, 419	431	432
411	410, 412, 417, 418	432	431, 433
412	411, 413, 415, 417	433	432, 434
413	412, 414, 415	434	433
414	413, 415	435	436
415	412, 413, 414, 416, 417	436	435, 437
416	415, 417	437	436, 438
417	411, 412, 415, 416, 418	438	437, 439
418	410, 411, 417, 419	439	438, 440
419	410, 418, 420	440	439, 441
420	409, 419, 421	441	440, 442
421	408, 409, 420, 422	442	441

DESCRIPTION OF RESTRICTION:

THE REGISTERED PROPRIETOR OR PROPRIETORS FOR THE TIME BEING OF ANY BURDENED LOT ON THIS PLAN OF SUBDIVISION SHALL NOT AT ANY TIME ON THE SAID LOT OR ANY PARTS THEREOF:

BUILD OR PERMIT TO BE BUILT OR REMAIN ON THE LOT ANY BUILDING OTHER THAN A BUILDING WHICH HAS BEEN CONSTRUCTED AND SITED IN ACCORDANCE WITH THE MEMORANDUM OF COMMON PROVISIONS (MCP) REGISTERED IN DEALING NO. AA3177

EXPIRY:

THIS RESTRICTION CEASES TO HAVE EFFECT FOLLOWING AFTER EITHER;

- (i) THE ISSUE OF AN OCCUPANCY PERMIT UNDER THE BUILDING ACT 1993 (OR SIMILAR) IN RESPECT OF A BUILDING ON EVERY RESIDENTIAL LOT ON THIS PLAN.
- (ii) TEN YEARS FROM THE DATE OF REGISTRATION OF THIS PLAN.



Beveridge Williams
development & environment consultants

Melbourne ph : 03 9524 8888

www.beveridgewilliams.com.au

SURVEYORS REF
1300940/4

Digitally signed by: Sean Adrian O'Connor (Beveridge
Williams & Co Pty Ltd - Malvern),
Surveyor's Plan Version (14),
23/12/2016

ORIGINAL SHEET
SIZE: A3

SHEET 3

Digitally signed by:
Whittlesea City Council,
04/01/2017,
SPEAR Ref: S069743J

PS738256X

**SUBDIVISION ACT 1988
CREATION OF RESTRICTION 'B'**

UPON REGISTRATION OF THIS PLAN THE FOLLOWING RESTRICTION IS CREATED

LAND TO BENEFIT & TO BE BURDENED:

THE LAND IS BURDENED AND BENEFITED IN ACCORDANCE WITH THE FOLLOWING TABLE OF BURDENED AND BENEFITED LAND

TABLE OF BURDENED AND BENEFITED LAND

BURDENED LOT No.	BENEFITING LOTS ON THIS PLAN	BURDENED LOT No.	BENEFITING LOTS ON THIS PLAN
401	402, 424	422	407, 421, 423
402	401, 403, 424	423	406, 422, 424
403	402, 404, 405	424	401, 402, 405, 406, 423
404	403, 405	425	426
405	403, 404, 406, 424	426	425, 427, 428
406	405, 407, 423, 424	427	426, 428
407	406, 408, 422	428	426, 427, 429
408	407, 409, 421	429	428, 430
409	408, 410, 420, 421	430	429
410	409, 411, 418, 419	431	432
411	410, 412, 417, 418	432	431, 433
412	411, 413, 415, 417	433	432, 434
413	412, 414, 415	434	433
414	413, 415	435	436
415	412, 413, 414, 416, 417	436	435, 437
416	415, 417	437	436, 438
417	411, 412, 415, 416, 418	438	437, 439
418	410, 411, 417, 419	439	438, 440
419	410, 418, 420	440	439, 441
420	409, 419, 421	441	440, 442
421	408, 409, 420, 422	442	441

DESCRIPTION OF RESTRICTION:

THE REGISTERED PROPRIETOR OR PROPRIETORS FOR THE TIME BEING OF ANY BURDENED LOT ON THIS PLAN OF SUBDIVISION SHALL NOT AT ANY TIME ON THE SAID LOT OR ANY PARTS THEREOF:

- BUILD MORE THAN ONE DWELLING ON THE BURDENED LOT WITHOUT THE WRITTEN CONSENT OF THE TRANSFEROR OR LEND LEASE COMMUNITIES (AUSTRALIA) LIMITED ACN 000 966 085 ('LEND LEASE').
- SUBDIVIDE THE BURDENED LOT WITHOUT THE WRITTEN CONSENT OF THE TRANSFEROR OR LEND LEASE.
- BUILD OR CAUSE TO BE BUILT OR ALLOW TO REMAIN A DWELLING OR ANY OTHER IMPROVEMENTS, OR CARRY OUT OR CAUSE TO BE CARRIED OUT ANY BUILDING, CONSTRUCTION OR LANDSCAPE WORKS ON THE BURDENED LOT UNLESS THE PLANS FOR THE BUILDING OR OTHER IMPROVEMENTS (INCLUDING LANDSCAPE WORKS) AND A SCHEDULE OF COLOURS AND MATERIALS HAVE BEEN APPROVED BY THE DESIGN ASSESSMENT PANEL (BEING LEND LEASE OR THE PERSON, ENTITY OR GROUP WHO ARE FROM TIME TO TIME NOMINATED BY LEND LEASE TO ACT AS THE DESIGN ASSESSMENT PANEL) AND COMPLY WITH THE DESIGN GUIDELINES AS AMENDED FROM TIME TO TIME. A COPY OF THE DESIGN GUIDELINES IS AVAILABLE at <http://www.auroaravic.com.au>
- CARRY OUT ANY SITEWORKS, EXCAVATION, FILLING OR CONSTRUCT ANY FENCING OR RETAINING WALLS ON THE BURDENED LOT WITHOUT THE PRIOR WRITTEN CONSENT OF THE TRANSFEROR OR LEND LEASE.
- DELAY OR PERMIT TO BE DELAYED THE COMMENCEMENT OR COMPLETION OF ANY WORKS THAT HAVE BEEN APPROVED BY THE TRANSFEROR OR LEND LEASE IN ACCORDANCE WITH THE TIMEFRAMES STIPULATED IN THE DESIGN GUIDELINES.
- VARY OR ALLOW ANY VARIATION TO ANY WORKS THAT HAVE BEEN APPROVED BY THE TRANSFEROR OR LEND LEASE.
- ERECT, DISPLAY OR EXHIBIT OR ALLOW TO BE ERECTED, DISPLAYED OR EXHIBITED OR TO REMAIN ERECTED, DISPLAYED OR EXHIBITED ANY ADVERTISING SIGNAGE ADVERTISING THE LOT FOR SALE WITHOUT THE WRITTEN CONSENT OF LEND LEASE.
- CONSTRUCT OR PERMIT ANY CONSTRUCTION WORKS ON THE BURDENED LOT WITHOUT ENSURING THAT ALL EXISTING TREES AND VEGETATION ON THE LAND AREA PRESERVED WHERE POSSIBLE, INCLUDING WITHOUT LIMITATION, NOT LAYING ANY TRENCHING IN THE ROOT ZONES OR BENEATH TREE CANOPIES.
- LAY ANY ROUTES FOR SERVICES SO AS TO DISTURB ANY TREE LOCATED WITHIN THE BURDENED LOT.

EXPIRY:

THIS RESTRICTION CEASES TO HAVE EFFECT FOLLOWING AFTER EITHER;

- THE ISSUE OF AN OCCUPANCY PERMIT UNDER THE BUILDING ACT 1993 (OR SIMILAR) IN RESPECT OF A BUILDING ON EVERY RESIDENTIAL LOT ON THIS PLAN.
- TEN YEARS FROM THE DATE OF REGISTRATION OF THIS PLAN.

PS738256X

**SUBDIVISION ACT 1988
CREATION OF RESTRICTION 'C'**

UPON REGISTRATION OF THIS PLAN THE FOLLOWING RESTRICTION IS CREATED

LAND TO BENEFIT: RESERVE No.1

LAND TO BE BURDENED: LOT 442

DESCRIPTION OF RESTRICTION:

THE REGISTERED PROPRIETOR OR PROPRIETORS FOR THE TIME BEING OF ANY BURDENED LOT ON THIS PLAN OF SUBDIVISION SHALL NOT AT ANY TIME ON THE SAID LOT:

- (i) REMOVE OR IN ANY WAY DAMAGE ANY PART OF THE FENCE ABUTTING OPEN SPACE, TREE RESERVES OR UTILITY RESERVES WHICH HAS BEEN BUILT OR INSTALLED WITHIN THE BURDENED LAND;
- (ii) ALLOW ANY SUCH FENCE TO FALL INTO A STATE OF NEGLECT OR DISREPAIR AT ANY TIME (EXCLUDING THE REMOVAL OF GRAFFITI OR WHERE DAMAGE TO THE FENCE IS CAUSED BY THE COUNCIL OR ITS REPRESENTATIVES).



Beveridge Williams
development & environment consultants

Melbourne ph : 03 9524 8888

www.beveridgewilliams.com.au

SURVEYORS REF
1300940/4

Digitally signed by: Sean Adrian O'Connor (Beveridge
Williams & Co Pty Ltd - Malvern),
Surveyor's Plan Version (14),
23/12/2016

ORIGINAL SHEET
SIZE: A3

SHEET 5

Digitally signed by:
Whittlesea City Council,
04/01/2017,
SPEAR Ref: S069743J

PLANNING CERTIFICATE

Official certificate issued under Section 199 Planning & Environment Act 1987
and the Planning and Environment Regulations 2005

CERTIFICATE REFERENCE NUMBER

1220768

APPLICANT'S NAME & ADDRESS

MARCUS & MARCUS C/- INFOTRACK (LEAP) C/- LANDATA
DOCKLANDS

VENDOR

FRACZAK, MICHAEL ANTHONY

PURCHASER

NOT KNOWN, NOT KNOWN

REFERENCE

375814

This certificate is issued for:

LOT 434 PLAN PS738256 ALSO KNOWN AS 1 BARHAM WAY WOLLERT
WHITTLESEA CITY

The land is covered by the:

WHITTLESEA PLANNING SCHEME

The Minister for Planning is the responsible authority issuing the Certificate.

The land:

- is included in a COMPREHENSIVE DEVELOPMENT ZONE 4
- is within a VEGETATION PROTECTION OVERLAY - SCHEDULE 2
- and a DEVELOPMENT PLAN OVERLAY - SCHEDULE 23

A detailed definition of the applicable Planning Scheme is available at :
<http://planningschemes.dpcd.vic.gov.au/schemes/whittlesea>

Historic buildings and land protected under the Heritage Act 1995 are recorded in the Victorian Heritage Register at:

<http://vhd.heritage.vic.gov.au/>

Additional site-specific controls may apply.
The Planning Scheme Ordinance should be checked carefully.

The above information includes all amendments to planning scheme maps placed on public exhibition up to the date of issue of this certificate and which are still the subject of active consideration

Copies of Planning Schemes and Amendments can be inspected at the relevant municipal offices.

LANDATA@
T: (03) 9102 0402
E: landata.enquiries@servictoria.com.au

04 February 2026

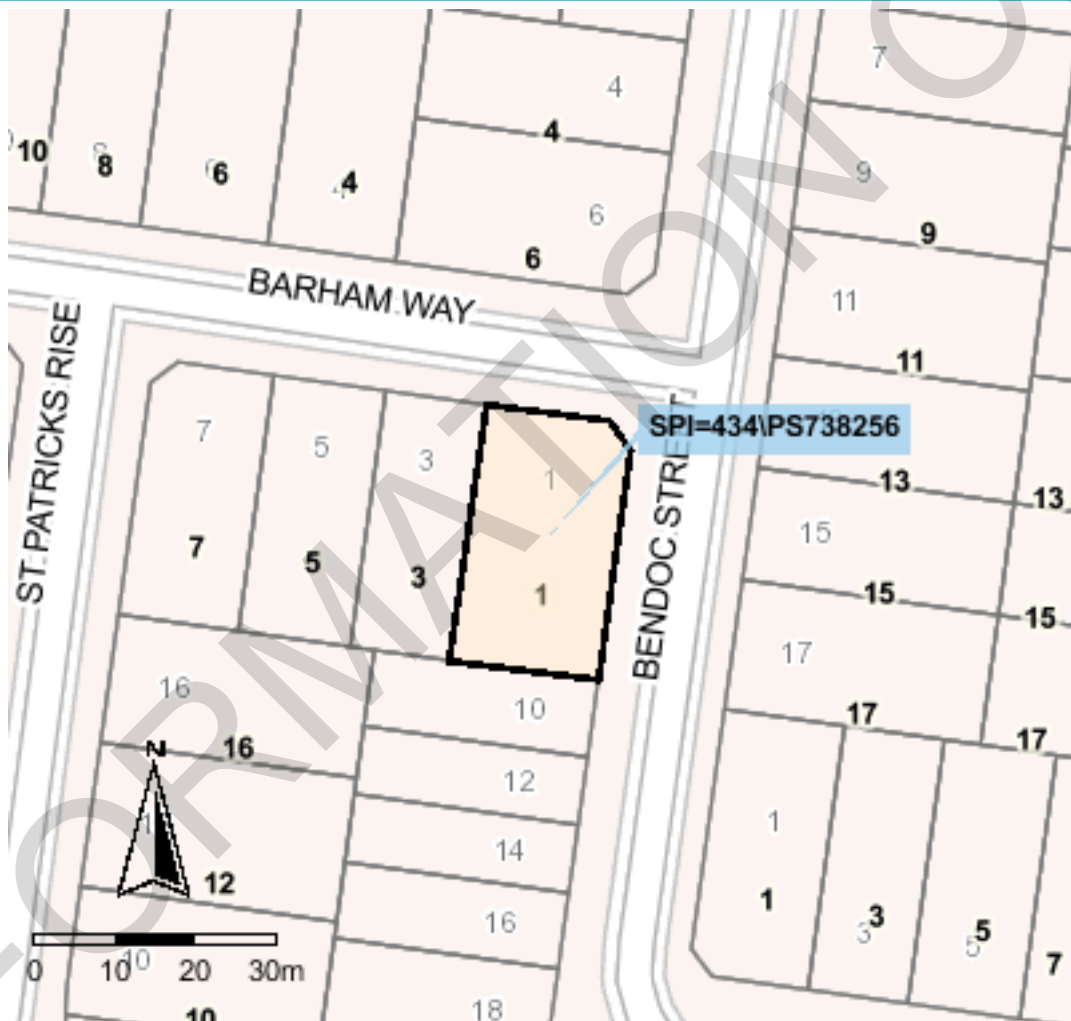
Sonya Kilkenny
Minister for Planning

The attached certificate is issued by the Minister for Planning of the State of Victoria and is protected by statute.

The document has been issued based on the property information you provided. You should check the map below - it highlights the property identified from your information.

If this property is different to the one expected, you can phone (03) 9102 0402 or email landata.enquiries@servictoria.com.au

Please note: The map is for reference purposes only and does not form part of the certificate.



Copyright © State Government of Victoria. Service provided by maps.land.vic.gov.au

Choose the authoritative Planning Certificate

Why rely on anything less?

As part of your section 32 statement, the authoritative Planning Certificate provides you and / or your customer with the statutory protection of the State of Victoria.

Order online before 4pm to receive your authoritative Planning Certificate the same day, in most cases within the hour. Next business day delivery, if further information is required from you.

Privacy Statement

The information obtained from the applicant and used to produce this certificate was collected solely for the purpose of producing this certificate. The personal information on the certificate has been provided by the applicant and has not been verified by LANDATA®. The property information on the certificate has been verified by LANDATA®. The zoning information on the certificate is protected by statute. The information on the certificate will be retained by LANDATA® for auditing purposes and will not be released to any third party except as required by law.

Property Clearance Certificate

Land Tax



INFOTRACK / MARCUS & MARCUS

Your Reference:	182134
Certificate No:	96820385
Issue Date:	04 FEB 2026
Enquiries:	ESYSPROD

Land Address: 1 BARHAM WAY WOLLERT VIC 3750

Land Id	Lot	Plan	Volume	Folio	Tax Payable
44026862	434	738256	11863	350	\$0.00

Vendor: ALEXANDRA FRACZAK & MICHAEL ANTHONY FRACZAK

Purchaser: FOR INFORMATION PURPOSES

Current Land Tax	Year Taxable Value (SV)	Proportional Tax	Penalty/Interest	Total
MR MICHAEL ANTHONY FRACZAK	2026	\$525,000	\$0.00	\$0.00


Comments: Property is exempt: LTX Principal Place of Residence.

Current Vacant Residential Land Tax	Year Taxable Value (CIV)	Tax Liability	Penalty/Interest	Total
-------------------------------------	--------------------------	---------------	------------------	-------

Comments:

Arrears of Land Tax	Year	Proportional Tax	Penalty/Interest	Total
---------------------	------	------------------	------------------	-------

This certificate is subject to the notes that appear on the reverse. The applicant should read these notes carefully.


Paul Broderick
Commissioner of State Revenue

CAPITAL IMPROVED VALUE (CIV):	\$1,050,000
SITE VALUE (SV):	\$525,000
CURRENT LAND TAX AND VACANT RESIDENTIAL LAND TAX CHARGE:	\$0.00

Notes to Certificate - Land Tax

Certificate No: 96820385

Power to issue Certificate

1. Pursuant to section 95AA of the *Taxation Administration Act 1997*, the Commissioner of State Revenue must issue a Property Clearance Certificate (Certificate) to an owner, mortgagee or bona fide purchaser of land who makes an application specifying the land for which the Certificate is sought and pays the application fee.

Amount shown on Certificate

2. The Certificate shows any land tax (including Vacant Residential Land Tax, interest and penalty tax) that is due and unpaid on the land described in the Certificate at the date of issue. In addition, it may show:
 - Land tax that has been assessed but is not yet due,
 - Land tax for the current tax year that has not yet been assessed, and
 - Any other information that the Commissioner sees fit to include, such as the amount of land tax applicable to the land on a single holding basis and other debts with respect to the property payable to the Commissioner.

Land tax is a first charge on land

3. Unpaid land tax (including Vacant Residential Land Tax, interest and penalty tax) is a first charge on the land to which it relates. This means it has priority over any other encumbrances on the land, such as a mortgage, and will continue as a charge even if ownership of the land is transferred. Therefore, a purchaser may become liable for any such unpaid land tax.

Information for the purchaser

4. Pursuant to section 96 of the *Land Tax Act 2005*, if a purchaser of the land described in the Certificate has applied for and obtained a certificate, the amount recoverable from the purchaser by the Commissioner cannot exceed the amount set out in the certificate, described as the "Current Land Tax Charge and Vacant Residential Land Tax Charge" overleaf. A purchaser cannot rely on a Certificate obtained by the vendor.

Information for the vendor

5. Despite the issue of a Certificate, the Commissioner may recover a land tax liability from a vendor, including any amount identified on this Certificate.

Apportioning or passing on land tax to a purchaser

6. A vendor is prohibited from apportioning or passing on land tax including vacant residential land tax, interest and penalty tax to a purchaser under a contract of sale of land entered into on or after 1 January 2024, where the purchase price is less than \$10 million (to be indexed annually from 1 January 2025, as set out on the website for Consumer Affairs Victoria).

General information

7. A Certificate showing no liability for the land does not mean that the land is exempt from land tax. It means that there is nothing to pay at the date of the Certificate.
8. An updated Certificate may be requested free of charge via our website, if:
 - The request is within 90 days of the original Certificate's issue date, and
 - There is no change to the parties involved in the transaction for which the Certificate was originally requested.

For Information Only

LAND TAX CALCULATION BASED ON SINGLE OWNERSHIP

Land Tax = \$2,025.00

Taxable Value = \$525,000

Calculated as \$1,350 plus (\$525,000 - \$300,000) multiplied by 0.300 cents.

VACANT RESIDENTIAL LAND TAX CALCULATION

Vacant Residential Land Tax = \$10,500.00

Taxable Value = \$1,050,000

Calculated as \$1,050,000 multiplied by 1.000%.

Land Tax - Payment Options

BPAY



Billir Code:5249
Ref: 96820385

Telephone & Internet Banking - BPAY®

Contact your bank or financial institution to make this payment from your cheque, savings, debit or transaction account.

www.bpay.com.au

CARD



Ref: 96820385

Visa or Mastercard

Pay via our website or phone 13 21 61.
A card payment fee applies.

sro.vic.gov.au/paylandtax

Property Clearance Certificate

Commercial and Industrial Property Tax



INFOTRACK / MARCUS & MARCUS

Your Reference:	182134
Certificate No:	96820385
Issue Date:	04 FEB 2026
Enquires:	ESYSPROD

Land Address: 1 BARHAM WAY WOLLERT VIC 3750

Land Id	Lot	Plan	Volume	Folio	Tax Payable
44026862	434	738256	11863	350	\$0.00
AVPCC	Date of entry into reform	Entry interest	Date land becomes CIPT taxable land	Comment	
110	N/A	N/A	N/A	The AVPCC allocated to the land is not a qualifying use.	

This certificate is subject to the notes found on the reverse of this page. The applicant should read these notes carefully.

Paul Broderick
Commissioner of State Revenue

CAPITAL IMPROVED VALUE:	\$1,050,000
SITE VALUE:	\$525,000
CURRENT CIPT CHARGE:	\$0.00

Notes to Certificate - Commercial and Industrial Property Tax

Certificate No: 96820385

Power to issue Certificate

1. Pursuant to section 95AA of the *Taxation Administration Act 1997*, the Commissioner of State Revenue must issue a Property Clearance Certificate (Certificate) to an owner, mortgagee or bona fide purchaser of land who makes an application specifying the land for which the Certificate is sought and pays the application fee.

Amount shown on Certificate

2. The Certificate shows any commercial and industrial property tax (including interest and penalty tax) that is due and unpaid on the land described in the Certificate at the date of issue.

Australian Valuation Property Classification Code (AVPCC)

3. The Certificate may show one or more AVPCC in respect of land described in the Certificate. The AVPCC shown on the Certificate is the AVPCC allocated to the land in the most recent of the following valuation(s) of the land under the *Valuation of Land Act 1960*:
 - a general valuation of the land;
 - a supplementary valuation of the land returned after the general valuation.
4. The AVPCC(s) shown in respect of land described on the Certificate can be relevant to determine if the land has a qualifying use, within the meaning given by section 4 of the *Commercial and Industrial Property Tax Reform Act 2024* (CIPT Act). Section 4 of the CIPT Act Land provides that land will have a qualifying use if:
 - the land has been allocated one, or more than one, AVPCC in the latest valuation, all of which are in the range 200-499 and/or 600-699 in the Valuation Best Practice Specifications Guidelines (the requisite range);
 - the land has been allocated more than one AVPCC in the latest valuation, one or more of which are inside the requisite range and one or more of which are outside the requisite range, and the land is used solely or primarily for a use described in an AVPCC in the requisite range; or
 - the land is used solely or primarily as eligible student accommodation, within the meaning of section 3 of the CIPT Act.

Commercial and industrial property tax information

5. If the Commissioner has identified that land described in the Certificate is tax reform scheme land within the meaning given by section 3 of the CIPT Act, the Certificate may show in respect of the land:
 - the date on which the land became tax reform scheme land;
 - whether the entry interest (within the meaning given by section 3 of the Duties Act 2000) in relation to the tax reform scheme land was a 100% interest (a whole interest) or an interest of less than 100% (a partial interest); and
 - the date on which the land will become subject to the commercial and industrial property tax.
6. A Certificate that does not show any of the above information in respect of land described in the Certificate does not mean that the land is not tax reform scheme land. It means that the Commissioner has not identified that the land is tax reform scheme land at the date of issue of the Certificate. The Commissioner may identify that the land is tax reform scheme land after the date of issue of the Certificate.

Change of use of tax reform scheme land

7. Pursuant to section 34 of the CIPT Act, an owner of tax reform scheme land must notify the Commissioner of certain changes of use of tax reform scheme land (or part of the land) including if the actual use of the land changes to a use not described in any AVPCC in the range 200-499 and/or 600-699. The notification

must be given to the Commissioner within 30 days of the change of use.

Commercial and industrial property tax is a first charge on land

8. Commercial and industrial property tax (including any interest and penalty tax) is a first charge on the land to which the commercial and industrial property tax is payable. This means it has priority over any other encumbrances on the land, such as a mortgage, and will continue as a charge even if ownership of the land is transferred. Therefore, a purchaser may become liable for any unpaid commercial and industrial property tax.

Information for the purchaser

9. Pursuant to section 27 of the CIPT Act, if a bona fide purchaser for value of the land described in the Certificate applies for and obtains a Certificate in respect of the land, the maximum amount recoverable from the purchaser is the amount set out in the Certificate. A purchaser cannot rely on a Certificate obtained by the vendor.

Information for the vendor

10. Despite the issue of a Certificate, the Commissioner may recover a commercial and industrial property tax liability from a vendor, including any amount identified on this Certificate.

Passing on commercial and industrial property tax to a purchaser

11. A vendor is prohibited from apportioning or passing on commercial and industrial property tax to a purchaser under a contract of sale of land entered into on or after 1 July 2024 where the purchase price is less than \$10 million (to be indexed annually from 1 January 2025, as set out on the website for Consumer Affairs Victoria).

General information

12. Land enters the tax reform scheme if there is an entry transaction, entry consolidation or entry subdivision in respect of the land (within the meaning given to those terms in the CIPT Act). Land generally enters the reform on the date on which an entry transaction occurs in respect of the land (or the first date on which land from which the subject land was derived (by consolidation or subdivision) entered the reform).
13. The Duties Act includes exemptions from duty, in certain circumstances, for an eligible transaction (such as a transfer) of tax reform scheme land that has a qualifying use on the date of the transaction. The exemptions apply differently based on whether the entry interest in relation to the land was a whole interest or a partial interest. For more information, please refer to www.sro.vic.gov.au/CIPT.
14. A Certificate showing no liability for the land does not mean that the land is exempt from commercial and industrial property tax. It means that there is nothing to pay at the date of the Certificate.
15. An updated Certificate may be requested free of charge via our website, if:
 - the request is within 90 days of the original Certificate's issue date, and
 - there is no change to the parties involved in the transaction for which the Certificate was originally requested.

Property Clearance Certificate

Windfall Gains Tax



INFOTRACK / MARCUS & MARCUS

Your Reference:	182134
Certificate No:	96820385
Issue Date:	04 FEB 2026

Land Address: 1 BARHAM WAY WOLLERT VIC 3750

Lot	Plan	Volume	Folio
434	738256	11863	350

Vendor: ALEXANDRA FRACZAK & MICHAEL ANTHONY FRACZAK

Purchaser: FOR INFORMATION PURPOSES

WGT Property Id	Event ID	Windfall Gains Tax	Deferred Interest	Penalty/Interest	Total
		\$0.00	\$0.00	\$0.00	\$0.00

Comments: No windfall gains tax liability identified.

This certificate is subject to the notes that appear on the reverse. The applicant should read these notes carefully.

CURRENT WINDFALL GAINS TAX CHARGE:
\$0.00

Paul Broderick
Commissioner of State Revenue

Notes to Certificate - Windfall Gains Tax

Certificate No: 96820385

Power to issue Certificate

1. Pursuant to section 95AA of the *Taxation Administration Act 1997*, the Commissioner of State Revenue must issue a Property Clearance Certificate (Certificate) to an owner, mortgagee or bona fide purchaser of land who makes an application specifying the land for which the Certificate is sought and pays the application fee.

Amount shown on Certificate

2. The Certificate shows in respect of the land described in the Certificate:
 - Windfall gains tax that is due and unpaid, including any penalty tax and interest
 - Windfall gains tax that is deferred, including any accrued deferral interest
 - Windfall gains tax that has been assessed but is not yet due
 - Windfall gains tax that has not yet been assessed (i.e. a WGT event has occurred that rezones the land but any windfall gains tax on the land is yet to be assessed)
 - Any other information that the Commissioner sees fit to include such as the amount of interest accruing per day in relation to any deferred windfall gains tax.

Windfall gains tax is a first charge on land

3. Pursuant to section 42 of the *Windfall Gains Tax Act 2021*, windfall gains tax, including any accrued interest on a deferral, is a first charge on the land to which it relates. This means it has priority over any other encumbrances on the land, such as a mortgage, and will continue as a charge even if ownership of the land is transferred. Therefore, a purchaser may become liable for any unpaid windfall gains tax.

Information for the purchaser

4. Pursuant to section 42 of the *Windfall Gains Tax Act 2021*, if a bona fide purchaser for value of land applies for and obtains a Certificate in respect of the land, the maximum amount recoverable from the purchaser by the Commissioner is the amount set out in the certificate, described as the "Current Windfall Gains Tax Charge" overleaf.
5. If the certificate states that a windfall gains tax is yet to be assessed, note 4 does not apply.
6. A purchaser cannot rely on a Certificate obtained by the vendor.

Information for the vendor

7. Despite the issue of a Certificate, the Commissioner may recover a windfall gains tax liability from a vendor, including any amount identified on this Certificate.

Passing on windfall gains tax to a purchaser

8. A vendor is prohibited from passing on a windfall gains tax liability to a purchaser where the liability has been assessed under a notice of assessment as at the date of the contract of sale of land or option agreement. This prohibition does not apply to a contract of sale entered into before 1 January 2024, or a contract of sale of land entered into on or after 1 January 2024 pursuant to the exercise of an option granted before 1 January 2024.

General information

9. A Certificate showing no liability for the land does not mean that the land is exempt from windfall gains tax. It means that there is nothing to pay at the date of the Certificate.
10. An updated Certificate may be requested free of charge via our website, if:
 - The request is within 90 days of the original Certificate's issue date, and
 - There is no change to the parties involved in the transaction for which the Certificate was originally requested.
11. Where a windfall gains tax liability has been deferred, interest accrues daily on the deferred liability. The deferred interest shown overleaf is the amount of interest accrued to the date of issue of the certificate.

Windfall Gains Tax - Payment Options

BPAY



Billers Code: 416073
Ref: 96820386

Telephone & Internet Banking - BPAY®

Contact your bank or financial institution to make this payment from your cheque, savings, debit or transaction account.

www.bpay.com.au

CARD



Ref: 96820386

Visa or Mastercard

Pay via our website or phone 13 21 61.
A card payment fee applies.

sro.vic.gov.au/payment-options

Important payment information

Windfall gains tax payments must be made using only these specific payment references.

Using the incorrect references for the different tax components listed on this property clearance certificate will result in misallocated payments.

Date of issue
05/02/2026

Assessment No.
990481

Certificate No.
180942

Your reference
79538117-015-1

Landata
GPO Box 527
MELBOURNE VIC 3001

Land information certificate for the rating year ending 30 June 2026

Property location: 1 Barham Way WOLLERT 3750

Description: LOT: 434 PS: 738256X

AVPCC: 110 Detached Dwelling

Level of values date	Valuation operative date	Capital Improved Value	Site Value	Net Annual Value
1 January 2025	1 July 2025	\$1,050,000	\$525,000	\$52,500

The Net Annual Value is used for rating purposes. The Capital Improved Value is used for fire levy purposes.

1. Rates, charges and other monies:

Rates and charges were declared with effect from 1 July 2025 and are payable by quarterly instalments due 30 Sep. (1st), 30 Nov. (2nd), 28 Feb. (3rd) and 31 May (4th) or in a lump sum by 15 Feb.

Rates & charges

General rate levied on 01/07/2025	\$2,482.56
Food/Green waste bin charge levied on 01/07/2025	\$95.30
ESVF Fixed charge (Res) levied on 01/07/2025	\$136.00
ESVF Variable Levy (Res) levied on 01/07/2025	\$181.65
Waste Service Charge (Res/Rural) levied on 01/07/2025	\$208.80
Waste Landfill Levy Res/Rural levied on 01/07/2025	\$105.85
Arrears to 30/06/2025	\$167.12
Interest to 05/02/2026	\$1.48
Other adjustments	\$0.00
Less Concessions	\$0.00
Sustainable land management rebate	\$0.00
Payments	-\$1,845.00

Balance of rates & charges due: \$1,533.76

Property debts

Other debtor amounts

Special rates & charges

nil

Total rates, charges and other monies due \$1,533.76

Verbal updates may be obtained within 3 months of the date of issue by calling (03) 9217 2170.

Council Offices

25 Ferres Boulevard, South Morang VIC 3752

Mail to: Locked Bag 1, Bundoora MDC VIC 3083

Phone: 9217 2170

National Relay Service: 133 677 (ask for 9217 2170)

Email: info@whittlesea.vic.gov.au

Free telephone interpreter service

 **131 450**

2. Outstanding or potential liability / sub-divisional requirement:

There is no potential liability for rates under the Cultural and Recreational Lands Act 1963.

There is no outstanding amount required to be paid for recreational purposes or any transfer of land required to Council for recreational purposes under section 18 of the Subdivision Act 1988.

3. Notices and orders:

The following notices and orders on the land have continuing application under the *Local Government Act 2020*, *Local Government Act 1989* or under a local law of the Council:

No Orders applicable.

4. Specified flood level:

There is no specified flood level within the meaning of Regulation 802(2) of the Building Regulations 2006.

5. Special notes:

The purchaser must pay all rates and charges outstanding, immediately upon settlement. Payments shown on this certificate are subject to clearance by the bank.

Interest penalty on late payments

Overdue amounts will be charged penalty interest as fixed under the *Penalty Interest Rates Act 1983*. It will be applied after the due date of an instalment. For lump sum payers intending to pay by 15 February, interest penalty will be applied after the due date of the lump sum, but calculated on each of the instalment amounts that are overdue from the day after their due dates. In all cases interest penalty will continue to accrue until all amounts are paid in full.

6. Other information:



Authorising Officer

This certificate provides information regarding valuation, rates, charges, other moneys owing and any orders and notices made under the *Local Government Act 2020*, the *Local Government Act 1989*, the *Local Government Act 1958* or under a local law of the Council.

This certificate is not required to include information regarding planning, building, health, land fill, land slip, flooding information or service easements. Information regarding these matters may be available from Council or the relevant authority. A fee may be charged for such information.

Payment can be made using these options.



www.whittlesea.vic.gov.au
Ref 990481



Phone 1300 301 185
Ref 990481



Billers Code 5157
Ref 990481

Enquiries: *Building and Planning Administration 9217 2259*
Buildplan@whittlesea.vic.gov.au

Your Ref: 79538117-017-5, 79538117-018-2

6 February 2026

Landata

**BUILDING REGULATION 51 1 (a) (b) (c) and
51 2 (a) (b) (c) (d) (e) PROPERTY INFORMATION
1 (Lot 434) Barham Way WOLLERT**

Further to your application for property information for the above address I write to advise the following:

Regulation 51 1 (a)*

Building Permit No	Permit Date	Brief Description of Works	Final / Occupancy Permit Date Issued
BS-27484/20170949/0	16/05/2017	Dwelling	14/11/2017

Regulation 51 1 (b) (c)*

Details of any current statement issued under Regulation 64(1) or 231(2) of these Regulations **Not Applicable**
 Details of any current notice or order issued by the relevant building surveyor under the Act **No**
(Please consult with Owner for copy of Building Notice where applicable)

Council Offices
 25 Ferres Boulevard
 South Morang VIC 3752
 Locked Bag 1
 Bundoora MDC VIC 3083
 ABN 72 431 091 058

Tel 03 9217 2170
Fax 03 9217 2111
TTY 133 677 (ask for 9217 2170)
Email info@whittlesea.vic.gov.au
www.whittlesea.vic.gov.au

 **Free Telephone Interpreter Service**

عربي	9679 9871	Hrvatski	9679 9872
廣東話	9679 9857	Ελληνικά	9679 9873
Italiano	9679 9874	Türkçe	9679 9877
Македонски	9679 9875	Việt-ngữ	9679 9878
普通话	9679 9876	Other	9679 9879

Regulation 51 2 (a) (b) (c) (d) (e)**

Flood Prone Area	No
Termite Prone Area	No
A BAL has been specified in a Planning Scheme	No
Alpine Snowfall Prone Area	No
Designated Land or Works	No
Is an Infrastructure Levy applicable?	No
<i>If Yes –Please check Council's website for current applicable rate and payment methods</i>	

*This information relates only to the structures itemised. It does not mean that there are no illegal or non-complying structures to be found on this allotment. Prospective owners are advised accordingly. Information older than ten (10) years, or details of building inspection approval dates, may be obtained from Council if necessary for an additional fee. Please contact Building Services on 9217 2259 if you wish to take advantage of this service. Council is not responsible for the validity or accuracy of any information provided by private building surveying firms as may be noted above. Please contact any private permit provider as noted accordingly (where applicable) to address any concerns you may have.

**In accordance with the Building regulations, Council no longer designates "bushfire prone areas". This function is now the responsibility of The Minister for Planning who has declared portions of the Municipality as designated bushfire prone areas. This mapping is available via www.planning.vic.gov.au. The severity of bushfire attack can be determined by a Bushfire Attack Level Assessment (BAL).

Australian Height Datum details relating to any flood areas determined under the Water Act 1989 may be obtained by contacting Melbourne Water on 131722.

New Swimming Pool and Spa Regulations commenced in Victoria on the 1 December 2019. Property owners must have their swimming pool and spas registered with Council and ongoing safety barrier compliance checks. For more information, please visit www.whittlesea.vic.gov.au/pools.

NOTE: Point of Discharge Information is provided by the Engineering and Transportation Department, if you would like to check the status of your point of discharge information please email Engineering.Services@whittlesea.vic.gov.au or call 9217 2170.

Yours sincerely

**BUILDING AND PLANNING
CITY OF WHITTLESEA**

Enquiries: *Building and Planning Administration 9217 2259*
Buildplan@whittlesea.vic.gov.au

Your Ref: 79538117-017-5, 79538117-018-2

6 February 2026

Landata

**BUILDING REGULATION 51 1 (a) (b) (c) and
51 2 (a) (b) (c) (d) (e) PROPERTY INFORMATION
1 (Lot 434) Barham Way WOLLERT**

Further to your application for property information for the above address I write to advise the following:

Regulation 51 1 (a)*

Building Permit No	Permit Date	Brief Description of Works	Final / Occupancy Permit Date Issued
BS-27484/20170949/0	16/05/2017	Dwelling	14/11/2017

Regulation 51 1 (b) (c)*

Details of any current statement issued under Regulation 64(1) or 231(2) of these Regulations	Not Applicable
Details of any current notice or order issued by the relevant building surveyor under the Act	No

(Please consult with Owner for copy of Building Notice where applicable)

Council Offices
 25 Ferres Boulevard
 South Morang VIC 3752
 Locked Bag 1
 Bundoora MDC VIC 3083
 ABN 72 431 091 058

Tel 03 9217 2170
Fax 03 9217 2111
TTY 133 677 (ask for 9217 2170)
Email info@whittlesea.vic.gov.au
www.whittlesea.vic.gov.au

 **Free Telephone Interpreter Service**

عربي	9679 9871	Hrvatski	9679 9872
廣東話	9679 9857	Ελληνικά	9679 9873
Italiano	9679 9874	Türkçe	9679 9877
Македонски	9679 9875	Việt-ngữ	9679 9878
普通话	9679 9876	Other	9679 9879

Regulation 51 2 (a) (b) (c) (d) (e)**

Flood Prone Area	No
Termite Prone Area	No
A BAL has been specified in a Planning Scheme	No
Alpine Snowfall Prone Area	No
Designated Land or Works	No
Is an Infrastructure Levy applicable?	No
<i>If Yes –Please check Council's website for current applicable rate and payment methods</i>	

*This information relates only to the structures itemised. It does not mean that there are no illegal or non-complying structures to be found on this allotment. Prospective owners are advised accordingly. Information older than ten (10) years, or details of building inspection approval dates, may be obtained from Council if necessary for an additional fee. Please contact Building Services on 9217 2259 if you wish to take advantage of this service. Council is not responsible for the validity or accuracy of any information provided by private building surveying firms as may be noted above. Please contact any private permit provider as noted accordingly (where applicable) to address any concerns you may have.

**In accordance with the Building regulations, Council no longer designates "bushfire prone areas". This function is now the responsibility of The Minister for Planning who has declared portions of the Municipality as designated bushfire prone areas. This mapping is available via www.planning.vic.gov.au. The severity of bushfire attack can be determined by a Bushfire Attack Level Assessment (BAL).

Australian Height Datum details relating to any flood areas determined under the Water Act 1989 may be obtained by contacting Melbourne Water on 131722.

New Swimming Pool and Spa Regulations commenced in Victoria on the 1 December 2019. Property owners must have their swimming pool and spas registered with Council and ongoing safety barrier compliance checks. For more information, please visit www.whittlesea.vic.gov.au/pools.

NOTE: Point of Discharge Information is provided by the Engineering and Transportation Department, if you would like to check the status of your point of discharge information please email Engineering.Services@whittlesea.vic.gov.au or call 9217 2170.

Yours sincerely

**BUILDING AND PLANNING
CITY OF WHITTLESEA**

4th February 2026

Marcus & Marcus C/- InfoTrack (LEAP) C/- LANDATA
LANDATA

Dear Marcus & Marcus C/- InfoTrack (LEAP) C/- LANDATA,

RE: Application for Water Information Statement

Property Address:	1 BARHAM WAY WOLLERT 3750
Applicant	Marcus & Marcus C/- InfoTrack (LEAP) C/- LANDATA LANDATA
Information Statement	31008559
Conveyancing Account Number	7959580000
Your Reference	375814

Thank you for your recent application for a Water Information Statement (WIS). We are pleased to provide you the WIS for the above property address. This statement includes:

- Yarra Valley Water Property Information Statement
- Melbourne Water Property Information Statement
- Asset Plan
- Conditions of Connection and Consent
- Rates Certificate

If you have any questions about Yarra Valley Water information provided, please phone us on **1300 304 688** or email us at the address propertyflow@yvw.com.au. For further information you can also refer to the Yarra Valley Water website at www.yvw.com.au.

Yours sincerely,



Lisa Anelli
GENERAL MANAGER
RETAIL SERVICES

Yarra Valley Water Property Information Statement

Property Address	1 BARHAM WAY WOLLERT 3750
------------------	---------------------------

STATEMENT UNDER SECTION 158 WATER ACT 1989

THE FOLLOWING INFORMATION RELATES TO SECTION 158(3)

Existing sewer mains will be shown on the Asset Plan.

THE FOLLOWING INFORMATION RELATES TO SECTION 158(4)

This property is in a mandated recycled water area and we supply both potable and recycled water to this property. For more information, visit yvw.com.au/recycled.

Please note: Unless prior consent has been obtained, the Water Act prohibits:

1. The erection and/or placement of any building, wall, bridge, fence, embankment, filling, material, machinery or other structure over or under any sewer or drain.
2. The connection of any drain or sewer to, or interference with, any sewer, drain or watercourse.

Melbourne Water Property Information Statement

Property Address	1 BARHAM WAY WOLLERT 3750
------------------	---------------------------

STATEMENT UNDER SECTION 158 WATER ACT 1989

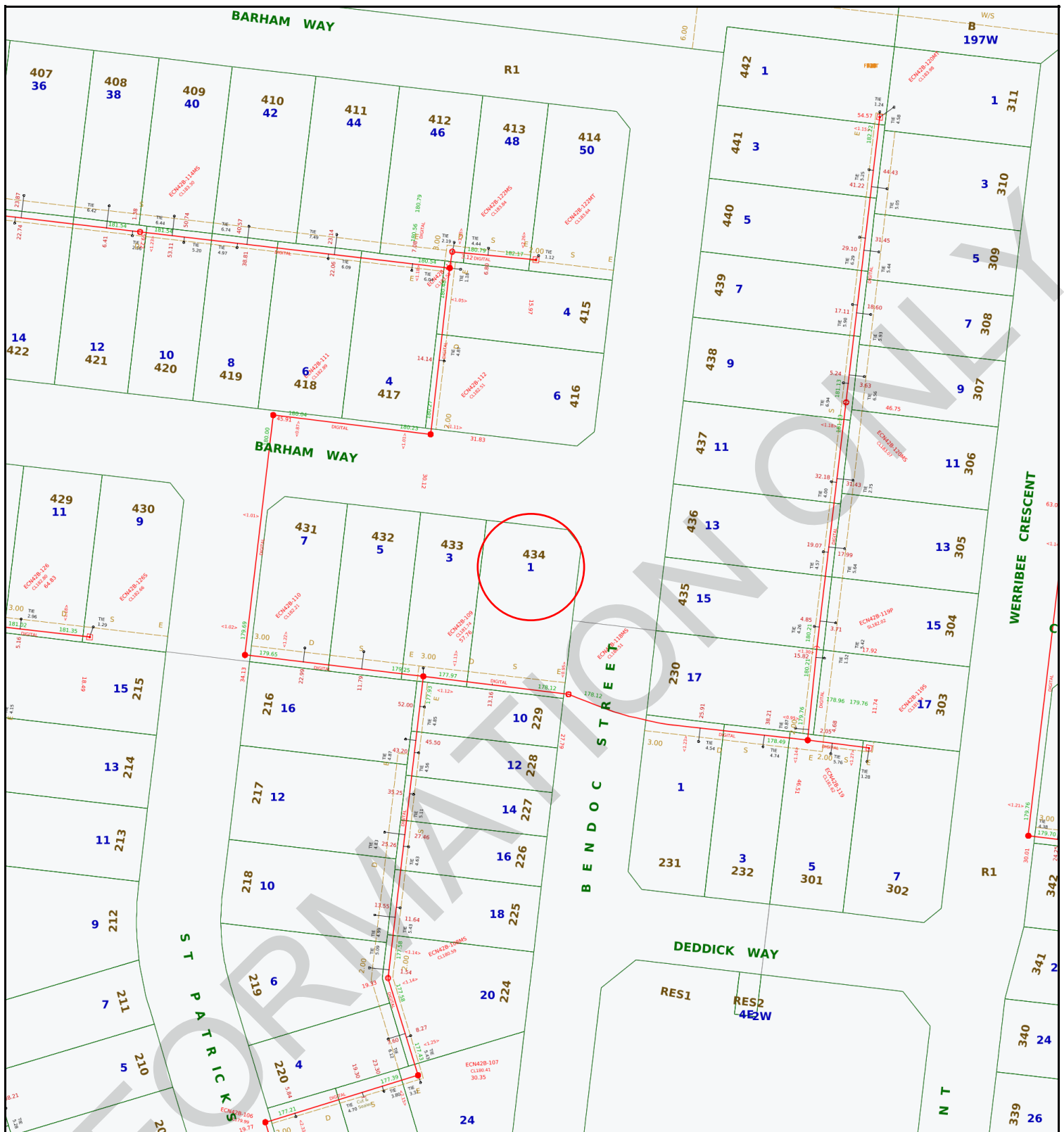
THE FOLLOWING INFORMATION RELATES TO SECTION 158(4)

Melbourne Water provides main drainage services to this property, consistent with the standards that applied at the time the Melbourne Water drainage system was constructed. In the event of a storm exceeding the design capacity of the underground / open drain, this property could be affected by overland flows. For further information please contact Melbourne Water on 9679 7517.

Please note: Unless prior consent has been obtained, the Water Act prohibits:

1. The erection and/or placement of any building, wall, bridge, fence, embankment, filling, material, machinery or other structure over or under any sewer or drain.
2. The connection of any drain or sewer to, or interference with, any sewer, drain or watercourse.

If you have any questions regarding Melbourne Water encumbrances or advisory information, please contact Melbourne Water on 9679 7517.











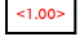


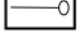


**Yarra Valley Water
Information Statement
Number: 31008559**

Address	1 BARHAM WAY WOLLERT 3750
Date	04/02/2026
Scale	1:1000



Yarra Valley Water
ABN 93 066 902 501

Existing Title		Access Point Number	 GLV2-42	MW Drainage Channel Centreline	
Proposed Title		Sewer Manhole		MW Drainage Underground Centreline	
Easement		Sewer Pipe Flow		MW Drainage Manhole	
Existing Sewer		Sewer Offset		MW Drainage Natural Waterway	
Abandoned Sewer		Sewer Branch			

Disclaimer: This information is supplied on the basis Yarra Valley Water Ltd:
 - Does not warrant the accuracy or completeness of the information supplied, including, without limitation, the location of Water and Sewer Assets;
 - Does not accept any liability for loss or damage of any nature, suffered or incurred by the recipient or any other persons relying on this information;
 - Recommends recipients and other persons using this information make their own site investigations and accommodate their works accordingly;

9th May 2017

Application ID: 255428

CONDITIONS OF CONNECTION

Approval is subject to payment of all charges and completion of conditions. This approval covers the following services and connections:

Approval Detail

Water

Required Services

Product	Qty
20mm Recycled Pressure Limiting Valve (PLV)	1
20mm Potable Pressure Limiting Valve (PLV)	1
Recycled Water Audit Fee (Includes GST)	1
New Estate Connect-Combo DW & RW (incl meters w/lock)	1

Sewer

Connection Or Disconnection Details

Sewer Connection Description	PSP Number
Water & Sewer Connection	1385019

Specific conditions affecting encumbrances on property:

Recycled Water

Conditions of Connection Details

GENERAL

In these conditions the terms,

- (a) 'You' and 'Your' refer to the owner of a property connected (or about to be connected) to Yarra Valley Water assets
- (b) 'We', 'Us' and 'Our' refer to Yarra Valley Water.

Section 145 of the Water Act 1989 details the legislative rights and responsibilities of both the applicant and Yarra Valley Water in relation to connection, alteration or removal and discharging to the works of Yarra Valley Water. These Conditions of Connection set out the terms and conditions to be satisfied for connecting a property to sewer, potable and recycled water.

These conditions are binding on successor-in-title of the person who applied for that consent, under section 145 of the Water Act 1989. If you are not the owner of the property, please provide a copy of this letter to the owner.

The Conditions of Connection must be handed to the Licensed Plumber. Any work which these Conditions of Connection require you to undertake, must be done by a Licensed Plumber, engaged by you, at your cost.

It is the Licensed Plumber's responsibility to ensure that the plumbing and drainage work is completed in accordance with the relevant plumbing regulations and to the satisfaction of the Victorian Building Authority – Plumbing.

Any sewer connection branch and the connecting works must be installed so that they comply, in all respects, with the:

- Plumbing Regulations 1998 (Vic);
 - Water Industry Regulations 2006 (Vic);
 - Building Act 1993 (Vic);
 - Relevant AS/NZS series of standards applicable to sewer connection branch and connecting works from time to time,
- and any other technical requirements which we reasonably specify.

It is the responsibility of the person performing any excavation in a road reserve to obtain a Road Opening Permit from the relevant Authority before any excavation work commences. All traffic management requirements contained in the permit must be complied with.

WATER

General water supply(s) are to be installed as referenced in the table of approval details of this document as required services. The table includes water main and connection details. In a mandated recycled water area recycling connections also apply and are referenced in the same table.

The pressure in this area is above 500kPa or will increase above 500kPa in the future for the potable water connection. A Pressure Limiting Valve (PLV) must be fitted by the Licensed Plumber at the time

of connection.

The pressure in this area is above 500kPa or will increase above 500kPa in the future for the recycled water connection. A Pressure Limiting Valve (PLV) must be fitted by the Licensed Plumber at the time of connection.

For 20mm and 25mm services and all services where a manifold is to be installed, the service pipe, including a meter assembly with a temporary spacer pipe and any relevant backflow device must be installed by the plumber, prior to the time of the tapping or meter installation. Meters are installed by Yarra Valley Waters plumbing contractor. For 32mm and larger services, the meter will be delivered to you and must be installed on the property prior to the tapping. The service pipe must also be installed prior to the tapping. All manifolds are to be located below ground and must be left exposed for Yarra Valley Water's plumbing contractor to inspect prior to installation of the meters. Failure to comply will result in the tapping being cancelled. A rebooking fee will be applicable when rebooking the tapping.

All tapplings, pluggings and metering products can be arranged using easyACCESS. Work must be carried out in accordance with the Water Metering & Servicing Guidelines (see our website). Once all fees have been paid and you are ready to book your plumbing products, please contact Yarra Valley Water's contractor Select Solutions on 1300 724 858. A phone call is not required if products are New Estate Connections or Combo Drinking Water & Recycled Water. Please allow a minimum of 10 business days' notice when contacting Select Solutions.

The dry tapping will be completed within 4 working days of your booking. Please note that if the location of the dry tapping is not suitable, a plug and retap will be required and a fee will apply. Should you wish to reschedule the booking, Yarra Valley Water's plumbing contractor can be contacted on 1300 724 858. If you wish to cancel the booking you will need to contact Yarra Valley Water (if applicable) to seek a refund. A cancellation fee may apply.

METER ASSEMBLIES & POSITIONING

It is the responsibility of the private plumber to ensure that containment, zone and individual backflow prevention is provided.

Water meter assemblies:

- a) Must be within 2 metres of the title boundary that abuts the water main
- b) Must be fitted at right angles to the water main, in line with the tapping
- c) Must be fully supported with minimum ground clearance of 150mm and should not be >300mm from the finished ground level to the base of the assembly
- d) Must not be encased in concrete surrounds
- e) Must be readily accessible for reading, maintenance and replacement. If Yarra Valley Water deem meters to be inaccessible, remote meters may be required at additional cost to the customer
- f) Can be installed in utility rooms or meter cabinets located within a common access area and must be readily accessible, subject to Yarra Valley Water's approval

If meters need to be moved >600mm a plugging and re-tapping must be booked and the relevant fee paid.

Meters which are in a public space such as a reserve or school must be protected by an appropriate cage to prevent tampering.

Meters are not permitted to be installed in pits unless prior approval has been given by Yarra Valley Water.

Meter assemblies must adhere to the meter installation diagrams available on the Yarra Valley Water website (www.yvw.com.au) to ensure the installations meet the required standard.

REMOVAL OF WATER METERS

Only Yarra Valley Water's plumbing contractor is permitted to remove water meters.

If redevelopment of the site is occurring and the meter is no longer required, a plugging of the service must be arranged and the meter will be collected by our contractor at the time of the plugging.

DAMAGED OR STOLEN METERS

If the builder/plumber damage a meter or meter assembly, it is the responsibility of the builder/plumber to rectify these assets back to the same condition as at time of installation by Yarra Valley Water.

- Failure to do so will result in Yarra Valley Water making the necessary amendments and recovering these costs from the property owner.
- Repeat offences may result in the services being plugged and re-booking fees will apply to have the services reinstated

Stolen meters are to be reported to Yarra Valley Water faults and emergencies:

- Call **13 2762** (24 hrs).
- Replacement of stolen meters can take up to 10 days. If replacement is required more urgently, please advise the operator at the time of the call.
- Until the meter is replaced no connections between the supply and the dwelling are to be reinstated. No straight pieces or alternative connections are allowed to be installed.

RECYCLED WATER CONDITIONS

Supplementary Conditions of Connection for Class A Recycled Water

IMPORTANT NOTICE - MUST BE PASSED TO THE PLUMBER & PROPERTY OWNER

Checklist	√ or X
------------------	---------------

This property must be connected to recycled water	
All toilets to be connected to recycled water	
Recycled water external taps front & back to be provided	
Laundry (washing machine stop tap) to be connected to recycled water	
All pipework to be inspected by YVW www.yvw.com.au/rwinspection	
All recycled water pipework to be purple as per AS3500	
Meters have not been moved. Only YVW can move the meters	

Subdivisions will not be issued with Statement of Compliance until these recycled water conditions and any other conditions imposed by YVW have been met.

These conditions are issued under Section 145 of the *Water Act 1989* ("the Act") and are applicable to properties supplied with Class A recycled water. These conditions are additional to any other conditions issued in relation to water supply and sewerage works. **Penalties apply under the Act for breaches of these conditions.**

Recycled Water Supply

In addition to the drinking water supply, this property must be connected to the Class A recycled water supply system.

Until Class A recycled water becomes available in the recycled water pipes, the property will be supplied with drinking water only. Drinking water will be supplied through both the drinking water and the Class A recycled water systems.

Residents will be advised prior to the Class A recycled water supply becoming available.

1. Breaching these Conditions

1.1. Yarra Valley Water may undertake follow up action under *the Act* for observed non-compliance to these conditions. Action may include:

- (a) Serving a Notice to the applicant or property owner under Sections 150/151 of *the Act*. If a Notice is not complied with Yarra Valley Water will carry out any works and take any other action necessary to remedy the contravention and recover reasonable costs from the person on whom the Notice was served
- (b) Discontinuation of supply without notice under Section 168 of *the Act*
- (c) Escalation to relevant authorities including the Victorian Building Authority (VBA)

2. Class A Recycled Water Agreement and Environment Improvement Plan (EIP) - Non-Residential only

2.1. For non-residential properties where Class A recycled water is available, upon:

- (a) connection of the property to the Class A recycled water supply system; or
- (b) change in the intended use of Class A recycled water at the property; and/or
- (c) change in the user (either property owner or tenant) of Class A recycled water at the property

the property owner must:

- (i) advise Yarra Valley Water of the intended use and the name of the user of Class A recycled water at the property to enable a risk assessment to be completed for approval of the use of Class A recycled water at the property; and
- (ii) where required by Yarra Valley Water, ensure the user of Class A recycled water at the property submits an EIP to Yarra Valley Water's satisfaction and enters into a Class A Recycled Water Agreement with Yarra Valley Water.

In the case of section 2.1(a), the requirements in section 2.1 must be met prior to Class A recycled water being connected to the property. In the case of section 2.1(b) and/or 2.1(c), Yarra Valley Water may cease supply of Class A recycled water to the property until the conditions of section 2.1 are met.

For further details, please email recycledwater@yvw.com.au.

3. Recycled Water Plumbing

3.1. Toilet cisterns

- (a) Residential
 - (i) All toilet cisterns (**excluding bidets**) must be connected to the Class A Recycled Water Supply.
 - (ii) Toilets with an integrated bidet **are not** to be connected to the Class A Recycled Water Supply.
- (b) Non-Residential
 - (i) All toilet cisterns (**excluding bidets**) must be connected to the Class A Recycled Water Supply unless YVW has otherwise received and approved an application to the contrary.
 - (ii) Toilets with an integrated bidet **are not** to be connected to the Class A Recycled Water Supply.

3.2. Rainwater Tanks

- (a) Rainwater tanks may be used for outdoor taps, irrigation systems and flushing of toilets.
- (b) Backup supply to the rainwater tank is only to be provided via an automatic changeover device connected to the Class A recycled water supply. All pipework must be appropriately marked as "Recycled or Reclaimed Water – Do Not Drink" and taps must comply with the recycled water plumbing requirements.

3.3. External Taps – Residential

- (a) An external recycled water tap must be installed to service the **front** of the property:
 - (i) Yarra Valley Water supplies a purple recycled water riser and tap with removable tap handle and signage at the time of the tapping for single residential lots/houses. The tap can be relocated by the private plumber if required but not removed. **Under no circumstances are the meters to be moved.**
 - (ii) The private plumber is required to fit the front purple recycled water tap with removable tap handle and signage for each unit in a single level residential unit development, or for the common property in a multi-level residential unit development.
 - (iii) Taps must be located to service the front external area of the property by use of a garden hose and must not be obstructed by any permanent fixture such as a fence or wall.
- (b) An external recycled water tap must be installed to service the rear of the property:

- (i) Taps to be located to service the rear external area of the property by use of a garden hose and must not be obstructed by any permanent fixture such as a fence or wall.
 - (ii) For single level unit developments, rear taps are to be installed per unit, or for the common property in a multi-level unit development.
- (c) All external recycled water taps must have the following features:
- (i) The whole body of the tap and handle must be coloured purple
 - (ii) Tap to be the jumper valve type
 - (iii) Tap handle must be the removable type
 - (iv) Standard thread on tap outlet for garden hose bib
 - (v) Tap inlet to have 5/8" right hand thread
- (d) An external drinking water tap must installed to service the **front** of the property
- (i) Yarra Valley Water supplies a drinking water riser and tap with atmospheric vacuum breaker at the time of the tapping for single residential lots/houses. The tap can be relocated by the private plumber if required but not removed. **Under no circumstances are the meters to be moved.**
 - (ii) The private plumber is required to fit the front drinking water tap with atmospheric vacuum breaker for each unit in a single level residential unit development, or for the common property in a multi-level residential unit development.
 - (iii) Taps must be located to service the front external area of the property by use of a garden hose and must not be obstructed by any permanent fixture such as a fence or wall.
- (e) **All external drinking water supply taps must be fitted with atmospheric vacuum breakers.**
- (f) Where prior approval has been sought to install meters in pits, it is the responsibility of the private plumber to provide front taps for the drinking and Class A recycled water supplies.

3.4. External Taps – Non-Residential

- (a) External recycled water taps may be installed to service the front and/or rear areas of the property.

- (b) All external recycled water taps must comply with the features detailed in section 3.3(c).
- (c) All external recycled water taps at the property must be fitted with a hose bib tap lock or be installed in a secure location where the property is partially or wholly one of the following:
 - (i) an educational site including but not limited to schools and kindergartens;
 - (ii) a site to which the public have access;
 - (iii) a health care centre; or
 - (iv) a site that is likely to have children present.
- (d) At least one external drinking water tap must be provided to service the property.
- (e) **All external drinking water supply taps must be fitted with atmospheric vacuum breakers.**

3.5. Laundry Use

- (a) A recycled water washing machine tap must be installed in the laundry.
- (b) All recycled water washing machine tap kits must have the following features:
 - (i) For horizontal tap installations: recycled water washing machine tap to be installed on the right side of the cold water tap (hot, cold & then recycled water from left to right).
 - (ii) For vertical tap installations: recycled water washing machine tap to be installed beneath the cold water tap (hot, cold & then recycled water from top to bottom).
 - (iii) 5/8" Female threaded tap complete with purple handle and standard 3/4" outlet
 - (iv) 5/8" Male lugged elbow
 - (v) Cover Plate with laser etched regulatory prohibition hybrid sign complying with AS1319 stating "Recycled Water Do Not Drink"

3.6. Irrigation Systems

- (a) Irrigation systems connected to recycled water must be fitted with an approved master solenoid valve to ensure that main lines up to individual sprinkler station solenoid valves are not under constant pressure. The master solenoid should be located close to the meter assembly to reduce the length of pressurized irrigation piping.
- (b) An appropriate containment backflow prevention device is to be fitted and independently

tested.

- (c) You must ensure that recycled water runoff from the property to the stormwater is prevented.

3.7. Regulatory Prohibition Hybrid Signs

- (a) A recycled water regulatory prohibition hybrid sign with the words **"Recycled Water Do Not Drink"** and complying with AS1319 is to be installed within 150mm of each external recycled water tap outlet, above the tap.

4. Uses of Recycled Water

- 4.1. Below is a summary list. For a more detailed information or clarification on Class A acceptable use please contact Yarra Valley Water.
- 4.2. Properties which YVW require the site occupier to be on a Recycled Water Agreement are subject to the uses approved by YVW as stated in their Recycled Water Agreement.

USE OF CLASS A RECYCLED WATER	YES (✓) or NO (X)
Fire-fighting & fire protection systems (excluding sprinkler systems)	YES (✓)
Toilet / urinal flushing (excluding bidets)	YES (✓)
Laundry washing machines	YES (✓)
Vehicle washing	YES (✓)
Garden watering including vegetables	YES (✓)
Filling water features/ornamental ponds (not for swimming)	YES (✓)
Irrigation of public open space (e.g. parks, sports grounds)	YES (✓)
Irrigation of pasture & crops	YES (✓)
Livestock (excluding pigs)	YES (✓)
Cooling towers	YES (✓)
Industrial use: <ul style="list-style-type: none"> • Boiler feed water • Process water • Wash-down water • Dust suppression 	YES (✓)
Fire protection sprinkler systems	NO (X)
Drinking (humans or pigs)	NO (X)
Cooking or other kitchen purposes	NO (X)
Personal washing (baths, showers, basin, bidets)	NO (X)
Swimming pools or spas	NO (X)
Children's water toys	NO (X)
Evaporative coolers	NO (X)
Indoor household cleaning	NO (X)
Recreation involving water contact e.g. children playing under sprinklers	NO (X)

5. Plumbing Standards

5.1. All recycled water plumbing works are to be carried out in accordance with:

- (a) AS/NZS 3500
- (b) Water Metering & Servicing Guidelines (Water Authorities). A copy of these guidelines are available by visiting www.yvw.com.au
- (c) EPA Dual pipe water recycling schemes – health and environmental risk management (guidelines for environmental management)

6. Inspections For Recycled Water Plumbing Works

6.1. The plumber is required to register and book inspections via Yarra Valley Water's online booking system (www.yvw.com.au/rwinspection). Inspections are mandatory and required at the stages below:

(a) R1 – All below ground pipework prior to backfilling

- (i) For Houses and High Rise developments an R1 inspection must be done from the main meter to the building
- (ii) For Multi-Unit developments an R1 inspection must be done for the internal main between the main meter and the check meters. R1 inspections are then required for each unit from the check meter to each dwelling
- (iii) For larger, more complex developments multiple R1 inspections may be required to inspect all the below ground pipework in stages
- (iv) Irrigation Systems require inspection of all below ground pipework

(b) R2 – All internal pipework prior to plastering

- (i) For High-Rise developments separate R2 inspections must be booked for the common pipework on each floor servicing each dwelling

(c) R3– Commissioning prior to occupancy

- (i) The site must have passed the R1 and R2 inspections before the R3 can be done
- (ii) All tap-ware and plumbing fixtures must be fitted and operational
- (iii) Properties must not be occupied before passing the R3 inspection

- (iv) Irrigation systems must be commissioned prior to lodgement of the Compliance Certificate

For inspection related enquiries:

Email: rwplumbinginspection@yvw.com.au

Phone: 9872 2518

- 6.2. The deadline for booking R1 and R2 inspections is 3pm Monday to Friday
- 6.3. R3 inspections require two (2) business days' notice of the required inspection date
- 6.4. Inspections will take place Monday to Friday only. Inspections are not available on weekends or public holidays. Inspection times are 7.30am to 3pm.
- 6.5. R1 and R2 inspections can be booked consecutively for the same booking date only if they are both ready for inspection
- 6.6. R2 inspections can only be booked on metered properties or where a test bucket has been used to pressurise the pipework
- 6.7. For R3 inspections the plumber will be contacted by the next business day to confirm the inspection time
- 6.8. Safe access to the site must be provided for inspections to take place
- 6.9. Failure to book inspections will result in penalties. Refer Section 1.
- 6.10. A PIC Consent Number is required for every property/residence being booked for inspections. Contact Yarra Valley Water if you do not have a PIC number for every property/residence being inspected:
 - (a) For unit developments a Stage 1 (R1) inspection is also required from the main meter to the check meters, therefore a PIC Consent Number is also required for the main to check inspection.
- 6.11. Straight bridging pieces where a meter is missing are not acceptable due to the risk of backflow contamination:
 - (a) Properties using a straight piece will not pass these inspections.
- 6.12. Yarra Valley Water will only carry out the required inspections in so far as they relate to the Conditions of Connection issued for new developments connecting to recycled water. Inspections will be carried out in accordance with the EPA Guidelines and a Risk Based Approach. Yarra Valley Water will not be certifying or approving plumbing works in terms of quality and will not be liable for any poor workmanship carried out by the plumber.

7. Temporary Cross Connections

- 7.1. Where pressure testing of pipework installed for the provision of Class A Recycled Water requires a temporary interconnection with the drinking water supply plumbing, such interconnection is to be above ground and clearly visible.
- 7.2. This interconnection is to be removed by the private plumber at the time of the commissioning inspection.

8. Tappings

- 8.1. The drinking water property service pipe is to be PE pipe and must be water marked.
- 8.2. The Class A Recycled Water property service pipe is to be solid jacketed purple PE pipe and must be water marked:
 - (a) PE pipe must not form any part of the water meter assembly.
- 8.3. **In the case of short side installations** the recycled water service pipe is to be laid on the left of the drinking water property service pipe (when facing the property) and maintain 300mm separation.
- 8.4. **In the case of long side installations** the same conduit for the drinking water property service may be utilised for the recycled water, however the 300mm separation is to be maintained on both the upstream and downstream ends of the conduit.

9. Locking Device

- 9.1. All recycled water meters will be installed with a locking device at the time of the tapping.
- 9.2. The locking device can only be removed by Yarra Valley Water when the property is commissioned, passing the R3 inspection:
 - (a) If the locking device is removed prior to commissioning, this will be considered a breach of these Conditions and Section 288 of *the Act*. The locking device will be re-fitted and follow up will occur under *the Act*.

10. Meter Assemblies & Positioning

- 10.1. Recycled water meters are to be positioned to the left of the drinking water meter assembly.
- 10.2. Recycled water meters and the meter assembly including inlet and outlet pipework must be purple.

10.3. Meters in recycled water areas can only be moved by Yarra Valley Water.

- (a) An application must be made online via easyACCESS to move the meter/s.
- (b) Yarra Valley Water can move meters up to 600mm from their original tapping location:
 - (i) 20mm and 25mm meters **are moved for free**
 - (ii) 32mm and above incur costs
- (c) Meters which need to be moved >600mm need to be plugged and re-tapped and the relevant fees paid.
- (d) Any meters which have been illegally moved are in breach of these Conditions and Section 288 of *the Act*. Yarra Valley Water will take the necessary action required to rectify the meters and recover any costs in doing so from the applicant or property owner as required. Rectification may include disconnection of services, relocating meters back to their original position, or if this is not possible plugging and re-tapping to a new location.

10.4. Meters which are in a public space such as a reserve or school must be protected by an appropriate cage to prevent tampering.

10.5. Meters are not permitted to be installed in pits unless prior approval has been given by Yarra Valley Water.

10.6. Any 25mm installation must be fitted with a right-angle ball valve.

10.7. Minimum separation between meters as follows:

- (a) 20mm to 25mm meters – 250mm minimum clearance between meters
- (b) 32mm and above – 150mm minimum clearance between meters
- (c) For recycled and potable meters – minimum 300mm minimum clearance between the recycled and potable meters

11. Stolen Meters

11.1. Until the meter is replaced no connections between the supply and the dwelling are to be reinstated at the property. No straight pieces or alternative connections are allowed to be installed unless fitted by Yarra Valley Water's maintenance contractor.

11.2. Stolen meters must be reported by calling Yarra Valley Water on **1300 304 688**.

12. Owner's Responsibility

12.1. It is the owner/s (or for non-residential properties with a Recycled Water Agreement, the site occupier/s) responsibility to carry out the following:

- (a) Educate children and visitors to the property about the permitted uses of Class A recycled water
- (b) Remove the handle from the recycled water taps when not in use
- (c) Ensure that all recycled water regulatory prohibition hybrid signs are visible and legible at all times

12.2. For Irrigation Systems:

- (a) Until Class A Recycled Water is available (i.e. charged through the recycled water main), irrigation systems time of operation must comply with current Government water restriction requirements
- (b) Annual testing of the backflow prevention device is required to ensure the device is operating correctly
- (c) Signage must be produced at the owner's expense and displayed prominently within 150mm of all recycled water outlets. These signs should comply with AS1319 and should contain the wording: "Recycled Water Do Not Drink".

12.3. The conditions detailed in this document are binding on subsequent owners.

SEWER

Where a proposed development is to be constructed boundary to boundary and there is no compliant location for a sewer connection branch within the property, Yarra Valley Water approves the endpoint of the YVW sewer branch to be located outside the property and raised to surface with an appropriate approved cover. The sewer branch must meet the required clearances from proposed structures as per the Build Over Easement Guidelines. Approval may be required for private plumbing located in road reserves by Council or VicRoads. Any unused sewer branches at the site must be cut and sealed by a Yarra Valley Water accredited live sewer contractor.

Following the completion of new or altered property sewerage drain, a copy of the updated Property Sewerage Plan must be returned within 7 days to Yarra Valley Water easyACCESS@yvw.com.au.

AMENDMENTS

We may amend these conditions by writing to you. We may do so if we consider that any change, or proposed change, to relevant laws or our regulatory obligations require an amendment to be made.

We may also amend these conditions from time to time if we consider that it is necessary to:

- ensure that we are able to continue to comply with any law relating to health, safety or the environment, or our agreement with our bulk supplier of sewage transfer and treatment services; or
- the health or safety of anyone; or
- any part of the environment; or
- any of our works.

INDEMNITY

You must indemnify Yarra Valley Water against:

- all damages, losses, penalties, costs and expenses whatsoever, which we suffer or incur; and
- all proceedings, prosecutions or demands brought or made against us by anyone, as a result of you failing to perform any of our obligations under these conditions, except to the extent that the failure has been caused by our negligence.

You must not bring any proceeding or make any demand against us for any damage, loss, cost or expense of any kind whatsoever which you incur, directly or indirectly, as a result of Yarra Valley Water amending these conditions.

You must pay us any costs we reasonably incur in:

- making good any damage to our assets or works directly or indirectly caused by your failure to comply with these conditions; and
- inspecting our assets or works to see if such damage has been caused.

Marcus & Marcus C/- InfoTrack (LEAP) C/- LANDATA
LANDATA
certificates@landata.vic.gov.au

RATES CERTIFICATE

Account No: 5301744301
Rate Certificate No: 31008559

Date of Issue: 04/02/2026
Your Ref: 375814

With reference to your request for details regarding:

Property Address	Lot & Plan	Property Number	Property Type
1 BARHAM WAY, WOLLERT VIC 3750	434/PS738256	5156347	Residential

Agreement Type	Period	Charges	Outstanding
Residential Water Service Charge	01-01-2026 to 31-03-2026	\$20.80	\$20.80
Residential Water and Sewer Usage Charge <i>Step 1 – 29.000000kL x \$3.57240000 = \$103.60</i> Estimated Average Daily Usage \$1.08	06-08-2025 to 10-11-2025	\$103.60	\$0.00
Residential Sewer Service Charge	01-01-2026 to 31-03-2026	\$119.92	\$119.92
Residential Recycled Water Usage Charge <i>Recycled Water Usage – 10.000000kL x \$1.96810000 = \$19.68</i>	06-08-2025 to 10-11-2025	\$19.68	\$0.00
Parks Fee	01-01-2026 to 31-03-2026	\$22.14	\$22.14
Drainage Fee	01-01-2026 to 31-03-2026	\$30.82	\$30.82
Other Charges:			
Interest	No interest applicable at this time		
	No further charges applicable to this property		
	Balance Brought Forward		\$0.00
	Total for This Property		\$193.68



GENERAL MANAGER
RETAIL SERVICES

Note:

- From 1 July 2023, the Parks Fee has been charged quarterly instead of annually.
- From 1 July 2023, for properties that have water and sewer services, the Residential Water and Sewer Usage charge replaces the Residential Water Usage and Residential Sewer Usage charges.
- This statement details all tariffs, charges, and penalties due and payable to Yarra Valley Water as of the date of

this statement and includes tariffs and charges (other than for usage charges yet to be billed) which are due and payable to the end of the current financial quarter.

4. All outstanding debts are due to be paid to Yarra Valley Water at settlement. Any debts that are unpaid at settlement will carry over onto the purchaser's first quarterly account and follow normal credit and collection activities - pursuant to section 275 of the Water Act 1989.

5. If the total due displays a (-\$ cr), this means the account is in credit. Credit amounts will be transferred to the purchaser's account at settlement.

6. Yarra Valley Water provides information in this Rates Certificate relating to waterways and drainage as an agent for Melbourne Water and relating to parks as an agent for Parks Victoria - pursuant to section 158 of the Water Act 1989.

7. The charges on this rates certificate are calculated and valid at the date of issue. To obtain up-to-date financial information, please order a Rates Settlement Statement prior to settlement.

8. From 01/07/2025, Residential Water Usage is billed using the following step pricing system: 266.61 cents per kilolitre for the first 44 kilolitres; 340.78 cents per kilolitre for 44-88 kilolitres and 504.86 cents per kilolitre for anything more than 88 kilolitres. From 1 July 2023, this charge is applicable for properties with water service only.

9. From 01/07/2025, Residential Water and Sewer Usage is billed using the following step pricing system: 357.24 cents per kilolitre for the first 44 kilolitres; 468.71 cents per kilolitre for 44-88 kilolitres and 544.56 cents per kilolitre for anything more than 88 kilolitres. From 1 July 2023, this charge is applicable for residential properties with both water and sewer services.

10. From 01/07/2025, Residential Recycled Water Usage is billed 196.81 cents per kilolitre.

11. From 01/07/2022 up to 30/06/2023, Residential Sewer Usage was calculated using the following equation: Water Usage (kl) x Seasonal Factor x Discharge Factor x Price (/kl) 1.1540 per kilolitre. From 1 July 2023, this charge will no longer be applicable for residential customers with both water and sewer services.

12. The property is a serviced property with respect to all the services, for which charges are listed in the Statement of Fees above.

Recycled water is available at this property

This property is in a mandated recycled water area and we supply both potable and recycled water to this property. For more information, visit yvw.com.au/recycled.

To ensure you accurately adjust the settlement amount, we strongly recommend you book a **Special Meter Reading**:

- Special Meter Readings ensure that actual water use is adjusted for at settlement.
- Without a Special Meter Reading, there is a risk your client's settlement adjustment may not be correct.

Property No: 5156347

Address: 1 BARHAM WAY, WOLLERT VIC 3750

Water Information Statement Number: 31008559

HOW TO PAY



Bill Code: 314567
Ref: 53017443018

**Amount
Paid**

**Date
Paid**

**Receipt
Number**

ROADS PROPERTY CERTIFICATE

The search results are as follows:

Marcus & Marcus C/- InfoTrack (LEAP)
135 King St
SYDNEY 2000
AUSTRALIA

Client Reference: 375814

NO PROPOSALS. As at the 4th February 2026, VicRoads has no approved proposals requiring any part of the property described in your application. You are advised to check your local Council planning scheme regarding land use zoning of the property and surrounding area.

This certificate was prepared solely on the basis of the Applicant-supplied address described below, and electronically delivered by LANDATA®.

1 BARHAM WAY, WOLLERT 3750
CITY OF WHITTLESEA

This certificate is issued in respect of a property identified above. VicRoads expressly disclaim liability for any loss or damage incurred by any person as a result of the Applicant incorrectly identifying the property concerned.

Date of issue: 4th February 2026