

Contract of Sale of Real Estate

Property address **UNIT 3, 37-39 GEORGE STREET, RESERVOIR VIC 3073**

The vendor agrees to sell and the purchaser agrees to buy the property, being the land and the goods, for the price and on the terms set out in this contract.

The terms of this contract are contained in the -

- particulars of sale; and
 - special conditions, if any; and
 - general conditions
- in that order of priority.

SIGNING OF THIS CONTRACT

WARNING: THIS IS A LEGALLY BINDING AGREEMENT. YOU SHOULD READ THIS CONTRACT BEFORE SIGNING IT.

Purchasers should ensure that, prior to signing this contract, they have received –

- a copy of the section 32 statement required to be given by a vendor under section 32 of the *Sale of Land Act 1962* in accordance with Division 2 of Part II of that Act; and
- a copy of the full terms of this contract.

The authority of a person signing -

- under power of attorney; or
- as director of a corporation; or
- as agent authorised in writing by one of the parties - must be noted beneath the signature.

Any person whose signature is secured by an estate agent acknowledges being given by the agent at the time of signing a copy of the terms of this contract.

SIGNED BY THE PURCHASER:

..... on/...../2026

Print name(s) of person(s) signing:

State nature of authority, if applicable:

This offer will lapse unless accepted within [] clear business days (3 clear business days if none specified)

SIGNED BY THE VENDOR:

..... on/...../2026

Print name(s) of person(s) signing: **ROBERTA COLOSIMO**

State nature of authority, if applicable:

The **DAY OF SALE** is the date by which both parties have signed this contract.

IMPORTANT NOTICE TO PURCHASERS

Cooling-off period (Section 31 of the *Sale of Land Act 1962*)

You may end this contract within 3 clear business days of the day that you sign the contract if none of the exceptions listed below applies to you.

You must either give the vendor or the vendor's agent **written** notice that you are ending the contract or leave the notice at the address of the vendor or the vendor's agent to end this contract within this time in accordance with this cooling-off provision.

You are entitled to a refund of all the money you paid EXCEPT for \$100 or 0.2% of the purchase price (whichever is more) if you end the contract in this way.

EXCEPTIONS: The 3-day cooling-off period does not apply if:

- * you bought the property at a publicly advertised auction or on the day on which the auction was held; or
- * you bought the land within 3 clear business days before a publicly advertised auction was to be held; or
- * you bought the land within 3 clear business days after a publicly advertised auction was held; or
- * the property is used primarily for industrial or commercial purposes; or
- * the property is more than 20 hectares in size and is used primarily for farming; or
- * you and the vendor have previously signed a contract for the sale of the same land in substantially the same terms; or
- * you are an estate agent or a corporate body.

*This contract is approved by the Law Institute of Victoria Limited, a professional association within the meaning of the *Legal Profession Act 2004*, under section 53A of the *Estate Agents Act 1980*.

NOTICE TO PURCHASERS OF PROPERTY OFF-THE-PLAN

Off-the-plan sales (Section 9AA(1A) of the *Sale of Land Act 1962*)

You may negotiate with the vendor about the amount of the deposit moneys payable under the contract of sale, up to 10 per cent of the purchase price.

A substantial period of time may elapse between the day on which you sign

the contract of sale and the day on which you become the registered proprietor of the lot.

The value of the lot may change between the day on which you sign the contract of sale of that lot and the day on which you become the registered proprietor.

Particulars of sale

Vendor's estate agent

HARCOURTS RATA & CO
1/337 Settlement Road, Thomastown, VIC 3074

Email: sold@rataandco.com.au

Tel: (03) 9465 7766 Mob: Fax: Ref:

Vendor

ROBERTA COLOSIMO

Vendor's legal practitioner or conveyancer

Melbourne Real Estate Conveyancing Pty Ltd

954 High Street Reservoir Vic 3073

Email: viola@melbournerec.com.au

Tel: 03 94646732 Mob: Fax: Ref: VS:26/4343VS

Purchaser

Name:

.....

Address:

ABN/ACN:

Email:

Purchaser's legal practitioner or conveyancer

Name:

Address:

Email:

Tel:..... Mob: Fax: Ref:

Land (general conditions 7 and 13)

The land is described in the table below –

Certificate of Title reference	being lot	on plan
Volume 09368 Folio 521	3	014693
Volume 09368 Folio 525	7	014693

OR

described in the copy of the Register Search Statement and the document or part document referred to as the diagram location in the Register Search Statement, as attached to the section 32 statement if no title or plan references are recorded in the table above or as described in the section 32 statement if the land is general law land.

The land includes all improvements and fixtures.

Property address

The address of the land is: **UNIT 3, 37-39 GEORGE STREET, RESERVOIR VIC 3073**

Goods sold with the land (general condition 6.3 (f)) (list or attach schedule)

All Fixed floor coverings, light fittings, window furnishings and all fixtures and fittings of a permanent nature.

Payment (general condition 14 and 17)

Price	\$			
Deposit	\$	_____	by	(of which \$ _____ has been paid)
Balance	\$	_____		payable at settlement

GST (general condition 19)

The price includes GST (if any) unless the words '**plus GST**' appear in this box

If this sale is a sale of land on which a 'farming business' is carried on which the parties consider meets requirements of section 38-480 of the GST Act or of a 'going concern' then add the words '**farming business**' or '**going concern**' in this box

If the margin scheme will be used to calculate GST then add the words '**margin scheme**' in this box

Settlement (general condition 17)

is due on

unless the land is a lot on an unregistered plan of subdivision, in which case settlement is due on the later of:

- the above date; and
- 14 days after the vendor gives notice in writing to the purchaser of registration of the plan of subdivision.

Lease (general condition 5.1)

At settlement the purchaser is entitled to vacant possession of the property unless the words '**subject to lease**' appear in this box in which case refer to general condition 5.1

If '**subject to lease**' then particulars of the lease are :

Terms contract (general condition 30)

If this contract is intended to be a terms contract within the meaning of the *Sale of Land Act* 1962 then add the words '**terms contract**' in this box and refer to general condition 23 and add any further provisions by way of special conditions.

Loan (general condition 20)

The following details apply if this contract is subject to a loan being approved.

Lender:

Loan amount

Approval date:

FIRB APPROVAL REQUIRED (Special Condition 16)

YES Passport Provided? Yes or No?

Passport Number

NO

This contract does not include any special conditions unless the words '**special conditions**' appear in this box

Special conditions

GST WITHHOLDING NOTICE

Purchaser must make a GST Withholding Payment: No Yes

(if yes, vendor must provide further details)

If the further details below are not fully completed at the contract date, the vendor must provide all these details in a separate notice within 14 days of the contract date.

GST Withholding Payment Details

Frequently the supplier will be the vendor. However, sometimes further information will be required as to which entity is liable for GST, for example, if the vendor is part of a GST group or a participant in a GST joint venture.

Supplier's Name:

Supplier's ABN:

Supplier's Business Address:

Supplier's Email Address:

Supplier's Phone Number:

Supplier's proportion of the GST Withholding Payment:

If more than one supplier, provide the above details for each supplier.

Amount purchaser must pay – price multiplied by the GST withholding rate:

Amount must be paid: at completion at another time (specify):

Is any of the consideration not expressed as an amount in money? No Yes

If "yes", the GST inclusive market value of the non-monetary consideration:

Other details (including those required by regulation or the ATO forms):

Special Conditions

1. Auction

- 1.1 If the property is sold by public auction then the property is offered for sale by public auction, subject to the vendors reserve price. The rules for the conduct of the auction shall be as set out in the schedule of the Sale of Land Regulations or any rules prescribed by regulations which modify or replace those rules.
- 1.2 The successful bidder shall immediately on the fall of the hammer sign this contract and pay the full 10% deposit to the Vendors agent.

2. Acceptance of title

General condition 12.4 is added:

Where the Purchaser is deemed by section 27(7) of the *Sale of Land Act 1962* to have given the deposit release authorisation referred to in section 27(1), the purchaser is also deemed to have accepted title in the absence of any prior express objection to title.

3. Foreign resident capital gains withholding

- 3.1 Words defined or used in Subdivision 14-D of Schedule 1 to the *Taxation Administration Act 1953 (Cth)* have the same meaning this special condition unless the context requires otherwise.
 - 3.2 Every vendor under this contract is a foreign resident for the purposes of this special condition unless the Vendor gives the Purchaser a special clearance certificate issued by the Commissioner under section 14-200 (1) of Schedule 1 to the *Taxation Administration Act 1953 (Cth)*. The specified period in the clearance certificate must include the actual date of settlement.
 - 3.3 This special condition only applies if the Purchaser is required to pay the Commissioner an amount in accordance with section 14-200(3) or section 14-235 of Schedule 1 to the *Taxation Administration Act 1953 (Cth)* ("the amount") because one or more of the vendors is a foreign resident, the property is or will have a market value of \$750,000 or more just after the transaction, and the transaction is not excluded under section 14-215(1) of Schedule 1 to the *Taxation Administration Act 1953 (Cth)*.
 - 3.4 The amount is to be deducted from the Vendor's entitlement to the contract consideration. The Vendor must pay to the Purchaser at settlement such part of the amount as is represented by non-monetary consideration.
 - 3.5 The Purchaser must:
 - (a) engage a Legal Practitioner or Conveyancer ("representative") to conduct all legal aspects of settlement, including the performance of the Purchaser's obligations in this special condition; and
 - (b) ensure that the representative does so.
 - 3.6 The terms of the representative's engagement are taken to include instructions to have regard to the Vendor's interests and instructions that the representative must:
 - (a) pay, or ensure payment of, the amount to the Commissioner in the manner required by the Commissioner as soon as reasonably and practicably possible, from moneys under the control or direction of the representative in accordance with this special condition if the sale of the property settles;
 - (b) promptly provide the vendor with proof of payment; and
 - (c) otherwise comply, or ensure compliance with, this special condition;
- despite
- (d) any contrary instructions, other than from both the Purchaser and the Vendor; and
 - (e) any other provision in this contract to the contrary.
- 3.7 The representative is taken to have complied with the obligations in special condition 1B.6 if;
 - (a) the settlement is conducted through the electronic conveyancing system operated by Property Exchange Australia Ltd or any other electronic conveyancing system agreed by the parties; and
 - (b) the amount is included in the settlement statement requiring payment to the Commissioner in respect of this transaction.
- 3.8 Any clearance certificate or document evidencing variation of the amount in accordance with section 14-253(2) of Schedule 1 to the *Taxation Administration Act 1953 (Cth)* must be given to the Purchaser at least 5 business days before the due date for settlement.
- 3.9 The Vendor must provide the Purchaser with such information as the Purchaser requires to comply with the Purchaser's obligation to pay the amount in accordance with section 14-200 of Schedule 1 to the *Taxation Administration Act 1953 (Cth)*. The information must be provided within 5 business days of request by the Purchaser. The Vendor warrants that the information the Vendor provides is true and correct.
- 3.10 The Purchaser is responsible for any penalties or interest payable to the Commissioner on account of late payment of the amount.

4. Electronic Conveyancing

Settlement and lodgement will be conducted electronically in accordance with the Electronic Conveyancing National Law and special condition 2 applies, if the box is marked "EC"

- 4.1 This special condition has priority over any other provision to the extent of any inconsistency. This special condition applies if the contract of sale specifies, or the parties subsequently agree in writing, that settlement and lodgement of the instruments necessary to record the Purchaser as registered proprietor of the land will be conducted electronically in accordance with the Electronic Conveyancing National Law.
- 4.2 A party must immediately give written notice if that party reasonably believes that settlement and lodgement can no longer be conducted electronically.
- 4.3 Each party must:
- (a) be, or engage a representative who is, a subscriber for the purposes of the Electronic Conveyancing National Law;
 - (b) ensure that all other persons for whom that party is responsible and who are associated with this transaction are, or engage, a subscriber for the purposes of the Electronic Conveyancing National Law; and
 - (c) conduct the transaction in accordance with the Electronic Conveyancing National Law.
- 4.4 The Vendor must open the Electronic Workspace ("workspace") as soon as reasonably practicable. The workspace is an electronic address for the service of notices and for written communications for the purposes of any electronic transactions legislation.
- 4.5 The Vendor must nominate a time of the day for locking of the workspace at least 7 days before the due date for settlement.
- 4.6 Settlement occurs when the workspace records that:
- (a) the exchange of funds or value between financial institutions in accordance with the instructions of the parties has occurred; or
 - (b) if there is no exchange of funds or value, the documents necessary to enable the Purchaser to become registered proprietor of the land have been accepted for electronic lodgement.
- 4.7 The parties must do everything reasonably necessary to effect settlement:
- (a) electronically on the next business day; or
 - (b) at the option of either party, otherwise than electronically as soon as possible – if, after the locking of the workspace at the nominated settlement time, settlement in accordance with special condition 2.6 has not occurred by 4.00 pm, or by 6.00 pm if the nominated time for settlement is after 4.00 pm.
- 4.8 Each party must do everything reasonably necessary to assist the other party to trace and identify the recipient of any missing or mistaken payment and to recover the missing or mistaken payment.
- 4.9 The Vendor must before settlement:
- (a) deliver any keys, security devices and codes ("keys") to the estate agent named in the contract,
 - (b) direct the estate agent to give the keys to the Purchaser or the Purchaser's nominee on notification of settlement by the Vendor, the Vendor's subscriber or the Electronic Network Operator,
 - (c) deliver all other physical documents and items (other than the goods sold by the contract) to which the Purchaser is entitled at settlement, and any keys if not delivered to the Estate Agent, to the Vendor's subscriber or, if there is no Vendor's subscriber, confirm in writing to the Purchaser that the vendor holds those documents, items and keys at the Vendor's address set out in the contract, and
 - (d) direct the Vendor's subscriber to give (or, if there is no Vendor's subscriber, give) all those documents and items, and any such keys, to the Purchaser or the Purchaser's nominee on notification of settlement by the Electronic Network Operator.
- 4.10 The Vendor must, at least 3 days before the due date for settlement, provide the original of any document required to be prepared by the Vendor in accordance with general condition 6.

5. GST withholding

- 5.1 Words and expressions defined or used in Subdivision 14-E of Schedule 1 to the *Taxation Administration Act 1953* (Cth) or in a *New Tax System (Goods and Services Tax) Act 1999* (Cth) have the same meaning in this general condition unless the context requires otherwise. Words and expressions first used in this general condition and shown in italics and marked with an asterisk are defined or described in at least one of those Acts.
- 5.2 This general condition 15B applies if the purchaser is required to pay the Commissioner an *amount in accordance with section 14-250 of Schedule 1 to the *Taxation Administration Act 1953* (Cth) because the property is *new residential premises or *potential residential land in either case falling within the parameters of that section, and also if the sale attracts the operation of section 14-255 of the legislation. Nothing in this general condition 15B is to be taken as relieving the vendor from compliance with section 14-255.
- 5.3 The amount is to be deducted from the vendor's entitlement to the contract *consideration and is then taken to be paid to the vendor, whether or not the vendor provides the purchaser with a GST withholding notice in accordance with section 14-255 of

Schedule 1 to the *Taxation Administration Act 1953* (Cth). The vendor must pay to the purchaser at settlement such part of the amount as is represented by non-monetary consideration.

5.4 The purchaser must:

- (a) engage a legal practitioner or conveyancer ("representative") to conduct all the legal aspects of settlement, including the performance of the purchaser's obligations under the legislation and this general condition; and
- (b) ensure that the representative does so.

5.5 The terms of the representative's engagement are taken to include instructions to have regard to the vendor's interests relating to the payment of the amount to the commissioner and instructions that the representative must:

- (a) pay, or ensure payment of, the amount to the Commissioner in the manner required by the Commissioner and as soon as reasonably and practicably possible, from moneys under the control or direction of the representative in accordance with this general condition on settlement of the sale of the property;
- (b) promptly provide the vendor with evidence of payment, including any notification or other document provided by the purchaser to the Commissioner relating to payment; and
- (c) otherwise comply, or ensure compliance, with this general condition;

despite:

- (d) any contrary instructions, other than from both the purchaser and the vendor; and
- (e) any other provision in this contract to the contrary.

5.6 The representative is taken to have complied with the requirements of general condition 15B.5 if:

- (a) settlement is conducted through the electronic conveyancing system operated by Property Exchange Australia Ltd or any other electronic conveyancing system agreed by the parties; and
- (b) the amount is included in the settlement statement requiring payment to the Commissioner in respect of this transaction.

5.7 The purchaser may at settlement give the vendor a bank cheque for the amount in accordance with section 16-30 (3) of Schedule 1 to the *Taxation Administration Act 1953* (Cth), but only if:

- (a) so agreed by the vendor in writing; and
- (b) the settlement is not conducted through an electronic settlement system described in general condition 15B.6.

However, if the purchaser gives the bank cheque in accordance with this general condition 15B.7, the vendor must:

- (c) immediately after settlement provide the bank cheque to the Commissioner to pay the amount in relation to the supply; and
- (d) give the purchaser a receipt for the bank cheque which identifies the transaction and includes particulars of the bank cheque, at the same time the purchaser gives the vendor the bank cheque.

5.8 The vendor must provide the purchaser with a GST withholding notice in accordance with section 14-255 of Schedule 1 to the *Taxation Administration Act 1953* (Cth) at least 14 days before the due date for settlement.

5.9 A party must provide the other party with such information as the other party requires to:

- (a) decide if an amount is required to be paid or the quantum of it, or
- (b) comply with the purchaser's obligation to pay the amount,

in accordance with section 14-250 of Schedule 1 of the *Taxation Administration Act 1953* (Cth). The information must be provided within 5 business days of a written request. The party providing the information warrants that it is true and correct.

5.10 The vendor warrants that:

- (a) at settlement, the property is not new residential premises or potential residential land in either case falling within the parameters of section 14-250 of Schedule 1 to the *Taxation Administration Act 1953* (Cth) if the vendor gives the purchaser a written notice under section 14-255 to the effect that the purchaser will not be required to make a payment under section 14-250 in respect of the supply, or fails to give a written notice as required by and within the time specified in section 14-255; and
- (b) the amount described in a written notice given by the vendor to the purchaser under section 14-255 of Schedule 1 to the *Taxation Administration Act 1953* (Cth) is the correct amount required to be paid under section 14-250 of the legislation.

5.11 The purchaser is responsible for any penalties or interest payable to the commissioner on account of non-payment or late

payment of the amount, except to the extent that:

- (a) the penalties or interest arise from the vendor's failure, including breach of a warranty in general condition 15B.10; or
- (b) the purchaser's reasonable belief that the property is neither new residential premises nor potential residential land requiring the purchaser to pay an amount to the Commissioner in accordance with section 14-250 (1) of Schedule 1 to the *Taxation Administration Act 1953* (Cth)

The vendor is responsible for any penalties or interest payable to the commissioner on account of non-payment or late payment of the amount if either exception applies.

5.12 This general condition will not merge on settlement.

6. Interpretation.

In the interpretation of this contract where the context permits;

- (a) Words importing either gender shall be deemed to include the other gender.
- (b) Words importing the singular number shall be deemed to include the plural and vice versa;
- (c) Where there are two or more Purchasers the agreements and obligations of the Purchaser hereunder shall bind them jointly and each of them severally.

7. Whole Contract.

The Purchaser acknowledges and agrees that:

- 7.1 The Purchaser was given a Vendors Statement before signing this Contract;
- 7.2 No information, representations or warranty of the Vendor, the Vendors Conveyancer or the Vendor's Agent was supplied or made with the intention or knowledge that it would be relied upon by the Purchaser;
- 7.3 The Purchaser has relied on its judgement in purchasing the Property and has inspected the property including all improvements, fixtures and Chattels as set out in the Contract.
- 7.4 No warranty has been given as the condition or quality of the improvements, fixtures, fittings or Chattels.
- 7.5 No brochure, investment report or advertising material is to be relied on as an accurate description of the property.
- 7.5 This contract forms the entire agreement between the Vendor and the Purchaser.

8. Land Identity.

The Purchaser admits that the land offered for sale and inspected by them is identical to that described in the attached title. The Purchaser shall not make any requisition in respect of or claim any compensation for any alleged miss description of the land or deficiency in its area or measurements or any patent or latent defects in the land or call upon the Vendor to amend Title or to bear all or any part of the cost of doing so.

9. Condition Of The Property.

- 9.1 The Purchaser warrants to the vendor that as a result of the Purchaser's inspections and enquiries concerning the property, the Purchaser is satisfied with the condition, quality and state of repair of the property and accepts the property as it is and subject to any defects, need for repair or infestation.
- 9.2 The Purchaser will not make any claim or requisition or delay this transaction or rescind or terminate this contract because of anything concerning the matters referred to in these special conditions or in respect of any loss, damage, need for repair relating to the property or the requirements of a statutory authority made on or after the day of sale.
- 9.3 The Purchaser acknowledges that the improvements may be subject to or require compliance with current building regulations, municipal by-laws or any other statutory provisions or regulations or any repealed laws under which the improvements were constructed. A failure to comply with any such regulations or laws will not constitute a defect in the Vendor's title and the Purchaser must not delay settlement or refuse to settle, or make any requisition or claim any compensation from the Vendor on that ground.
- 9.4 The Purchaser acknowledges that if there is a swimming pool or spa on the property which is or may be required to be fenced by the building regulations, the Purchaser must comply, at the Purchaser's cost and expense, with the building regulations. The Purchaser indemnifies and keeps indemnified the Vendor on and from the day of sale in respect of all orders or requirements under the building regulations.
- 9.5 (a) For any deficiency or defect in the said improvements, whether as to their suitability for occupation, compliance with laws or otherwise or;
- 9.5 (b) In relations to the issue or non-issuance of building permits of the said improvements; or
- 9.5 (c) In relations to the completion of inspections by the relevant authorities in respect of the said improvements

- 9.6 The Purchaser acknowledges that the Vendor makes no Representation for any permits or approvals of any improvements to the property, if any. Upon signing of the Contract of Sale the Purchaser assumes full responsibility and liability in relation to special condition 9.6 and the purchaser shall make no request, claims, seek compensation or delay settlement or rescind or terminate the Contract of Sale whatsoever because of special condition 9.6. The Purchaser indemnifies and keeps the Vendor indemnified on and from the day of sale in respect to special condition 9.6.
- 9.7 The Purchaser acknowledges that the Vendor makes no Representation for any permits or approvals of any improvements to the Patio. Upon signing of the Contract of Sale the Purchaser assumes full responsibility and liability in relation to special condition 9.7 and the purchaser shall make no request, claims, seek compensation or delay settlement or rescind or terminate the Contract of Sale whatsoever because of special condition 9.7. The Purchaser indemnifies and keeps the Vendor indemnified on and from the day of sale in respect to special condition 9.7.
- 9.8 The Purchaser acknowledges that the Vendor makes no Representation for any permits or approvals of any improvements to the Shed. Upon signing of the Contract of Sale the Purchaser assumes full responsibility and liability in relation to special condition 9.8 and the purchaser shall make no request, claims, seek compensation or delay settlement or rescind or terminate the Contract of Sale whatsoever because of special condition 9.8. The Purchaser indemnifies and keeps the Vendor indemnified on and from the day of sale in respect to special condition 9.8.
- 9.9 General Condition 12 is Deleted from this Contract.

10. Improvements.

The Purchaser acknowledges that any improvements on the property may be subject to or require compliance with the Victorian Building Regulations, municipal by-laws, relevant statutes or any other regulations. Any failure to comply with any one or more of those laws or regulations shall not be deemed to constitute a defect in the Vendor's title and the Purchaser shall not make any requisition or claim any compensation from the Vendor. The Purchaser must not delay settlement or refuse to settle nor require the Vendor to comply with any one or more of those laws or regulations, or provide any documents including any requirements to fence any pool or spa, or install smoke detectors.

11. Planning.

The Purchaser buys the property subject to any restrictions imposed by the provisions of any applicable town planning act, orders, plans, schemes, local government by-laws or other enactment or any authority empowered to make restrictions. Any such restrictions shall not constitute a defect in the Vendor's title and the Purchaser shall not make any requisition, or objection, nor be entitled to any compensation from the Vendor in respect thereof. The Purchaser must not delay settlement or refuse to settle. Save for any warranties or representations, which cannot be legally excluded with respect to the use of the said land or any part thereof.

12. Restrictions.

The property is sold subject to all easements, covenants, leases/licences, encumbrances, appurtenant easements and encumbrances and restrictions (if any) as set out herein or attached hereto. The Purchaser should make their own enquiries whether any structure or buildings are constructed over any easements prior to signing the Contract, otherwise the Purchaser accepts the location of all buildings and shall not make any claim in relation thereto and must not delay settlement or refuse to settle.

13. Settlement.

- (a) Should settlement take place via paper and not Electronic Conveyancing, settlement shall take place no later than 3.00pm (Eastern Standard Time) on the settlement date, failing which settlement shall be deemed to take place on the next business day. Should settlement take place via Electronic Conveyancing, settlement shall take place no later than 4.00pm (Eastern Standard Time) on the settlement date, failing which settlement shall be deemed to take place on the next business day.
- (b) Should settlement take place via paper and not Electronic Conveyancing, settlement shall take place at the office of the Vendor's representative or at such other place in Victoria as the Vendor directs.
- (c) Should settlement take place via paper and not Electronic Conveyancing, and should settlement be directed by the choice of the Purchaser with the approval of the Vendor, the Purchaser will pay a settlement fee to the Vendor's representative of \$450.00 Plus GST. This fee will be due and payable at settlement.
- (d) Should settlement take place via paper and not Electronic Conveyancing, and settlement has been attended to and falls through at the fault of the Purchaser, the Purchaser will pay a re-attendance fee to the Vendor's representative of \$450.00 Plus GST, along with any other costs incurred due to the breach of the Purchaser. This fee is due and payable on the next scheduled settlement time/date.
- (e) Should settlement take place via paper and not Electronic Conveyancing, at settlement, the Purchaser must pay the fees up to six cheques drawn on an authorised deposit-taking institution.
- (f) Without limiting any other rights of the Vendor, If the Purchaser fails to settle on the due date for settlement as set out in the particulars of sale to this contract (due date) or request an extension to the due date, the Purchaser must pay to the Vendor's representative an amount of \$220.00 plus GST representing the Vendor's additional legal cost and disbursements, along with

any other costs incurred due to the breach of the Purchaser.

14. Licence Agreement.

The purchaser acknowledges should they request a licence agreement, and should the Vendor agree, the licence must be prepared by the vendors representative at the cost of the purchaser. The fee to prepare the licence is \$450.00 plus GST and shall be adjusted for and payable at settlement.

15. Guarantee & Indemnity.

15.1 Immediately after being requested to do so by the Vendor, procure the execution by all directors of the Purchaser (of if the Vendor requires by the shareholders) of a guarantee and indemnity to be prepared by the Vendor's representative and to be substantially the same form as the guarantee annexed to this contract but with the necessary changes being made.

16. Foreign Acquisitions and Takeovers Act 1975.

16.1 If ticked 'No' after the words 'FIRB approval Required?' in the particulars of sale page or this section of the particulars of sale is not complete, the Purchaser:

16.1.1 warrants to the vendor, as an essential term of this contract, that the acquisition of the property by the purchaser does not fall within the scope of the Takeover Act and is not examinable by FIRB: and

16.2 If the box is ticked YES after the words 'FIRB Approval required?' in the particulars of sale, then the Purchaser:

16.2.1 must, as an essential term of this contract, promptly after the day of sale take all reasonable endeavours to obtain FIRB approval pursuant to the Takeover Act of this purchase and will keep the vendor informed of the progress of the FIRB Approval application and provide evidence of the FIRB approval to the vendor

16.2.2 The Purchaser must give written notice to the Vendor's solicitor that approval has not been obtained by 4pm on the date which is 30 days after the day of sale, whereupon the Contract will be terminated, and all monies paid by the Purchaser shall be refunded in full. If the Purchaser has not advised the Vendor in writing that the Purchaser has obtained approval by 4pm on the date which is 30 days after the day of sale, then the Purchaser warrants that they have approval.

16.2.3 The Purchaser agrees that if the warranty in special conditions 12.1 is breached, the Purchaser will indemnify the Vendor against any penalties, fines, legal cost, claims, losses or damages which the Vendor suffers as a direct or indirect result of a breach of that warranty

17. Loans / Finance

The purchaser warrants that he has not received any promise from the Vendor's Agent (or any person acting on behalf of the Vendor's agent) in relation to obtaining a loan for the purchase of the property.

18. Indemnity – Estate Agent

The purchaser warrants that he has not been introduced to the vendor or to the property directly or indirectly by any real estate agent other than the agent herein described or other person who might be entitled to claim commission from the vendor in respect of this sale and the purchaser shall indemnify and keep indemnified the vendor, at all times notwithstanding settlement hereof from and against any claim or liability for commission or loss or damages resulting from a breach of this warranty.

19. Adjustments of Outgoings

19.1 The Purchaser must provide current valid copies of all certificates and other information used to calculate the adjustments, including land tax. The purchaser is to provide the statement of adjustments to the vendors representative at least 5 business days prior to settlement. A delay in the statement of adjustments will incur a fee of \$242.00 payable at settlement.

19.2 If the property is not separately assessed in respect of the outgoings, then the portion of any such outgoings are to be adjusted between the Vendor and the Purchaser will be either on the basis the amount to be apportioned between them is the proportion of the outgoing equal to the proportion which:

(a) The lot liability of the property bears to the total liability of all of the lots on the plan; or

(b) The surface area of the property bears to the surface area of the land that is subject to the assessment; or

19.2.2 On such other basis,

as the Vendor may reasonably direct the Purchaser on or before the settlement date.

19.3 The Purchaser must pay any special fee or charge levied on the Vendor on and from the day of sale by the Owner's Corporation under the Owner's Corporation act or Owners Corporation Regulations. The special fee or charge will not be subject to appointment between the Vendor and the Purchaser.

20. Stamp Duty – Purchasers Buying in unequal Interest

- 20.1 If there is more than one Purchaser, it is the Purchaser's responsibility to ensure the contract correctly records at the date of sale the proportion in which they are buying the property (the proportions).
- 20.2 If the proportions recorded in the transfer differ from those recorded in the contract, it is the Purchaser's responsibility to pay additional duty, which may be assessed as a result to the variation.
- 20.3 The Purchaser fully indemnifies the Vendor, Vendor's Agent and the Vendor's Conveyancer against any claims or demands which may be made against any or all of them in relation to any additional duty payable as a result of the proportions in the transfer differing from those in the contract.

21. Vendor Statement

The Purchaser acknowledges that prior to signing this Contract or any agreement or document in respect of the sale hereby made which is legally binding upon or intended legally to bind the Purchaser, the Purchaser has been given a statement in writing containing the particulars required by section 32(2) of the Sale of Land Act 1962 (as amended)

22. Trust

If the Purchaser is buying the property as trustee of a Trust (**Trust**) then;

- 23.1.1 The Purchaser must not do anything to prejudice any right of indemnity the Purchaser may have under the Trust;
- 23.1.2 The Purchaser Warrants that the Purchaser has power under the Trust to enter into this contract;
- 23.1.3 If the Trustee is an individual, that signatory is personally liable under the contract for the due performance of the Purchaser's obligations as if the signatory were the Purchaser in case of default by the Purchaser.
- 23.1.4 The Purchaser warrants that the Purchaser has a right of indemnity under the Trust; and
- 23.1.5 The Purchaser must not allow the variation of the Trust or the advance or distribution of capital of the Trust or resettlement of any property belonging to the Trust.

23. Personal property securities register

Notwithstanding General Condition 11 the Vendor is not obliged to ensure that the Purchaser receives a release, statement, approval or correction in respect of any personal property that is required by the Personal Property Securities Regulations 2009 to be described in a registration by a serial number and is not described by serial number in the PPSR.

24. Solar Panels

If there are any solar panels on the land, the purchaser acknowledges and agrees that:

- 25.1. whether or not any benefits currently provided to the vendor by agreement with the current energy supplier (including with respect to feed-in tariffs) pass to the purchaser on the sale of the land is a matter for enquiry and confirmation by the purchaser, and the vendor makes no representation in this regard;
- 25.2. the purchaser will negotiate with the current energy supplier or an energy supplier of the purchaser's choice with respect to any feed-in tariffs for any electricity generated or any other benefits provided by the solar panels;
- 25.3. the purchaser shall indemnify and hold harmless the vendor against any claims whatsoever with respect to the solar panels; and
- 25.4. neither the vendor nor vendor's estate agent has made any representations or warranties with respect to the solar panels in relation to their condition, state of repair, fitness for purpose for which they are installed, their input to the electricity grid, any benefits arising from and electricity generated by the solar panels, or otherwise.

25. Christmas & New Year Holiday Period

If settlement has not taken place on or before 20 December in the calendar year in which settlement is agreed to occur, then both parties agree that settlement will be set on 15 January in the following calendar year. It is agreed that either party will not issue a Default and/or Rescission Notice on the other party between the period of 20 December in the calendar year in which settlement is set to 15 January of the following calendar year, or make any objection, requisition or claim for compensation, arising from/or in connection with the failure to complete settlement under this special condition.

GUARANTEE & INDEMNITY

TO: The vendor as named in the contract to which this document is attached ("the vendor")

IN CONSIDERATION of the vendor, at the request of the person whose name is set forth after paragraph 2 hereto ("the guarantor"), having agreed to sell the property and chattels (if any) to the purchaser, for the price and other terms as contained in the contract, the guarantor;

1. HEREBY GUARANTEES to the vendor the due and punctual payment by the purchaser of the purchase money and interest thereon as detailed in the contract and all other monies that are payable or may become payable pursuant thereto ("the monies hereby secured") and also the due performance and observance by the purchaser of all and singular the covenants provisions and stipulations contained or implied in the contract and on the part of the purchaser to be performed and observed and the guarantor hereby expressly acknowledges and declares that it has examined the contract and has access to a copy thereof and further that this guarantee is given upon and subject to the following conditions:-

- (a) THAT in the event of the purchaser failing to pay the vendor as and when due the monies hereby secured the guarantor will immediately pay the same to the vendor.
- (b) THAT in the event of the purchaser failing to carry out or perform any of its obligations under the contract the guarantor will immediately carry out and perform same.
- (c) THE guarantor shall be deemed to be jointly and severally liable with the purchaser (in lieu of being merely a surety for it) for the payment of the monies hereby secured and it shall not be necessary for the vendor to make any claim or demand on or to take any action or proceedings against the purchaser before calling on the guarantor to pay the moneys or to carry out and perform the obligations herein contained
- (d) THAT no time or other indulgence whatsoever that may be granted by the vendor to the purchaser shall in any manner whatsoever affect a liability of the guarantor hereunder and the liability of the guarantor shall continue to remain in full force and effect until all monies owing to the vendor have been paid and all obligations have been performed.

SCHEDULE

Vendor:

Purchaser:

Guarantor:

Contract: A contract dated the of 2026 between the vendor and the purchaser

EXECUTED AS A DEED on the of 2026

SIGNED SEALED AND DELIVERED BY)
The said guarantor in the presence of:)

.....
Witness

General Conditions

Contract signing

1. ELECTRONIC SIGNATURE

- 1.1 In this general condition "electronic signature" means a digital signature or a visual representation of a person's handwritten signature or mark which is placed on a physical or electronic copy of this contract by electronic or mechanical means, and "electronically signed" has a corresponding meaning.
- 1.2 The parties consent to this contract being signed by or on behalf of a party by an electronic signature.
- 1.3 Where this contract is electronically signed by or on behalf of a party, the party warrants and agrees that the electronic signature has been used to identify the person signing and to indicate that the party intends to be bound by the electronic signature.
- 1.4 This contract may be electronically signed in any number of counterparts which together will constitute the one document.
- 1.5 Each party consents to the exchange of counterparts of this contract by delivery by email or such other electronic means as may be agreed in writing.
- 1.6 Each party must upon request promptly deliver a physical counterpart of this contract with the handwritten signature or signatures of the party and all written evidence of the authority of a person signing on their behalf, but a failure to comply with the request does not affect the validity of this contract.

2. LIABILITY OF SIGNATORY

Any signatory for a proprietary limited company purchaser is personally liable for the due performance of the purchaser's obligations as if the signatory were the purchaser in the case of a default by a proprietary limited company purchaser.

3. GUARANTEE

The vendor may require one or more directors of the purchaser to guarantee the purchaser's performance of this contract if the purchaser is a proprietary limited company.

4. NOMINEE

The purchaser may no later than 14 days before the due date for settlement nominate a substitute or additional person to take a transfer of the land, but the named purchaser remains personally liable for the due performance of all the purchaser's obligations under this contract.

Title

5. ENCUMBRANCES

- 5.1 The purchaser buys the property subject to:
 - (a) any encumbrance shown in the section 32 statement other than mortgages or caveats; and
 - (b) any reservations, exceptions and conditions in the crown grant; and
 - (c) any lease or tenancy referred to in the particulars of sale.
- 5.2 The purchaser indemnifies the vendor against all obligations under any lease or tenancy that are to be performed by the landlord after settlement.

6. VENDOR WARRANTIES

- 6.1 The vendor warrants that these general conditions 1 to 35 are identical to the general conditions 1 to 35 in the form of contract of sale of land published by the Law Institute of Victoria Limited and the Real Estate Institute of Victoria Ltd in the month and year set out at the foot of this page.
- 6.2 The warranties in general conditions 6.3 and 6.4 replace the purchaser's right to make requisitions and inquiries.
- 6.3 The vendor warrants that the vendor:
 - (a) has, or by the due date for settlement will have, the right to sell the land; and
 - (b) is under no legal disability; and
 - (c) is in possession of the land, either personally or through a tenant; and
 - (d) has not previously sold or granted any option to purchase, agreed to a lease or granted a pre-emptive right which is current over the land and which gives another party rights which have priority over the interest of the purchaser; and
 - (e) will at settlement be the holder of an unencumbered estate in fee simple in the land; and
 - (f) will at settlement be the unencumbered owner of any improvements, fixtures, fittings and goods sold with the land.
- 6.4 The vendor further warrants that the vendor has no knowledge of any of the following:
 - (a) public rights of way over the land;
 - (b) easements over the land;
 - (c) lease or other possessory agreement affecting the land;
 - (d) notice or order directly and currently affecting the land which will not be dealt with at settlement, other than the usual rate notices and any land tax notices;
 - (e) legal proceedings which would render the sale of the land void or voidable or capable of being set aside.
- 6.5 The warranties in general conditions 6.3 and 6.4 are subject to any contrary provisions in this contract and disclosures in the section 32 statement.

- 6.6 If sections 137B and 137C of the *Building Act* 1993 apply to this contract, the vendor warrants that:
- (a) all domestic building work carried out in relation to the construction by or on behalf of the vendor of the home was carried out in a proper and workmanlike manner; and
 - (b) all materials used in that domestic building work were good and suitable for the purpose for which they were used and that, unless otherwise stated in the contract, those materials were new; and
 - (c) domestic building work was carried out in accordance with all laws and legal requirements, including, without limiting the generality of this warranty, the *Building Act* 1993 and regulations made under the *Building Act* 1993.
- 6.7 Words and phrases used in general condition 6.6 which are defined in the *Building Act* 1993 have the same meaning in general condition 6.6.

7. IDENTITY OF THE LAND

- 7.1 An omission or mistake in the description of the property or any deficiency in the area, description or measurements of the land does not invalidate the sale.
- 7.2 The purchaser may not:
- (a) make any objection or claim for compensation for any alleged misdescription of the property or any deficiency in its area or measurements; or
 - (b) require the vendor to amend title or pay any cost of amending title.

8. SERVICES

- 8.1 The vendor does not represent that the services are adequate for the purchaser's proposed use of the property and the vendor advises the purchaser to make appropriate inquiries. The condition of the services may change between the day of sale and settlement and the vendor does not promise that the services will be in the same condition at settlement as they were on the day of sale.
- 8.2 The purchaser is responsible for the connection of all services to the property after settlement and the payment of any associated cost.

9. CONSENTS

The vendor must obtain any necessary consent or licence required for the sale. The contract will be at an end and all money paid must be refunded if any necessary consent or licence is not obtained by settlement.

10. TRANSFER & DUTY

- 10.1 The purchaser must prepare and deliver to the vendor at least 7 days before the due date for settlement any paper transfer of land document which is necessary for this transaction. The delivery of the transfer of land document is not acceptance of title.
- 10.2 The vendor must promptly initiate the Duties on Line or other form required by the State Revenue Office in respect of this transaction, and both parties must co-operate to complete it as soon as practicable.

11. RELEASE OF SECURITY INTEREST

- 11.1 This general condition applies if any part of the property is subject to a security interest to which the *Personal Property Securities Act* 2009 (Cth) applies.
- 11.2 For the purposes of enabling the purchaser to search the Personal Property Securities Register for any security interests affecting any personal property for which the purchaser may be entitled to a release, statement, approval or correction in accordance with general condition 11.4, the purchaser may request the vendor to provide the vendor's date of birth to the purchaser. The vendor must comply with a request made by the purchaser under this condition if the purchaser makes the request at least 21 days before the due date for settlement.
- 11.3 If the purchaser is given the details of the vendor's date of birth under condition 11.2, the purchaser must-
- (a) only use the vendor's date of birth for the purposes specified in condition 7.2; and
 - (b) keep the date of birth of the vendor secure and confidential.
- 11.4 The vendor must ensure that at or before settlement, the purchaser receives-
- (a) a release from the secured party releasing the property from the security interest; or
 - (b) a statement in writing in accordance with section 275(1) (b) of the *Personal Property Securities Act* 2009 (Cth) setting out that the amount or obligation that is secured is nil at settlement; or
 - (c) a written approval or correction in accordance with section 275(1)(c) of the *Personal Property Securities Act* 2009 (Cth) indicating that, on settlement, the personal property included in the contract is not or will not be property in which the security interest is granted.
- 11.5 Subject to general condition 7.6, the vendor is not obliged to ensure that the purchaser receives a release, statement, approval or correction in respect of personal property-
- (a) that-
 - (i) the purchaser intends to use predominantly for personal, domestic or household purposes; and
 - (ii) has a market value of not more than \$5000 or, if a greater amount has been prescribed for the purposes of section 47(1) of the *Personal Property Securities Act* 2009 (Cth), not more than that prescribed amount; or
 - (b) that is sold in the ordinary course of the vendor's business of selling personal property of that kind;

- 11.6 The vendor is obliged to ensure that the purchaser receives a release, statement, approval or correction in respect of personal property described in general condition 11.5 if-
- (a) the personal property is of a kind that may or must be described by serial number in the Personal Property Securities Register; or
 - (b) the purchaser has actual or constructive knowledge that the sale constitutes a breach of the security agreement that provides for the security interest.
- 11.7 A release for the purposes of general condition 11.4(a) must be in writing.
- 11.8 A release for the purposes of general condition 11.4(a) must be effective in releasing the goods from the security interest and be in a form which allows the purchaser to take title to the goods free of that security interest.
- 11.9 If the purchaser received a release under general condition 11.4(a) the purchaser must provide the vendor with a copy of the release at or as soon as practicable after settlement.
- 11.10 In addition to ensuring that a release is received under general condition 11.4(a), the vendor must ensure that at or before settlement the purchaser receives a written undertaking from a secured party to register a financing change statement to reflect that release if the property being released includes goods of a kind that are described by serial number in the Personal Property Securities Register.
- 11.11 The purchaser must advise the vendor of any security interest that is registered on or before the day of sale on the Personal Property Securities Register, which the purchaser reasonably requires to be released, at least 21 days before the due date for settlement.
- 11.12 The vendor may delay settlement until 21 days after the purchaser advises the vendor of the security interests that the purchaser reasonably requires to be released if the purchaser does not provide an advice under general condition 11.11.
- 11.13 If settlement is delayed under general condition 11.12 the purchaser must pay the vendor-
- (a) interest from the due date for settlement until the date on which settlement occurs or 21 days after the vendor receives the advice, whichever is the earlier; and
 - (b) any reasonable costs incurred by the vendor as a result of the delay- as though the purchaser was in default.
- 11.14 The vendor is not required to ensure that the purchaser receives a release in respect of the land. This general condition 7.14 applies despite general condition 7.1.
- 11.15 Words and phrases which are defined in the *Personal Property Securities Act 2009* (Cth) have the same meaning in general condition 7 unless the context requires otherwise.

12. BUILDER WARRANTY INSURANCE

The vendor warrants that the vendor will provide at settlement details of any current builder warranty insurance in the vendor's possession relating to the property if requested in writing to do so at least 21 days before settlement.

13. GENERAL LAW LAND

- 13.1 The vendor must complete a conversion of title in accordance with section 14 of the *Transfer of Land Act 1958* before settlement if the land is the subject of a provisional folio under section 23 of that Act.
- 13.2 The remaining provisions of this general condition 13 only apply if any part of the land is not under the operation of the *Transfer of Land Act 1958*.
- 13.3 The vendor is taken to be the holder of an unencumbered estate in fee simple in the land if there is an unbroken chain of title starting at least 30 years before the day of sale proving on the face of the documents the ownership of the entire legal and equitable estate without the aid of other evidence.
- 13.4 The purchaser is entitled to inspect the vendor's chain of title on request at such place in Victoria as the vendor nominates.
- 13.5 The purchaser is taken to have accepted the vendor's title if:
- (a) 21 days have elapsed since the day of sale; and
 - (b) the purchaser has not reasonably objected to the title or reasonably required the vendor to remedy a defect in the title.
- 13.6 The contract will be at an end if:
- (a) the vendor gives the purchaser a notice that the vendor is unable or unwilling to satisfy the purchaser's objection or requirement and that the contract will end if the objection or requirement is not withdrawn within 14 days of the giving of the notice; and
 - (b) the objection or requirement is not withdrawn in that time.
- 13.7 If the contract ends in accordance with general condition 13.6, the deposit must be returned to the purchaser and neither party has a claim against the other in damages.
- 13.8 General condition 17.1 [settlement] should be read as if the reference to 'registered proprietor' is a reference to 'owner' in respect of that part of the land which is not under the operation of the *Transfer of Land Act 1958*.

Money

14. DEPOSIT

- 14.1 The purchaser must pay the deposit:
- to the vendor's licensed estate agent; or
 - if there is no estate agent, to the vendor's legal practitioner or conveyancer; or
 - if the vendor directs, into a special purpose account in an authorised deposit-taking institution in Victoria specified by the vendor in the joint names of the purchaser and the vendor.
- 14.2 If the land sold is a lot on an unregistered plan of subdivision, the deposit:
- must not exceed 10% of the price; and
 - must be paid to the vendor's estate agent, legal practitioner or conveyancer and held by the estate agent, legal practitioner or conveyancer on trust for the purchaser until the registration of the plan of subdivision.
- 14.3 The deposit must be released to the vendor if:
- the vendor provides particulars, to the satisfaction of the purchaser, that either:
 - there are no debts secured against the property; or
 - if there are any debts, the total amount of those debts together with any amounts to be withheld in accordance with general conditions 24 and 25 does not exceed 80% of the sale price; and
 - at least 28 days have elapsed since the particulars were given to the purchaser under paragraph (a); and
 - all conditions of section 27 of the Sale of Land Act 1962 have been satisfied.
- 14.4 The stakeholder must pay the deposit and any interest to the party entitled when the deposit is released, the contract is settled, or the contract is ended.
- 14.5 The stakeholder may pay the deposit and any interest into court if it is reasonable to do so.
- 14.6 Where the purchaser is deemed by section 27(7) of the Sale of Land Act 1962 to have given the deposit release authorisation referred to in section 27(1), the purchaser is also deemed to have accepted title in the absence of any prior express objection to title.
- 14.7 Payment of the deposit may be made or tendered:
- in cash up to \$1,000 or 0.2% of the price, whichever is greater; or
 - by cheque drawn on an authorised deposit-taking institution; or
 - by electronic funds transfer to a recipient having the appropriate facilities for receipt.
- However, unless otherwise agreed:
- payment may not be made by credit card, debit card or any other financial transfer system that allows for any chargeback or funds reversal other than for fraud or mistaken payment, and
 - any financial transfer or similar fees or deductions from the funds transferred, other than any fees charged by the recipient's authorised deposit-taking institution, must be paid by the remitter.
- 14.8 Payment by electronic funds transfer is made when cleared funds are received in the recipient's bank account.
- 14.9 Before the funds are electronically transferred the intended recipient must be notified in writing and given sufficient particulars to readily identify the relevant transaction.
- 14.10 As soon as the funds have been electronically transferred the intended recipient must be provided with the relevant transaction number or reference details.
- 14.11 For the purpose of this general condition 'authorised deposit-taking institution' means a body corporate for which an authority under section 9(3) of the Banking Act 1959 (Cth) is in force.

15. DEPOSIT BOND

- 15.1 This general condition only applies if the applicable box in the particulars of sale is checked.
- 15.2 In this general condition "deposit bond" means an irrevocable undertaking to pay on demand an amount equal to the deposit or any unpaid part of the deposit. The issuer and the form of the deposit bond must be satisfactory to the vendor. The deposit bond must have an expiry date at least 45 days after the due date for settlement.
- 15.3 The purchaser may deliver a deposit bond to the vendor's estate agent, legal practitioner or conveyancer within 7 days after the day of sale.
- 15.4 The purchaser may at least 45 days before a current deposit bond expires deliver a replacement deposit bond on the same terms and conditions.
- 15.5 Where a deposit bond is delivered, the purchaser must pay the deposit to the vendor's legal practitioner or conveyancer on the first to occur of:
- settlement;
 - the date that is 45 days before the deposit bond or any replacement deposit bond expires;
 - the date on which this contract ends in accordance with general condition 35.2 [default not remedied] following breach by the purchaser; and
 - the date on which the vendor ends this contract by accepting repudiation of it by the purchaser.
- 15.6 The vendor may claim on the deposit bond without prior notice if the purchaser defaults under this contract or repudiates this contract and the contract is ended. The amount paid by the issuer satisfies the obligations of the purchaser under general

condition 15.5 to the extent of the payment.

15.7 Nothing in this general condition limits the rights of the vendor if the purchaser defaults under this contract or repudiates this contract, except as provided in general condition 15.6.

15.8 This general condition is subject to general condition 14.2 [deposit].

16. BANK GUARANTEE

16.1 This general condition only applies if the applicable box in the particulars of sale is checked.

16.2 In this general condition:

- (a) "bank guarantee" means an unconditional and irrevocable guarantee or undertaking by a bank in a form satisfactory to the vendor to pay on demand any amount under this contract agreed in writing, and
- (b) "bank" means an authorised deposit-taking institution under the Banking Act 1959 (Cth).

16.3 The purchaser may deliver a bank guarantee to the vendor's legal practitioner or conveyancer.

16.4 The purchaser must pay the amount secured by the bank guarantee to the vendor's legal practitioner or conveyancer on the first to occur of:

- (a) settlement;
- (b) the date that is 45 days before the bank guarantee expires;
- (c) the date on which this contract ends in accordance with general condition 35.2 [default not remedied] following breach by the purchaser; and
- (d) the date on which the vendor ends this contract by accepting repudiation of it by the purchaser.

16.5 The vendor must return the bank guarantee document to the purchaser when the purchaser pays the amount secured by the bank guarantee in accordance with general condition 16.4.

16.6 The vendor may claim on the bank guarantee without prior notice if the purchaser defaults under this contract or repudiates this contract and the contract is ended. The amount paid by the bank satisfies the obligations of the purchaser under general condition 16.4 to the extent of the payment.

16.7 Nothing in this general condition limits the rights of the vendor if the purchaser defaults under this contract or repudiates this contract except as provided in general condition 16.6.

16.8 This general condition is subject to general condition 14.2 [deposit].

17. SETTLEMENT

17.1 At settlement:

- (a) the purchaser must pay the balance; and
- (b) the vendor must:
 - (i) do all things necessary to enable the purchaser to become the registered proprietor of the land; and
 - (ii) give either vacant possession or receipt of rents and profits in accordance with the particulars of sale.

17.2 Settlement must be conducted between the hours of 10.00 am and 4.00 pm unless the parties agree otherwise.

17.3 The purchaser must pay all money other than the deposit in accordance with a written direction of the vendor or the vendor's legal practitioner or conveyancer.

18. ELECTRONIC SETTLEMENT

18.1 Settlement and lodgment of the instruments necessary to record the purchaser as registered proprietor of the land will be conducted electronically in accordance with the Electronic Conveyancing National Law. This general condition 18 has priority over any other provision of this contract to the extent of any inconsistency.

18.2 A party must immediately give written notice if that party reasonably believes that settlement and lodgment can no longer be conducted electronically. General condition 18 ceases to apply from when such a notice is given.

18.3 Each party must:

- (a) be, or engage a representative who is, a subscriber for the purposes of the Electronic Conveyancing National Law,
- (b) ensure that all other persons for whom that party is responsible and who are associated with this transaction are, or engage, a subscriber for the purposes of the Electronic Conveyancing National Law, and
- (c) conduct the transaction in accordance with the Electronic Conveyancing National Law.

18.4 The vendor must open the electronic workspace ("workspace") as soon as reasonably practicable and nominate a date and time for settlement. The inclusion of a specific date and time for settlement in a workspace is not of itself a promise to settle on that date or at that time. The workspace is an electronic address for the service of notices and for written communications for the purposes of any electronic transactions legislation.

18.5 This general condition 18.5 applies if there is more than one electronic lodgment network operator in respect of the transaction. In this general condition 18.5 "the transaction" means this sale and purchase and any associated transaction involving any of the same subscribers.

To the extent that any interoperability rules governing the relationship between electronic lodgment network operators do not provide otherwise:

- (a) the electronic lodgment network operator to conduct all the financial and lodgment aspects of the transaction after the workspace locks must be one which is willing and able to conduct such aspects of the transaction in accordance with the instructions of all the subscribers in the workspaces of all the electronic lodgment network operators after the workspace locks;
- (b) if two or more electronic lodgment network operators meet that description, one may be selected by purchaser's incoming

mortgagee having the highest priority but if there is no mortgagee of the purchaser, the vendor must make the selection.

- 18.6 Settlement occurs when the workspace records that:
- (a) there has been an exchange of funds or value between the exchange settlement account or accounts in the Reserve Bank of Australia of the relevant financial institutions or their financial settlement agents in accordance with the instructions of the parties; or
 - (b) if there is no exchange of funds or value, the documents necessary to enable the purchaser to become registered proprietor of the land have been accepted for electronic lodgment.
- 18.7 The parties must do everything reasonably necessary to effect settlement:
- (a) electronically on the next business day, or
 - (b) at the option of either party, otherwise than electronically as soon as possible –
- if, after the locking of the workspace at the nominated settlement time, settlement in accordance with general condition 18.6 has not occurred by 4.00 pm, or 6.00 pm if the nominated time for settlement is after 4.00 pm.
- 18.8 Each party must do everything reasonably necessary to assist the other party to trace and identify the recipient of any missing or mistaken payment and to recover the missing or mistaken payment
- 18.9 The vendor must before settlement:
- (a) deliver any keys, security devices and codes ("keys") to the estate agent named in the contract,
 - (b) direct the estate agent to give the keys to the purchaser or the purchaser's nominee on notification of settlement by the vendor, the vendor's subscriber or the electronic lodgment network operator;
 - (c) deliver all other physical documents and items (other than the goods sold by the contract) to which the purchaser is entitled at settlement, and any keys if not delivered to the estate agent, to the vendor's subscriber or, if there is no vendor's subscriber, confirm in writing to the purchaser that the vendor holds those documents, items and keys at the vendor's address set out in the contract, and

give, or direct its subscriber to give, all those documents and items and any such keys to the purchaser or the purchaser's nominee on notification by the electronic lodgment network operator of settlement.

19. GST

- 19.1 The purchaser does not have to pay the vendor any amount in respect of GST in addition to the price if the particulars of sale specify that the price includes GST (if any).
- 19.2 The purchaser must pay to the vendor any GST payable by the vendor in respect of a taxable supply made under this contract in addition to the price if:
- (a) the particulars of sale specify that GST (if any) must be paid in addition to the price; or
 - (b) GST is payable solely as a result of any action taken or intended to be taken by the purchaser after the day of sale, including a change of use; or
 - (c) the particulars of sale specify that the supply made under this contract is of land on which a 'farming business' is carried on and the supply (or part of it) does not satisfy the requirements of section 38-480 of the GST Act; or
 - (d) the particulars of sale specify that the supply made under this contract is of a going concern and the supply (or a part of it) does not satisfy the requirements of section 38-325 of the GST Act.
- 19.3 The purchaser is not obliged to pay any GST under this contract until a tax invoice has been given to the purchaser.
- 19.4 If the particulars of sale specify that the supply made under this contract is of land on which a 'farming business' is carried on:
- (a) the vendor warrants that the property is land on which a farming business has been carried on for the period of 5 years preceding the date of supply; and
 - (b) the purchaser warrants that the purchaser intends that a farming business will be carried on after settlement on the property.
- 19.5 If the particulars of sale specify that the supply made under this contract is a 'going concern':
- (a) the parties agree that this contract is for the supply of a going concern; and
 - (b) the purchaser warrants that the purchaser is, or prior to settlement will be, registered for GST; and
 - (c) the vendor warrants that the vendor will carry on the going concern until the date of supply
- 19.6 If the particulars of sale specify that the supply made under this contract is a 'margin scheme' supply, the parties agree that the margin scheme applies to this contract.
- 19.7 In this general condition:
- (a) 'GST Act' means *A New Tax System (Goods and Services Tax) Act 1999* (Cth); and
 - (b) 'GST' includes penalties and interest.

20. LOAN

- 20.1 If the particulars of sale specify that this contract is subject to a loan being approved, this contract is subject to the lender approving the loan on the security of the property by the approval date or any later date allowed by the vendor.

- 20.2 The purchaser may end the contract if the loan is not approved by the approval date, but only if the purchaser:
- (a) immediately applied for the loan; and
 - (b) did everything reasonably required to obtain approval of the loan; and
 - (c) serves written notice ending the contract, together with written evidence of rejection or non-approval of the loan, on the vendor within 2 clear business days after the approval date or any later date allowed by the vendor; and
 - (d) is not in default under any other condition of this contract when the notice is given.
- 20.3 All money must be immediately refunded to the purchaser if the contract is ended.

21. BUILDING REPORT

- 21.1 This general condition only applies if the applicable box in the particulars of sale is checked.
- 21.2 The purchaser may end this contract within 14 days from the day of sale if the purchaser:
- (a) obtains a written report from a registered building practitioner or architect which discloses a current defect in a structure on the land and designates it as a major building defect;
 - (b) gives the vendor a copy of the report and a written notice ending this contract; and
 - (c) is not then in default.
- 21.3 All money paid must be immediately refunded to the purchaser if the contract ends in accordance with this general condition.
- 21.4 A notice under this general condition may be served on the vendor's legal practitioner, conveyancer or estate agent even if the estate agent's authority has formally expired at the time of service.
- 21.5 The registered building practitioner may inspect the property at any reasonable time for the purpose of preparing the report.

22. PEST REPORT

- 22.1 This general condition only applies if the applicable box in the particulars of sale is checked.
- 22.2 The purchaser may end this contract within 14 days from the day of sale if the purchaser:
- (a) obtains a written report from a pest control operator licensed under Victorian law which discloses a current pest infestation on the land and designates it as a major infestation affecting the structure of a building on the land;
 - (b) gives the vendor a copy of the report and a written notice ending this contract; and
 - (c) is not then in default.
- 22.3 All money paid must be immediately refunded to the purchaser if the contract ends in accordance with this general condition.
- 22.4 A notice under this general condition may be served on the vendor's legal practitioner, conveyancer or estate agent even if the estate agent's authority has formally expired at the time of service.
- 22.5 The pest control operator may inspect the property at any reasonable time for the purpose of preparing the report.

23. ADJUSTMENTS

- 23.1 All periodic outgoings payable by the vendor, and any rent and other income received in respect of the property must be apportioned between the parties on the settlement date and any adjustments paid and received as appropriate.
- 23.2 The periodic outgoings and rent and other income must be apportioned on the following basis:
- (a) the vendor is liable for the periodic outgoings and entitled to the rent and other income up to and including the day of settlement; and
 - (b) the land is treated as the only land of which the vendor is owner (as defined in the *Land Tax Act 2005*); and
 - (c) the vendor is taken to own the land as a resident Australian beneficial owner; and
 - (d) any personal statutory benefit available to each party is disregarded in calculating apportionment.
- 23.3 The purchaser must provide copies of all certificates and other information used to calculate the adjustments under general condition 23, if requested by the vendor.

24. FOREIGN RESIDENT CAPITAL GAINS WITHHOLDING

- 24.1 Words defined or used in Subdivision 14-D of Schedule 1 to the *Taxation Administration Act 1953* (Cth) have the same meaning in this general condition unless the context requires otherwise.
- 24.2 Every vendor under this contract is a foreign resident for the purposes of this general condition unless the vendor gives the purchaser a clearance certificate issued by the Commissioner under section 14-220 (1) of Schedule 1 to the *Taxation Administration Act 1953* (Cth). The specified period in the clearance certificate must include the actual date of settlement.
- 24.3 The remaining provisions of this general condition 24 only apply if the purchaser is required to pay the Commissioner an amount in accordance with section 14-200(3) or section 14-235 of Schedule 1 to the *Taxation Administration Act 1953* (Cth) ("the amount") because one or more of the vendors is a foreign resident, the property has or will have a market value not less than the amount set out in section 14-215 of the legislation just after the transaction, and the transaction is not excluded under section 14-215(1) of the legislation.
- 24.4 The amount is to be deducted from the vendor's entitlement to the contract consideration. The vendor must pay to the purchaser at settlement such part of the amount as is represented by non-monetary consideration.

- 24.5 The purchaser must:
- (a) The engage a legal practitioner or conveyancer (“representative”) to conduct all the legal aspects of settlement, including the performance of the purchaser’s obligations under the legislation and this general condition; and
 - (b) ensure that the representative does so.
- 24.6 The terms of the representative’s engagement are taken to include instructions to have regard to the vendor’s interests and instructions that the representative must:
- (a) pay, or ensure payment of, the amount to the Commissioner in the manner required by the Commissioner and as soon as reasonably and practicably possible, from moneys under the control or direction of the representative in accordance with this general condition if the sale of the property settles;
 - (b) promptly provide the vendor with proof of payment; and
 - (c) otherwise comply, or ensure compliance, with this general condition;
- despite:
- (d) any contrary instructions, other than from both the purchaser and the vendor; and
 - (e) any other provision in this contract to the contrary.
- 24.7 The representative is taken to have complied with the requirements of general condition 24.6 if:
- (a) the settlement is conducted through an electronic lodgment network; and
 - (b) the amount is included in the settlement statement requiring payment to the Commissioner in respect of this transaction
- 24.8 Any clearance certificate or document evidencing variation of the amount in accordance with section 14-235(2) of Schedule 1 to the Taxation Administration Act 1953 (Cth) must be given to the purchaser at least 5 business days before the due date for settlement.
- 24.9 The vendor must provide the purchaser with such information as the purchaser requires to comply with the purchaser’s obligation to pay the amount in accordance with section 14-200 of Schedule 1 to the Taxation Administration Act 1953 (Cth). The information must be provided within 5 business days of request by the purchaser. The vendor warrants that the information the vendor provides is true and correct.
- 24.10 The purchaser is responsible for any penalties or interest payable to the Commissioner on account of late payment of the amount.

25. GST WITHHOLDING

- 25.1 Words and expressions defined or used in Subdivision 14-E of Schedule 1 to the *Taxation Administration Act 1953* (Cth) or in *A New Tax System (Goods and Services Tax) Act 1999* (Cth) have the same meaning in this general condition unless the context requires otherwise. Words and expressions first used in this general condition and shown in italics and marked with an asterisk are defined or described in at least one of those Acts.
- 25.2 The purchaser must notify the vendor in writing of the name of the recipient of the *supply for the purposes of section 14-255 of Schedule 1 to the *Taxation Administration Act 1953* (Cth) at least 21 days before the due date for settlement unless the recipient is the purchaser named in the contract.
- 25.3 The vendor must at least 14 days before the due date for settlement provide the purchaser and any person nominated by the purchaser under general condition 4 with a GST withholding notice in accordance with section 14-255 of Schedule 1 to the *Taxation Administration Act 1953* (Cth), and must provide all information required by the purchaser or any person so nominated to confirm the accuracy of the notice.
- 25.4 The remaining provisions of this general condition 25 apply if the purchaser is or may be required to pay the Commissioner an *amount in accordance with section 14-250 of Schedule 1 to the *Taxation Administration Act 1953* (Cth) because the property is *new residential premises or *potential residential land in either case falling within the parameters of that section, and also if the sale attracts the operation of section 14-255 of the legislation. Nothing in this general condition 25 is to be taken as relieving the vendor from compliance with section 14-255.
- 25.5 The amount is to be deducted from the vendor’s entitlement to the contract *consideration and is then taken to be paid to the vendor, whether or not the vendor provides the purchaser with a GST withholding notice in accordance with section 14- 255 of Schedule 1 to the *Taxation Administration Act 1953* (Cth). The vendor must pay to the purchaser at settlement such part of the amount as is represented by non-monetary consideration.
- 25.6 The purchaser must:
- (a) engage a legal practitioner or conveyancer (“representative”) to conduct all the legal aspects of settlement, including the performance of the purchaser’s obligations under the legislation and this general condition; and
 - (b) ensure that the representative does so.
- 25.7 The terms of the representative’s engagement are taken to include instructions to have regard to the vendor’s interests relating to the payment of the amount to the Commissioner and instructions that the representative must:
- (a) pay, or ensure payment of, the amount to the Commissioner in the manner required by the Commissioner and as soon as reasonably and practicably possible, from moneys under the control or direction of the representative in accordance with this general condition on settlement of the sale of the property;
 - (b) promptly provide the vendor with evidence of payment, including any notification or other document provided by the purchaser to the Commissioner relating to payment; and
 - (c) otherwise comply, or ensure compliance, with this general condition;
- despite:
- (d) any contrary instructions, other than from both the purchaser and the vendor; and

(e) any other provision in this contract to the contrary.

25.8 The representative is taken to have complied with the requirements of general condition 25.7 if:

- (a) settlement is conducted through an electronic lodgment network; and
- (b) the amount is included in the settlement statement requiring payment to the Commissioner in respect of this transaction.

25.9 The purchaser may at settlement give the vendor a bank cheque for the amount in accordance with section 16-30 (3) of Schedule 1 to the *Taxation Administration Act 1953* (Cth), but only if:

- (a) so agreed by the vendor in writing; and
- (b) the settlement is not conducted through an electronic lodgment network.

However, if the purchaser gives the bank cheque in accordance with this general condition 25.9, the vendor must:

- (c) immediately after settlement provide the bank cheque to the Commissioner to pay the amount in relation to the supply; and
- (d) give the purchaser a receipt for the bank cheque which identifies the transaction and includes particulars of the bank cheque, at the same time the purchaser gives the vendor the bank cheque.

25.10 A party must provide the other party with such information as the other party requires to:

- (a) decide if an amount is required to be paid or the quantum of it, or
- (b) comply with the purchaser's obligation to pay the amount,

in accordance with section 14-250 of Schedule 1 to the *Taxation Administration Act 1953* (Cth). The information must be provided within 5 business days of a written request. The party providing the information warrants that it is true and correct.

25.11 The vendor warrants that:

- (a) at settlement, the property is not new residential premises or potential residential land in either case falling within the parameters of section 14-250 of Schedule 1 to the *Taxation Administration Act 1953* (Cth) if the vendor gives the purchaser a written notice under section 14-255 to the effect that the purchaser will not be required to make a payment under section 14-250 in respect of the supply, or fails to give a written notice as required by and within the time specified in section 14-255; and
- (b) the amount described in a written notice given by the vendor to the purchaser under section 14-255 of Schedule 1 to the *Taxation Administration Act 1953* (Cth) is the correct amount required to be paid under section 14-250 of the legislation

25.12 The purchaser is responsible for any penalties or interest payable to the Commissioner on account of non-payment or late payment of the amount, except to the extent that:

- (a) the penalties or interest arise from any failure on the part of the vendor, including breach of a warranty in general condition 25.11; or
- (b) the purchaser has a reasonable belief that the property is neither new residential premises nor potential residential land requiring the purchaser to pay an amount to the Commissioner in accordance with section 14-250 (1) of Schedule 1 to the *Taxation Administration Act 1953* (Cth).

The vendor is responsible for any penalties or interest payable to the Commissioner on account of non-payment or late payment of the amount if either exception applies.

Transactional

26. TIME & CO OPERATION

26.1 Time is of the essence of this contract.

26.2 Time is extended until the next business day if the time for performing any action falls on a day which is not a business day.

26.3 Each party must do all things reasonably necessary to enable this contract to proceed to settlement, and must act in a prompt and efficient manner.

26.4 Any unfulfilled obligation will not merge on settlement.

27. SERVICE

27.1 Any document required to be served by or on any party may be served by or on the legal practitioner or conveyancer for that party.

27.2 A cooling off notice under section 31 of the *Sale of Land Act 1962* or a notice under general condition 20 [loan approval], 21 [building report] or 22 [pest report] may be served on the vendor's legal practitioner, conveyancer or estate agent even if the estate agent's authority has formally expired at the time of service.

27.3 A document is sufficiently served:

- (a) personally, or
- (b) by pre-paid post, or
- (c) in any manner authorized by law or by the Supreme Court for service of documents, including any manner authorised for service on or by a legal practitioner, whether or not the person serving or receiving the document is a legal practitioner, or
- (d) by email.

- 27.4 Any document properly sent by:
- (a) express post is taken to have been served on the next business day after posting, unless proved otherwise;
 - (b) priority post is taken to have been served on the fourth business day after posting, unless proved otherwise;
 - (c) regular post is taken to have been served on the sixth business day after posting, unless proved otherwise;
 - (d) email is taken to have been served at the time of receipt within the meaning of section 13A of the *Electronic Transactions (Victoria) Act 2000*
- 27.5 In this contract 'document' includes 'demand' and 'notice', 'serve' includes 'give', and 'served' and 'service' have corresponding meanings.

28. NOTICES

- 28.1 The vendor is responsible for any notice, order, demand or levy imposing liability on the property that is issued or made before the day of sale, and does not relate to periodic outgoings.
- 28.1 The purchaser is responsible for any notice, order, demand or levy imposing liability on the property that is issued or made on or after the day of sale, and does not relate to periodic outgoings.
- 28.3 The purchaser may enter the property to comply with that responsibility where action is required before settlement.

29. INSPECTION

The purchaser and/or another person authorised by the purchaser may inspect the property at any reasonable time during the 7 days preceding and including the settlement day.

30. TERMS CONTRACT

- 30.1 If this is a 'terms contract' as defined in the *Sale of Land Act 1962*:
- (a) any mortgage affecting the land sold must be discharged as to that land before the purchaser becomes entitled to possession or to the receipt of rents and profits unless the vendor satisfies section 29M of the *Sale of Land Act 1962*; and
 - (b) the deposit and all other money payable under the contract (other than any money payable in excess of the amount required to so discharge the mortgage) must be paid to a legal practitioner or conveyancer or a licensed estate agent to be applied in or towards discharging the mortgage.
- 30.2 While any money remains owing each of the following applies:
- (a) the purchaser must maintain full damage and destruction insurance of the property and public risk insurance noting all parties having an insurable interest with an insurer approved in writing by the vendor;
 - (b) the purchaser must deliver copies of the signed insurance application forms, the policies and the insurance receipts to the vendor not less than 10 days before taking possession of the property or becoming entitled to receipt of the rents and profits;
 - (c) the purchaser must deliver copies of any amendments to the policies and the insurance receipts on each amendment or renewal as evidence of the status of the policies from time to time;
 - (d) the vendor may pay any renewal premiums or take out the insurance if the purchaser fails to meet these obligations;
 - (e) insurance costs paid by the vendor under paragraph (d) must be refunded by the purchaser on demand without affecting the vendor's other rights under this contract;
 - (f) the purchaser must maintain and operate the property in good repair (fair wear and tear excepted) and keep the property safe, lawful, structurally sound, weatherproof and free from contaminations and dangerous substances;
 - (g) the property must not be altered in any way without the written consent of the vendor which must not be unreasonably refused or delayed;
 - (h) the purchaser must observe all obligations that affect owners or occupiers of land; and
 - (i) the vendor and/or other person authorised by the vendor may enter the property at any reasonable time to inspect it on giving 7 days written notice, but not more than twice in a year.

31. LOSS OR DAMAGE BEFORE SETTLEMENT

- 31.1 The vendor carries the risk of loss or damage to the property until settlement.
- 31.2 The vendor must deliver the property to the purchaser at settlement in the same condition it was in on the day of sale, except for fair wear and tear.
- 31.3 The purchaser must not delay settlement because one or more of the goods is not in the condition required by general condition 31.2, but may claim compensation from the vendor after settlement.
- 31.4 The purchaser may nominate an amount not exceeding \$5,000 to be held by a stakeholder to be appointed by the parties if the property is not in the condition required by general condition 31.2 at settlement.
- 31.5 The nominated amount may be deducted from the amount due to the vendor at settlement and paid to the stakeholder, but only if the purchaser also pays an amount equal to the nominated amount to the stakeholder.
- 31.6 The stakeholder must pay the amounts referred to in general condition 31.5 in accordance with the determination of the dispute, including any order for payment of the costs of the resolution of the dispute.

32. BREACH

A party who breaches this contract must pay to the other party on demand:

- (a) compensation for any reasonably foreseeable loss to the other party resulting from the breach; and
- (b) any interest due under this contract as a result of the breach.

Default

33. INTEREST

Interest at a rate of 2% per annum plus the rate for the time being fixed by section 2 of the Penalty Interest Rates Act 1983 is payable at settlement on any money owing under the contract during the period of default, without affecting any other rights of the offended party.

34. DEFAULT NOTICE

34.1 A party is not entitled to exercise any rights arising from the other party's default, other than the right to receive interest and the right to sue for money owing, until the other party is given and fails to comply with a written default notice.

34.2 The default notice must:

- (a) specify the particulars of the default; and
- (b) state that it is the offended party's intention to exercise the rights arising from the default unless, within 14 days of the notice being given -
 - (i) the default is remedied; and
 - (ii) the reasonable costs incurred as a result of the default and any interest payable are paid.

35. DEFAULT NOT REMEDIED

35.1 All unpaid money under the contract becomes immediately payable to the vendor if the default has been made by the purchaser and is not remedied and the costs and interest are not paid.

35.2 The contract immediately ends if:

- (a) the default notice also states that unless the default is remedied and the reasonable costs and interest are paid, the contract will be ended in accordance with this general condition; and
- (b) the default is not remedied and the reasonable costs and interest are not paid by the end of the period of the default notice.

35.3 If the contract ends by a default notice given by the purchaser:

- (a) the purchaser must be repaid any money paid under the contract and be paid any interest and reasonable costs payable under the contract; and
- (b) all those amounts are a charge on the land until payment; and
- (c) the purchaser may also recover any loss otherwise recoverable.

35.4 If the contract ends by a default notice given by the vendor:

- (a) the deposit up to 10% of the price is forfeited to the vendor as the vendor's absolute property, whether the deposit has been paid or not; and
- (b) the vendor is entitled to possession of the property; and
- (c) in addition to any other remedy, the vendor may within one year of the contract ending either:
 - (i) retain the property and sue for damages for breach of contract; or
 - (ii) resell the property in any manner and recover any deficiency in the price on the resale and any resulting expenses by way of liquidated damages; and
- (d) the vendor may retain any part of the price paid until the vendor's damages have been determined and may apply that money towards those damages; and
- (e) any determination of the vendor's damages must take into account the amount forfeited to the vendor.

35.5 The ending of the contract does not affect the rights of the offended party as a consequence of the default.

Due diligence checklist

What you need to know before buying a residential property

Before you buy a home, you should be aware of a range of issues that may affect that property and impose restrictions or obligations on you, if you buy it. This checklist aims to help you identify whether any of these issues will affect you. The questions are a starting point only and you may need to seek professional advice to answer some of them. You can find links to organisations and web pages that can help you learn more, by visiting the [Due diligence checklist page on the Consumer Affairs Victoria website](https://consumer.vic.gov.au/duediligencechecklist) (consumer.vic.gov.au/duediligencechecklist).

Urban living

Moving to the inner city?

High density areas are attractive for their entertainment and service areas, but these activities create increased traffic as well as noise and odours from businesses and people. Familiarising yourself with the character of the area will give you a balanced understanding of what to expect.

Is the property subject to an owners corporation?

If the property is part of a subdivision with common property such as driveways or grounds, it may be subject to an owners corporation. You may be required to pay fees and follow rules that restrict what you can do on your property, such as a ban on pet ownership.

Growth areas

Are you moving to a growth area?

You should investigate whether you will be required to pay a growth areas infrastructure contribution.

Flood and fire risk

Does this property experience flooding or bushfire?

Properties are sometimes subject to the risk of fire and flooding due to their location. You should properly investigate these risks and consider their implications for land management, buildings and insurance premiums.

Rural properties

Moving to the country?

If you are looking at property in a rural zone, consider:

Is the surrounding land use compatible with your lifestyle expectations? Farming can create noise or odour that may be at odds with your expectations of a rural lifestyle.

Are you considering removing native vegetation? There are regulations which affect your ability to remove native vegetation on private property.

Do you understand your obligations to manage weeds and pest animals?

Can you build new dwellings?

Does the property adjoin crown land, have a water frontage, contain a disused government road, or are there any crown licences associated with the land?

Is there any earth resource activity such as mining in the area?

You may wish to find out more about exploration, mining and quarrying activity on or near the property and consider the issue of petroleum, geothermal and greenhouse gas sequestration permits, leases and licences, extractive industry authorisations and mineral licences.

Soil and groundwater contamination

Has previous land use affected the soil or groundwater?

You should consider whether past activities, including the use of adjacent land, may have caused contamination at the site and whether this may prevent you from doing certain things to or on the land in the future.

Land boundaries

Do you know the exact boundary of the property?

You should compare the measurements shown on the title document with actual fences and buildings on the property, to make sure the boundaries match. If you have concerns about this, you can speak to your lawyer or conveyancer, or commission a site survey to establish property boundaries.

Planning controls

Can you change how the property is used, or the buildings on it?

All land is subject to a planning scheme, run by the local council. How the property is zoned and any overlays that may apply, will determine how the land can be used. This may restrict such things as whether you can build on vacant land or how you can alter or develop the land and its buildings over time.

The local council can give you advice about the planning scheme, as well as details of any other restrictions that may apply, such as design guidelines or bushfire safety design. There may also be restrictions – known as encumbrances – on the property's title, which prevent you from developing the property. You can find out about encumbrances by looking at the section 32 statement.

Are there any proposed or granted planning permits?

The local council can advise you if there are any proposed or issued planning permits for any properties close by. Significant developments in your area may change the local 'character' (predominant style of the area) and may increase noise or traffic near the property.

Safety

Is the building safe to live in?

Building laws are in place to ensure building safety. Professional building inspections can help you assess the property for electrical safety, possible illegal building work, adequate pool or spa fencing and the presence of asbestos, termites, or other potential hazards.

Building permits

Have any buildings or retaining walls on the property been altered, or do you plan to alter them?

There are laws and regulations about how buildings and retaining walls are constructed, which you may wish to investigate to ensure any completed or proposed building work is approved. The local council may be able to give you information about any building permits issued for recent building works done to the property, and what you must do to plan new work. You can also commission a private building surveyor's assessment.

Are any recent building or renovation works covered by insurance?

Ask the vendor if there is any owner-builder insurance or builder's warranty to cover defects in the work done to the property.

Utilities and essential services

Does the property have working connections for water, sewerage, electricity, gas, telephone and internet?

Unconnected services may not be available, or may incur a fee to connect. You may also need to choose from a range of suppliers for these services. This may be particularly important in rural areas where some services are not available.

Buyers' rights

Do you know your rights when buying a property?

The contract of sale and section 32 statement contain important information about the property, so you should request to see these and read them thoroughly. Many people engage a lawyer or conveyancer to help them understand the contracts and ensure the sale goes through correctly. If you intend to hire a professional, you should consider speaking to them before you commit to the sale. There are also important rules about the way private sales and auctions are conducted. These may include a cooling-off period and specific rights associated with 'off the plan' sales. The important thing to remember is that, as the buyer, you have rights.

Vendor Statement

The vendor makes this statement in respect of the land in accordance with section 32 of the *Sale of Land Act* 1962.

This statement must be signed by the vendor and given to the purchaser before the purchaser signs the contract.

The vendor may sign by electronic signature.

The purchaser acknowledges being given this statement signed by the vendor with the attached documents before the purchaser signed any contract.

Land	3/37-39 George Street, Reservoir 3073
-------------	---------------------------------------

Vendor's name	ROBERTA COLOSIMO	Date / /
Vendor's signature		

Purchaser's name		Date / /
Purchaser's signature		

Purchaser's name		Date / /
Purchaser's signature		

1 FINANCIAL MATTERS

1.1 Particulars of any Rates, Taxes, Charges or Other Similar Outgoings (and any interest on them)

(a) Their total does not exceed:

\$10,000.00

1.2 Particulars of any Charge (whether registered or not) imposed by or under any Act to secure an amount due under that Act, including the amount owing under the charge

	To	
--	----	--

Other particulars (including dates and times of payments):

1.3 Terms Contract

This section 1.3 only applies if this vendor statement is in respect of a terms contract where the purchaser is obliged to make 2 or more payments (other than a deposit or final payment) to the vendor after the execution of the contract and before the purchaser is entitled to a conveyance or transfer of the land.

Not Applicable.

1.4 Sale Subject to Mortgage

This section 1.4 only applies if this vendor statement is in respect of a contract which provides that any mortgage (whether registered or unregistered), is NOT to be discharged before the purchaser becomes entitled to possession or receipts of rents and profits.

Not Applicable.

1.5 Commercial and Industrial Property Tax Reform Act 2024 (Vic) (CIPT Act)

(a) The Australian Valuation Property Classification Code (within the meaning of the CIPT Act) most recently allocated to the land is set out in the attached Municipal rates notice or property clearance certificate or is as follows	AVPCC No.
(b) Is the land tax reform scheme land within the meaning of the CIPT Act?	<input type="checkbox"/> Yes <input checked="" type="checkbox"/> No
(c) If the land is tax reform scheme land within the meaning of the CIPT Act, the entry date within the meaning of the CIPT Act is set out in the attached Municipal rates notice of property clearance certificate or is as follows	Date: OR <input checked="" type="checkbox"/> Not applicable

2 INSURANCE

2.1 Damage and Destruction

This section 2.1 only applies if this vendor statement is in respect of a contract which does NOT provide for the land to remain at the risk of the vendor until the purchaser becomes entitled to possession or receipt of rents and profits.

Not Applicable.

2.2 Owner Builder

This section 2.2 only applies where there is a residence on the land that was constructed by an owner-builder within the preceding 6 years and section 137B of the *Building Act* 1993 applies to the residence.

Not Applicable.

3 LAND USE

3.1 Easements, Covenants or Other Similar Restrictions

(a) A description of any easement, covenant or other similar restriction affecting the land (whether registered or unregistered): -

Is in the attached copies of title documents.

(b) Particulars of any existing failure to comply with that easement, covenant or other similar restriction are:

To the best of the vendor's knowledge, there is no existing failure to comply with the terms of any easement, covenant or other similar restriction.

3.2. Road Access

There is NO access to the property by road if the square box is marked with an 'X'

3.3. Designated Bushfire Prone Area

The land is in a designated bushfire prone area under section 192A of the *Building Act 1993* if the square box is marked with an 'X'

3.4. Planning Scheme

Attached is a certificate with the required specified information.

4 NOTICES

4.1. Notice, Order, Declaration, Report or Recommendation

Particulars of any notice, order, declaration, report or recommendation of a public authority or government department or approved proposal directly and currently affecting the land, being a notice, order, declaration, report, recommendation or approved proposal of which the vendor might reasonably be expected to have knowledge:

Are contained in the attached certificates and/or statements if any.

4.2. Agricultural Chemicals

There are NO notices, property management plans, reports or orders in respect of the land issued by a government department or public authority in relation to livestock disease or contamination by agricultural chemicals affecting the ongoing use of the land for agricultural purposes. However, if this is not the case, the details of any such notices, property management plans, reports or orders, are as follows:

Not Applicable.

4.3. Compulsory Acquisition

The particulars of any notices of intention to acquire that have been served under section 6 of the *Land Acquisition and Compensation Act 1986* are as follows:

Not Applicable.

5 BUILDING PERMITS

Particulars of any building permit issued under the *Building Act 1993* in the preceding 7 years (required only where there is a residence on the land):

Not Applicable.

6 OWNERS CORPORATION

This section 6 only applies if the land is affected by an owners corporation within the meaning of the *Owners Corporations Act 2006*.

6.1 Attached is a current owners corporation certification with its required accompanying documents and statements, issued in accordance with section 151 of the *Owners Corporation Act 2006*.

7 GROWTH AREAS INFRASTRUCTURE CONTRIBUTION ("GAIC")

Not Applicable.

8 SERVICES

The services which are marked with an 'X' in the accompanying square box are NOT connected to the land:

Electricity supply <input type="checkbox"/>	Gas supply <input type="checkbox"/>	Water supply <input type="checkbox"/>	Sewerage <input type="checkbox"/>	Telephone services <input checked="" type="checkbox"/>
---	-------------------------------------	---------------------------------------	-----------------------------------	--

9 TITLE

Attached are copies of the following documents:

9.1 (a) Registered Title

A Register Search Statement and the document, or part of a document, referred to as the 'diagram location' in that statement which identifies the land and its location.

10 SUBDIVISION

10.1. Unregistered Subdivision

This section 10.1 only applies if the land is subject to a subdivision which is not registered.

Not Applicable.

10.2. Staged Subdivision

This section 10.2 only applies if the land is part of a staged subdivision within the meaning of section 37 of the *Subdivision Act 1988*.

Not Applicable.

10.3. Further Plan of Subdivision

This section 10.3 only applies if the land is subject to a subdivision in respect of which a further plan within the meaning of the *Subdivision Act 1988* is proposed.

Not Applicable.

11 DISCLOSURE OF ENERGY INFORMATION

(Disclosure of this information is not required under section 32 of the Sale of Land Act 1962 but may be included in this vendor statement for convenience.)

Details of any energy efficiency information required to be disclosed regarding a disclosure affected building or disclosure area affected area of a building as defined by the *Building Energy Efficiency Disclosure Act 2010* (Cth)

- (a) to be a building or part of a building used or capable of being used as an office for administrative, clerical, professional or similar based activities including any support facilities; and
- (b) which has a net lettable area of at least 1000m²; (but does not include a building under a strata title system or if an occupancy permit was issued less than 2 years before the relevant date):

Not Applicable.

12 DUE DILIGENCE CHECKLIST

(The Sale of Land Act 1962 provides that the vendor or the vendor's licensed estate agent must make a prescribed due diligence checklist available to purchasers before offering land for sale that is vacant residential land or land on which there is a residence. The due diligence checklist is NOT required to be provided with, or attached to, this vendor statement but the checklist may be attached as a matter of convenience.)

- Vacant Residential Land or Land with a Residence
- Attach Due Diligence Checklist (this will be attached if ticked)

13 ATTACHMENTS

(Any certificates, documents and other attachments may be annexed to this section 13)

(Additional information may be added to this section 13 where there is insufficient space in any of the earlier sections)

(Attached is an "Additional Vendor Statement" if section 1.3 (Terms Contract) or section 1.4 (Sale Subject to Mortgage) applies)

--

REGISTER SEARCH STATEMENT (Title Search) Transfer of Land Act 1958

Page 1 of 2

VOLUME 09368 FOLIO 521

Security no : 124133558026L
Produced 07/04/2026 11:48 AM

LAND DESCRIPTION

Lot 3 on Registered Plan of Strata Subdivision 014693.
REGISTRATION OF DEALINGS WITH THIS LOT IS RESTRICTED
PARENT TITLES :
Volume 04434 Folio 791 Volume 07756 Folio 173
Created by instrument H888273 20/03/1980

REGISTERED PROPRIETOR

Estate Fee Simple
Sole Proprietor
ROBERTA COLOSIMO of UNIT 3 37-39 GEORGE STREET RESERVOIR VIC 3073
AG080085P 12/09/2008

ENCUMBRANCES, CAVEATS AND NOTICES

MORTGAGE AG080086M 12/09/2008
COMMONWEALTH BANK OF AUSTRALIA

Any encumbrances created by Section 98 Transfer of Land Act 1958 or Section 24 Subdivision Act 1988 or Section 12 Strata Titles Act 1967 and any other encumbrances shown or entered on the plan set out under DIAGRAM LOCATION below.

DIAGRAM LOCATION

SEE RP014693 FOR FURTHER DETAILS AND BOUNDARIES

ACTIVITY IN THE LAST 125 DAYS

NIL

-----END OF REGISTER SEARCH STATEMENT-----

Additional information: (not part of the Register Search Statement)

Street Address: UNIT 3 37-39 GEORGE STREET RESERVOIR VIC 3073

ADMINISTRATIVE NOTICES

NIL

eCT Control 15940N COMMONWEALTH BANK OF AUSTRALIA
Effective from 23/10/2016

OWNERS CORPORATIONS

The land in this folio is affected by
OWNERS CORPORATION PLAN NO. RP014693

REGISTER SEARCH STATEMENT (Title Search) Transfer of Land Act 1958

DOCUMENT END

INFORMATION ONLY

**REGISTER SEARCH STATEMENT (Title Search) Transfer of
Land Act 1958**

Page 1 of 2

VOLUME 09368 FOLIO 525

Security no : 124133559127P
Produced 07/04/2026 12:02 PM

LAND DESCRIPTION

Lot 7 on Registered Plan of Strata Subdivision 014693.
CAR PARK
PARENT TITLES :
Volume 04434 Folio 791 Volume 07756 Folio 173
Created by instrument H888273 20/03/1980

REGISTERED PROPRIETOR

Estate Fee Simple
Sole Proprietor
ROBERTA COLOSIMO of UNIT 3 37-39 GEORGE STREET RESERVOIR VIC 3073
AG080085P 12/09/2008

ENCUMBRANCES, CAVEATS AND NOTICES

MORTGAGE AG080086M 12/09/2008
COMMONWEALTH BANK OF AUSTRALIA

Any encumbrances created by Section 98 Transfer of Land Act 1958 or Section 24 Subdivision Act 1988 or Section 12 Strata Titles Act 1967 and any other encumbrances shown or entered on the plan set out under DIAGRAM LOCATION below.

DIAGRAM LOCATION

SEE RP014693 FOR FURTHER DETAILS AND BOUNDARIES

ACTIVITY IN THE LAST 125 DAYS

NIL

-----END OF REGISTER SEARCH STATEMENT-----

Additional information: (not part of the Register Search Statement)

Street Address: GEORGE STREET RESERVOIR VIC 3073

ADMINISTRATIVE NOTICES

NIL

eCT Control 15940N COMMONWEALTH BANK OF AUSTRALIA
Effective from 23/10/2016

OWNERS CORPORATIONS

The land in this folio is affected by
OWNERS CORPORATION PLAN NO. RP014693

**REGISTER SEARCH STATEMENT (Title Search) Transfer of
Land Act 1958**

DOCUMENT END

INFORMATION ONLY

Imaged Document Cover Sheet

The document following this cover sheet is an imaged document supplied by LANDATA®, Secure Electronic Registries Victoria.

Document Type	Plan
Document Identification	RP014693
Number of Pages (excluding this cover sheet)	2
Document Assembled	07/04/2026 11:48

Copyright and disclaimer notice:

© State of Victoria. This publication is copyright. No part may be reproduced by any process except in accordance with the provisions of the Copyright Act 1968 (Cth) and for the purposes of Section 32 of the Sale of Land Act 1962 or pursuant to a written agreement. The information is only valid at the time and in the form obtained from the LANDATA® System. None of the State of Victoria, LANDATA®, Secure Electronic Registries Victoria Pty Ltd (ABN 86 627 986 396) as trustee for the Secure Electronic Registries Victoria Trust (ABN 83 206 746 897) accept responsibility for any subsequent release, publication or reproduction of the information.

The document is invalid if this cover sheet is removed or altered.

PLAN OF STRATA SUBDIVISION		EDITION 1	RP014693		
LOCATION OF LAND		FOR CURRENT OWNERS CORPORATION DETAILS AND ADDRESS FOR SERVICE OF NOTICE SEE OWNERS CORPORATION SEARCH REPORT			
PARISH:	KEELBUNDORA	SURVEYOR'S CERTIFICATE			
TOWNSHIP:	-	Surveyor: BARRIE WILLIAM BREMNER			
SECTION:	-	Certification Date: 19/10/1979			
CROWN ALLOTMENT:	-	SEAL OF MUNICIPALITY AND ENDORSEMENT			
CROWN PORTION:	12 (PART)	Sealed pursuant to Section 6 (1) of the Strata Titles Act 1967 by CITY OF PRESTON on 06/02/1980			
TITLE REFERENCE:	VOL.4434 FOL.791 & VOL.7756 FOL.173	REGISTERED DATE: 20/03/1980			
LAST PLAN REFERENCE:	LOT 43 (PART) ON LP5969 & LOT 1 ON LP24135	PLAN UPDATED BY REGISTRAR IN AN661031Q: 02/04/2025			
DEPTH LIMITATION:	DOES NOT APPLY				
POSTAL ADDRESS:	37 - 39 GEORGE STREET RESERVOIR 3073				
LEGEND					
THE BUILDING IN THE PARCEL CONTAINED IN LOTS 1 TO 4 IS A SINGLE STOREY BUILDING.					
THE LOWER BOUNDARY OF LOTS 1 TO 4 IS ONE METRE BELOW THAT PART OF THE SITE OF THE RELEVANT LOT. THE UPPER BOUNDARY OF THESE LOTS IS EIGHT METRES ABOVE THAT PART OF THE SITE.					
NO BUILDING OR PART OF A BUILDING IS CONTAINED IN LOTS 5 TO 8.					
THE LOWER BOUNDARY OF LOTS 5 TO 8 IS THAT PART OF THE SITE OF THE RELEVANT LOT. THE UPPER BOUNDARY OF THESE LOTS IS THREE METRES ABOVE ITS LOWER BOUNDARY.					
LOTS 5 TO 8 ARE ACCESSORY LOTS.					
COMMON PROPERTY IS ALL OF THE LAND IN THE PLAN EXCEPT THE LOTS AND MAY INCLUDE LAND ABOVE AND BELOW THE LOTS. COMMON PROPERTY MAY BE SHOWN AS "CP" ON DIAGRAMS.					
BOUNDARIES DEFINED BY STRUCTURE OR BUILDING ARE SHOWN AS THICK CONTINUOUS LINES. ANY OTHER BOUNDARY IS SHOWN BY A THICK BROKEN LINE.					
<u>LOCATION OF BOUNDARIES DEFINED BY STRUCTURE OR BUILDING:</u>					
MEDIAN: ALL BOUNDARIES UNLESS OTHERWISE STATED OR SHOWN (SEE LOT 5)					
NOTICE OF RESTRICTION					
LOTS 1 TO 4 ARE RESTRICTED LOTS.					
LOTS 5 TO 8 ARE CAR PARK LOTS.					
REGISTRATION OF DEALINGS WITH LOTS 1 TO 4 IS RESTRICTED.					
EASEMENT INFORMATION					
LEGEND: A - Appurtenant Easement E - Encumbering Easement R - Encumbering Easement (Road)					
ENCUMBRANCES REFERRED TO IN SECTION 12 (2) OF THE SUBDIVISION ACT 1988 APPLY TO ALL THE LAND IN THIS PLAN					
Easement Reference	Purpose	Width	Origin	Land Benefitted /In Favour Of	Plan Parcel Affected
MEASUREMENTS ARE IN METRES					
SHEET 1 OF 2					

Imaged Document Cover Sheet

The document following this cover sheet is an imaged document supplied by LANDATA®, Secure Electronic Registries Victoria.

Document Type	Instrument
Document Identification	AG080086M
Number of Pages (excluding this cover sheet)	2
Document Assembled	07/04/2026 11:53

Copyright and disclaimer notice:

© State of Victoria. This publication is copyright. No part may be reproduced by any process except in accordance with the provisions of the Copyright Act 1968 (Cth) and for the purposes of Section 32 of the Sale of Land Act 1962 or pursuant to a written agreement. The information is only valid at the time and in the form obtained from the LANDATA® System. None of the State of Victoria, LANDATA®, Secure Electronic Registries Victoria Pty Ltd (ABN 86 627 986 396) as trustee for the Secure Electronic Registries Victoria Trust (ABN 83 206 746 897) accept responsibility for any subsequent release, publication or reproduction of the information.

The document is invalid if this cover sheet is removed or altered.

Lodged By:
Name: Commonwealth Bank of Australia
Customer Code: 20S



AG080086M

12/09/2008 \$95.10 74

MORTGAGE OF LAND

Reference: 623399409

Privacy Collection Statement:

The information made under this form is collected under statutory authority and is used for the purpose of maintaining publicly searchable registers and indexes in the Victorian Land Registry

The mortgagor mortgages to the mortgagee the estate and interest specified in the land described subject to the encumbrances affecting the land including any created by dealings lodged for registration before the lodging of this mortgage.

The mortgagor covenants with the mortgagee that the provisions of the Memorandum of Common Provisions (MCP) referred to in this mortgage and retained by the Registrar of Titles form part of this mortgage.

Memorandum of Common Provisions:
AA966

Land: (Unique Land Identifier appropriate to the jurisdiction)
Volume 9368 Folio 525 and Volume 9368 Folio 521

Mortgagor: (full name)
Roberta Colosimo

Estate and Interest being mortgaged: (eg "fee simple")
Fee Simple

Mortgagee: (full name and address including postcode)
Commonwealth Bank of Australia ABN 48 123 123 124
385 Bourke Street, Melbourne 3000

COVENANTS:

Where a MCP is incorporated into this mortgage, the mortgagor acknowledges that they received, read and understood a copy of the MCP before signing this mortgage.

The mortgagor covenants with the mortgagee as follows:

1. A reference to "this mortgage" in this cover sheet, in any annexure to this cover sheet or in the MCP specified in the first page of this cover sheet is a reference to the mortgage constituted by this cover sheet, each annexure to this cover sheet and that MCP. You (the mortgagor) agree to keep to the provisions in the MCP.
2. You acknowledge giving this mortgage and incurring obligations and giving rights under it in return for the things we (the mortgagee) do when we enter into a Secured Agreement.
3. The mortgage includes not only the land but all of The Property as defined in the MCP.
4. You warrant that:
 - (a) neither you nor any person on your behalf has sold The Property under a terms contract within the meaning of the Sale of Land Act 1962; and
 - (b) you have told us if you have a tenant in The Property.

AG080086M

12/09/2008 \$95.10 74



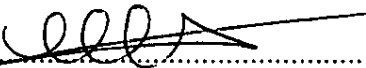
Date:

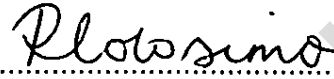
030508

Execution and Attestation:

Signed by:

Signed in my presence


Signature of Witness


Roberta Colosimo
Signature of mortgagor

NICK NIKOLOVSKI 10 EVERETT CRT THOMASTOWN 3074

Full Name & Residential Address of Witness
(BLOCK LETTERS)

Order to Register

Please register and issue CoFT to:

Signed:

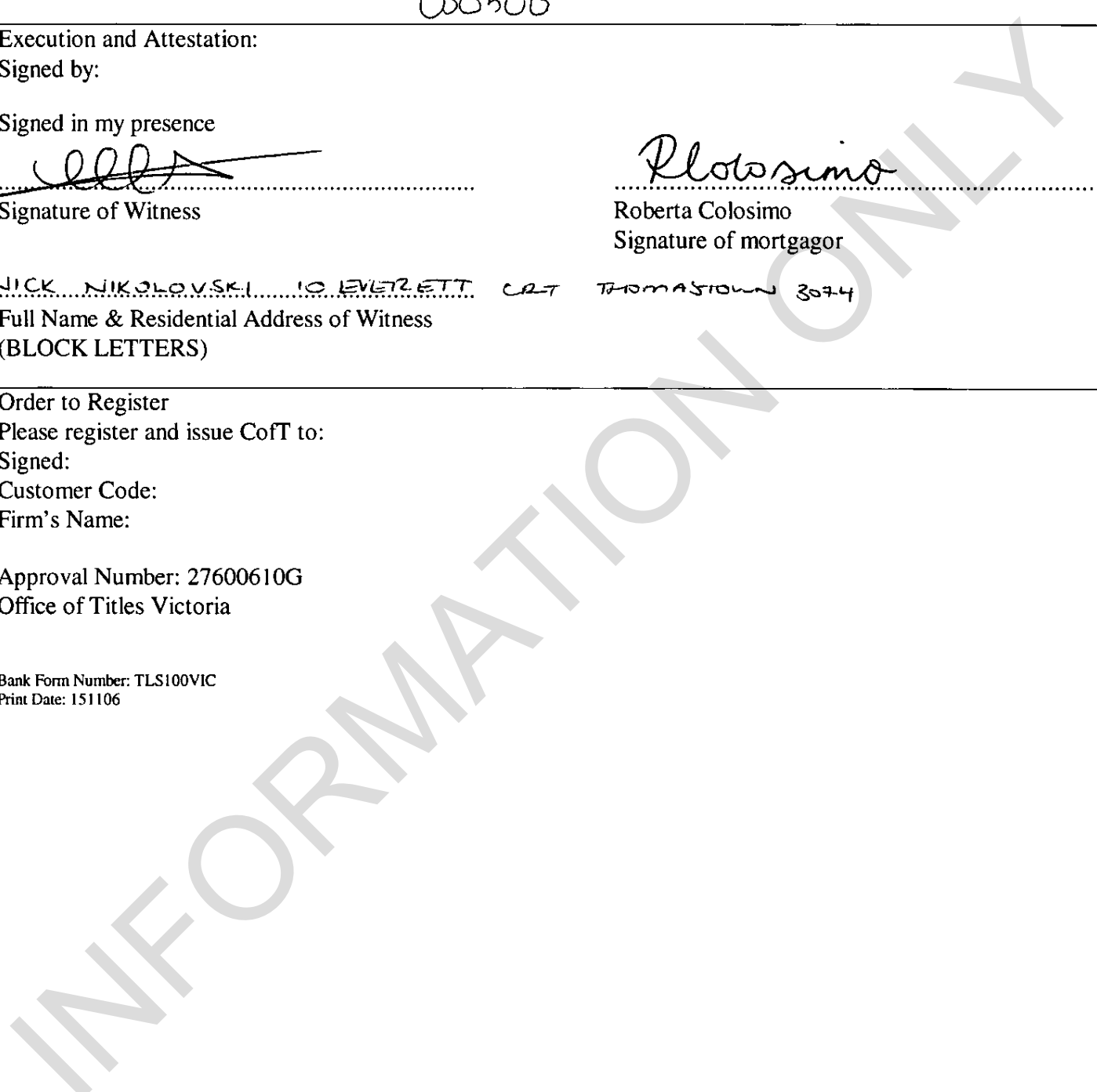
Customer Code:

Firm's Name:

Approval Number: 27600610G

Office of Titles Victoria

Bank Form Number: TLS100VIC
Print Date: 151106





Department of Transport and Planning

Owners Corporation Search Report

Copyright State of Victoria. No part of this publication may be reproduced except as permitted by the Copyright Act 1968 (Cth), to comply with a statutory requirement or pursuant to a written agreement. The information is only valid at the time and in the form obtained from the LANDATA REGD TM System. None of the State of Victoria, its agents or contractors, accepts responsibility for any subsequent publication or reproduction of the information. The Victorian Government acknowledges the Traditional Owners of Victoria and pays respects to their ongoing connection to their Country, History and Culture. The Victorian Government extends this respect to their Elders, past, present and emerging.

Produced: 07/04/2026 11:48:10 AM

**OWNERS CORPORATION
PLAN NO. RP014693**

The land in RP014693 is affected by 1 Owners Corporation(s)

Land Affected by Owners Corporation:

Common Property, Lots 1 - 8.

Limitations on Owners Corporation:

Unlimited

Postal Address for Services of Notices:

37-39 GEORGE STREET RESERVOIR VIC 3073

RP014693 20/03/1980

Owners Corporation Manager:

NIL

Rules:

Model Rules apply unless a matter is provided for in Owners Corporation Rules. See Section 139(3) Owners Corporation Act 2006

Owners Corporation Rules:

NIL

Additional Owners Corporation Information:

NIL

Notations:

NIL

Entitlement and Liability:

NOTE – Folio References are only provided in a Premium Report.

Land Parcel	Entitlement	Liability
Common Property	0	0
Lot 1	100	100
Lot 2	100	100
Lot 3	100	100
Lot 4	100	100
Lot 5	2	2
Lot 6	2	2



Department of Transport and Planning

Owners Corporation Search Report

Produced: 07/04/2026 11:48:10 AM

**OWNERS CORPORATION
PLAN NO. RP014693**

Entitlement and Liability:

NOTE – Folio References are only provided in a Premium Report.

Land Parcel	Entitlement	Liability
Lot 7	2	2
Lot 8	2	2
Total	408.00	408.00

From 31 December 2007 every Body Corporate is deemed to be an Owners Corporation. Any reference to a Body Corporate in any Plan, Instrument or Folio is to be read as a reference to an Owners Corporation.

Statement End.

Certificate Number: 6113/2025
Darebin Reference Number: 26847.4

Landata Counter Services
GPO BOX 527
MELBOURNE VIC 3001

**LAND INFORMATION CERTIFICATE
SECTION 229 LOCAL GOVERNMENT ACT 1989**

Date of Issue	07-Apr-2026
Assessment Number	26847.4
Applicant Reference	80160465-017-8:126298
Certificate Number	6113/2025
Property Location	3/37-39 George Street RESERVOIR VIC 3073
Property Description	CT-9368/521 Lot 3 RP 14693 AVPCC 121.3 - Conjoined Strata Unit

This Certificate provides information regarding valuations, rates, charges, other moneys owing, and any orders or notices made under the Local Government Act, 1958, Local Government Act 1989 or under a Local Law or by law of the Council and specified flood level by the Council (if any).

This Certificate is not required to include information regarding planning, building, health, land fill, landslips, other flooding information or service easements. Information regarding these matters may be available from the Council or the relevant authority. A fee may be charged for such information.

The level of value date is 1-Jan-2025 and the date of operation of the valuation for this property is 01-July-2025.

Site Value	\$265,000
Capital Improved Value	\$425,000
Net Annual Value	\$21,250

Certificate Number: 6113/2025
Darebin Reference Number: 26847.4

Rates and charges levied for the period 01/07/2025 - 30/06/2026

Council uses Capital Improved Value for rating purposes at the following rate in the \$:

Residential	0.00181084	Residential Vacant Land	0.00543252
Business	0.00316897	Business Vacant Land	0.00724336
Vacant Retail Land	0.00724336	Mixed Use Land	0.00253517

Arrears to 30-Jun-2025	\$0.00
Arrears of Legal Fees	\$0.00
General Rates	\$769.60
Emergency Services Volunteers Fund	\$209.55
Environmental Charge	\$382.10
Interest on Current Rates to Date	\$0.00
Interest on Arrears to Date	\$0.00
Legal Costs	\$0.00
Lees State Government Pension Rebate	\$0.00
Less Council Concession	\$0.00
Less FSPL Rebate	\$0.00
Less Payments	-\$1,021.25
Rates and Charges due:	\$340.00
Special Rates and Charges due:	\$0.00
Total due for property: 3/37-39 George Street RESERVOIR VIC 3073	\$340.00

Pay settlements by:

- BPAY quoting Biller Code: **7831** and reference number **0268474**
To pay \$340.00
- Council's website by Visa or MasterCard visiting darebin.vic.gov.au
Reference number 268474 to pay \$340.00

To obtain a Land Information Certificate update please telephone 03 8470 8880 or email revenue@darebin.vic.gov.au with your certificate number and the property address.

Certificate Number: 6113/2025
Darebin Reference Number: 26847.4

General Information

Interest is charged on payments received after the due dates at a rate of 10% p.a. as set by the *Penalty Interest Rates Act 1983*.

Notice of Acquisitions should be sent to revenue@darebin.vic.gov.au

There are no Monies Owed Under Section 227 Of the *Local Government Act 1989*.

Confirmation of any variation to this certificate will only be given for 90 days after issue date. Payments made by cheque are subject to clearance from the bank.

Information in relation to any designated flood level may be obtained from Yarra Valley Water on Telephone number free call 1800 622 935.

Directions to clear properties under Darebin City Council General Local Law 2007, Part Two, Section 17, may be issued to owners of properties within the Municipality at all times throughout the year. Although there may be no charge shown on this Certificate, it is possible that a property related charge will exist by the settlement date.

This property may not be eligible to receive a Parking Permit for on street parking. Darebin Council introduced a Policy to manage on-street parking that came into effect on 20 December 2004. For properties developed before 2004, the number of permits a property is eligible for varies. Most new developments since then are NOT eligible for parking permits and would need to park on their property, and/or in line with any on-street parking restrictions.

The Policy is subject to Council review from time to time, and Council advises property purchasers to check the Policy. For further information please contact Customer Service on (03) 8470 8888 or visit www.darebin.vic.gov.au to view a copy of Council's Policy.

DISCLAIMER: Council will not be held liable for any verbal advice/update given in relation to this certificate or the property or properties to which this certificate relates.

It is recommended that applicants re-apply to ascertain correct amounts. Legal Charges are subject to variation as Council's Solicitors may advise our office of additional costs after a certificate has been issued.

Vendor Conveyancer note: If the vendor makes a payment after final figures are issued and puts the property in credit, it will be up to the vendor to contact Council to request a refund, this must be done prior to the end of that financial period as any credits from 1 July will be applied against the new year rates and become non-refundable.

Revenue Services
274 Gower Street, Preston Victoria 3072
Postal Address:
PO Box 91, Preston Victoria 3072



Certificate Number: 6113/2025
Darebin Reference Number: 26847.4

IMPORTANT INFORMATION RELATING TO THIS PROPERTY

I hereby certify that as at the date of this certificate the information given is a correct disclosure of the rates, other monies, and interest payable to Darebin City Council, together with details of any Notices or Orders on the land pursuant to the Local Government Acts and Local Laws.

Received the sum of \$30.60 being the fee for this certificate.

A handwritten signature in black ink, appearing to read "Yvonne Condello".

Yvonne Condello
REVENUE SERVICES COORDINATOR

INFORMATION ONLY

7th April 2026

Melbourne Real Estate Conveyancing C/- InfoTrack (
LANDATA

Dear Melbourne Real Estate Conveyancing C/- InfoTrack (,

RE: Application for Water Information Statement

Property Address:	3/37-39 GEORGE STREET RESERVOIR 3073
Applicant	Melbourne Real Estate Conveyancing C/- InfoTrack (LANDATA
Information Statement	31024737
Conveyancing Account Number	7959580000
Your Reference	396012

Thank you for your recent application for a Water Information Statement (WIS). We are pleased to provide you the WIS for the above property address. This statement includes:

- Yarra Valley Water Property Information Statement
- Melbourne Water Property Information Statement
- Asset Plan
- Rates Certificate

If you have any questions about Yarra Valley Water information provided, please phone us on **1300 304 688** or email us at the address propertyflow@yvw.com.au. For further information you can also refer to the Yarra Valley Water website at www.yvw.com.au.

Yours sincerely,



Lisa Anelli
GENERAL MANAGER
RETAIL SERVICES

Yarra Valley Water Property Information Statement

Property Address	3/37-39 GEORGE STREET RESERVOIR 3073
------------------	--------------------------------------

STATEMENT UNDER SECTION 158 WATER ACT 1989

THE FOLLOWING INFORMATION RELATES TO SECTION 158(3)

Existing sewer mains will be shown on the Asset Plan.

THE FOLLOWING INFORMATION RELATES TO SECTION 158(4)

This Property is a part of a development that is serviced by private water and/or sewer infrastructure. This infrastructure (or pipeline) is known as a private extension and may extend some distance in length from your property before connecting to Yarra Valley Water infrastructure. Any maintenance or supply issues associated with the private extension are the responsibility of the property owners. Yarra Valley Water is responsible for maintaining the water service from the water main up to and including the development main meter or manifold, and the sewer service from the sewer main up to the sewer branch including the inspection shaft /27 A.

Where the property is serviced through a private fire service the property owner is fully responsible for the maintenance of this service including the isolating valve connected to our water main.

Yarra Valley Water does not guarantee the continuity of service or supply, water quality or water pressure within the private extension.

Please note: Unless prior consent has been obtained, the Water Act prohibits:

1. The erection and/or placement of any building, wall, bridge, fence, embankment, filling, material, machinery or other structure over or under any sewer or drain.
2. The connection of any drain or sewer to, or interference with, any sewer, drain or watercourse.

Melbourne Water Property Information Statement

Property Address	3/37-39 GEORGE STREET RESERVOIR 3073
------------------	--------------------------------------

STATEMENT UNDER SECTION 158 WATER ACT 1989

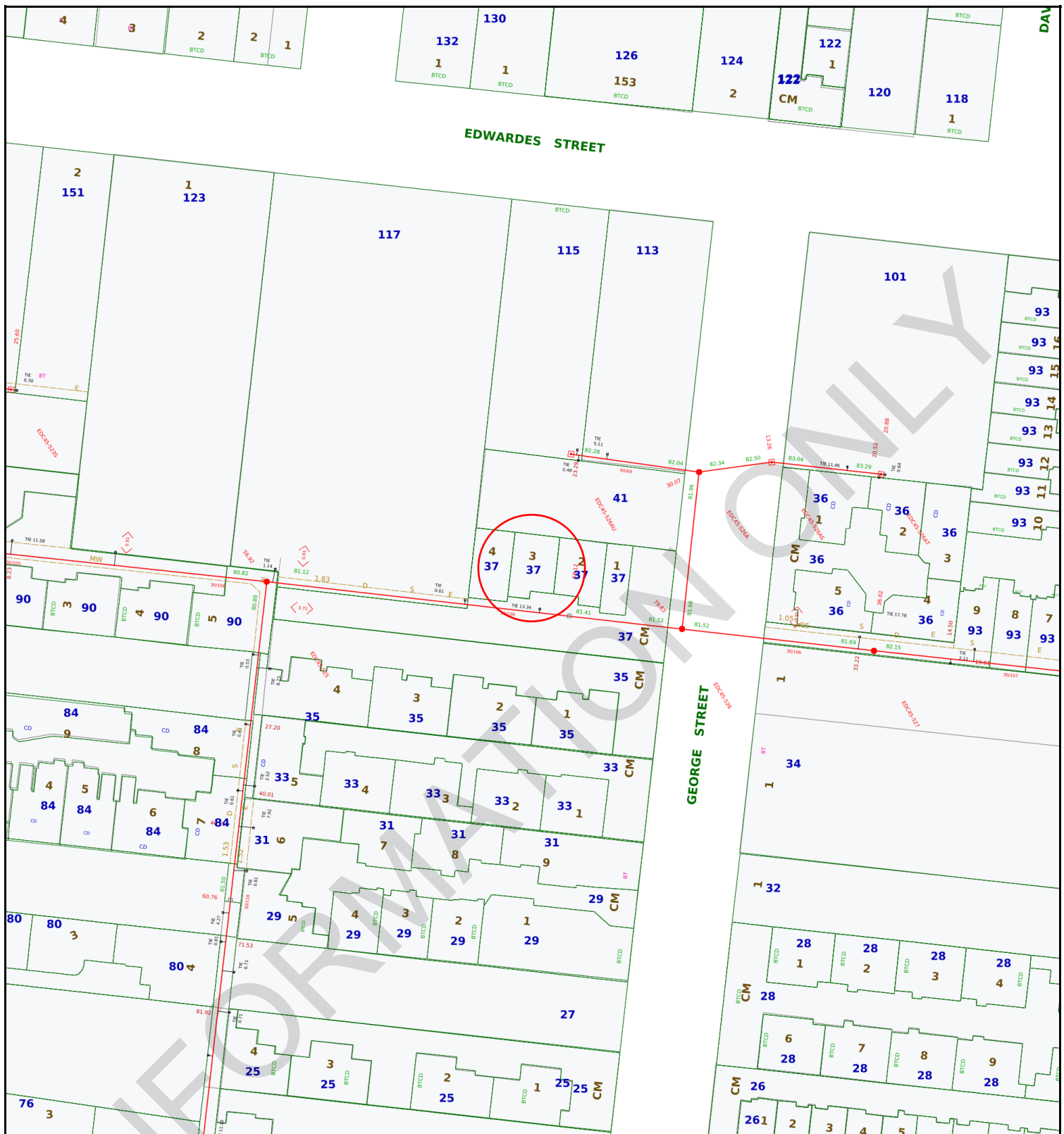
THE FOLLOWING INFORMATION RELATES TO SECTION 158(4)

Information available at Melbourne Water indicates that this property is not subject to flooding from Melbourne Water's drainage system, based on a flood level that has a probability of occurrence of 1% in any one year.

Please note: Unless prior consent has been obtained, the Water Act prohibits:

1. The erection and/or placement of any building, wall, bridge, fence, embankment, filling, material, machinery or other structure over or under any sewer or drain.
2. The connection of any drain or sewer to, or interference with, any sewer, drain or watercourse.

If you have any questions regarding Melbourne Water encumbrances or advisory information, please contact Melbourne Water on 9679 7517.








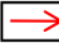


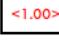


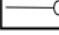
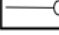


**Yarra Valley Water
Information Statement
Number: 31024737**

Address	3/37-39 GEORGE STREET RESERVOIR 3073
Date	07/04/2026
Scale	1:1000



Yarra Valley Water
ABN 93 066 902 501

Existing Title	 Access Point Number	 GLV2-42	MW Drainage Channel Centreline		
Proposed Title	 Sewer Manhole		MW Drainage Underground Centreline		
Easement	 Sewer Pipe Flow		MW Drainage Manhole		
Existing Sewer	 Sewer Offset		<1.00>	MW Drainage Natural Waterway	
Abandoned Sewer	 Sewer Branch				

Disclaimer: This information is supplied on the basis Yarra Valley Water Ltd:
 - Does not warrant the accuracy or completeness of the information supplied, including, without limitation, the location of Water and Sewer Assets;
 - Does not accept any liability for loss or damage of any nature, suffered or incurred by the recipient or any other persons relying on this information;
 - Recommends recipients and other persons using this information make their own site investigations and accommodate their works accordingly;

Melbourne Real Estate Conveyancing C/- InfoTrack (LANDATA)
certificates@landata.vic.gov.au

RATES CERTIFICATE

Account No: 8520270000
Rate Certificate No: 31024737

Date of Issue: 07/04/2026
Your Ref: 396012

With reference to your request for details regarding:

Property Address	Lot & Plan	Property Number	Property Type
UNIT 3/37-39 GEORGE ST, RESERVOIR VIC 3073	3\RP14693	1136471	Residential

Agreement Type	Period	Charges	Outstanding
Residential Water Service Charge	01-04-2026 to 30-06-2026	\$21.04	\$21.04
Residential Water and Sewer Usage Charge <i>Step 1 – 25.500000kL x \$3.57240000 = \$91.10</i> Estimated Average Daily Usage \$0.97	09-12-2025 to 13-03-2026	\$91.10	\$0.00
Residential Sewer Service Charge	01-04-2026 to 30-06-2026	\$121.26	\$121.26
Parks Fee	01-04-2026 to 30-06-2026	\$22.39	\$22.39
Drainage Fee	01-04-2026 to 30-06-2026	\$31.16	\$31.16
Other Charges:			
Interest	No interest applicable at this time		
	No further charges applicable to this property		
	Balance Brought Forward		\$0.00
	Total for This Property		\$195.85



GENERAL MANAGER
RETAIL SERVICES

Note:

- From 1 July 2023, the Parks Fee has been charged quarterly instead of annually.
- From 1 July 2023, for properties that have water and sewer services, the Residential Water and Sewer Usage charge replaces the Residential Water Usage and Residential Sewer Usage charges.
- This statement details all tariffs, charges, and penalties due and payable to Yarra Valley Water as of the date of this statement and includes tariffs and charges (other than for usage charges yet to be billed) which are due and payable to the end of the current financial quarter.
- All outstanding debts are due to be paid to Yarra Valley Water at settlement. Any debts that are unpaid at

settlement will carry over onto the purchaser's first quarterly account and follow normal credit and collection activities - pursuant to section 275 of the Water Act 1989.

5. If the total due displays a (-\$ cr), this means the account is in credit. Credit amounts will be transferred to the purchaser's account at settlement.

6. Yarra Valley Water provides information in this Rates Certificate relating to waterways and drainage as an agent for Melbourne Water and relating to parks as an agent for Parks Victoria - pursuant to section 158 of the Water Act 1989.

7. The charges on this rates certificate are calculated and valid at the date of issue. To obtain up-to-date financial information, please order a Rates Settlement Statement prior to settlement.

8. From 01/07/2025, Residential Water Usage is billed using the following step pricing system: 266.61 cents per kilolitre for the first 44 kilolitres; 340.78 cents per kilolitre for 44-88 kilolitres and 504.86 cents per kilolitre for anything more than 88 kilolitres. From 1 July 2023, this charge is applicable for properties with water service only.

9. From 01/07/2025, Residential Water and Sewer Usage is billed using the following step pricing system: 357.24 cents per kilolitre for the first 44 kilolitres; 468.71 cents per kilolitre for 44-88 kilolitres and 544.56 cents per kilolitre for anything more than 88 kilolitres. From 1 July 2023, this charge is applicable for residential properties with both water and sewer services.

10. From 01/07/2025, Residential Recycled Water Usage is billed 196.81 cents per kilolitre.

11. From 01/07/2022 up to 30/06/2023, Residential Sewer Usage was calculated using the following equation: Water Usage (kl) x Seasonal Factor x Discharge Factor x Price (/kl) 1.1540 per kilolitre. From 1 July 2023, this charge will no longer be applicable for residential customers with both water and sewer services.

12. The property is a serviced property with respect to all the services, for which charges are listed in the Statement of Fees above.

INFORMATION

To ensure you accurately adjust the settlement amount, we strongly recommend you book a **Special Meter Reading**:

- Special Meter Readings ensure that actual water use is adjusted for at settlement.
- Without a Special Meter Reading, there is a risk your client's settlement adjustment may not be correct.

Property No: 1136471

Address: UNIT 3/37-39 GEORGE ST, RESERVOIR VIC 3073

Water Information Statement Number: 31024737

HOW TO PAY



Biller Code: 314567
Ref: 85202700000

**Amount
Paid**

**Date
Paid**

**Receipt
Number**

Property Clearance Certificate

Land Tax



INFOTRACK / MELBOURNE REAL ESTATE CONVEYANCING

Your Reference:	26/4343VS
Certificate No:	98546181
Issue Date:	07 APR 2026
Enquiries:	ESYSPROD

Land Address: UNIT 3, 37 -39 GEORGE STREET RESERVOIR VIC 3073

Land Id	Lot	Plan	Volume	Folio	Tax Payable
12409466	3	14693	9368	521	\$1,109.80

Vendor: ROBERTA COLOSIMO
Purchaser: FOR INFORMATION PURPOSES

Current Land Tax	Year Taxable Value (SV)	Proportional Tax	Penalty/Interest	Total	
ROBERTA COLOSIMO	2026	\$265,000	\$1,109.80	\$0.00	\$1,109.80

Comments: Land Tax will be payable but is not yet due - please see notes on reverse.


Current Vacant Residential Land Tax	Year Taxable Value (CIV)	Tax Liability	Penalty/Interest	Total
-------------------------------------	--------------------------	---------------	------------------	-------

Comments:

Arrears of Land Tax	Year	Proportional Tax	Penalty/Interest	Total
---------------------	------	------------------	------------------	-------

Arrears of Vacant Residential Land Tax	Year	Proportional Tax	Penalty/Interest	Total
--	------	------------------	------------------	-------

This certificate is subject to the notes that appear on the reverse. The applicant should read these notes carefully.


Paul Broderick
Commissioner of State Revenue

CAPITAL IMPROVED VALUE (CIV):	\$425,000
SITE VALUE (SV):	\$265,000
CURRENT LAND TAX AND VACANT RESIDENTIAL LAND TAX CHARGE:	\$1,109.80

Notes to Certificate - Land Tax

Certificate No: 98546181

Power to issue Certificate

1. Pursuant to section 95AA of the *Taxation Administration Act 1997*, the Commissioner of State Revenue must issue a Property Clearance Certificate (Certificate) to an owner, mortgagee or bona fide purchaser of land who makes an application specifying the land for which the Certificate is sought and pays the application fee.

Amount shown on Certificate

2. The Certificate shows any land tax (including Vacant Residential Land Tax, interest and penalty tax) that is due and unpaid on the land described in the Certificate at the date of issue. In addition, it may show:
 - Land tax that has been assessed but is not yet due,
 - Land tax for the current tax year that has not yet been assessed, and
 - Any other information that the Commissioner sees fit to include, such as the amount of land tax applicable to the land on a single holding basis and other debts with respect to the property payable to the Commissioner.

Land tax is a first charge on land

3. Unpaid land tax (including Vacant Residential Land Tax, interest and penalty tax) is a first charge on the land to which it relates. This means it has priority over any other encumbrances on the land, such as a mortgage, and will continue as a charge even if ownership of the land is transferred. Therefore, a purchaser may become liable for any such unpaid land tax.

Information for the purchaser

4. Pursuant to section 96 of the *Land Tax Act 2005*, if a purchaser of the land described in the Certificate has applied for and obtained a certificate, the amount recoverable from the purchaser by the Commissioner cannot exceed the amount set out in the certificate, described as the "Current Land Tax Charge and Vacant Residential Land Tax Charge" overleaf. A purchaser cannot rely on a Certificate obtained by the vendor.

Information for the vendor

5. Despite the issue of a Certificate, the Commissioner may recover a land tax liability from a vendor, including any amount identified on this Certificate.

Apportioning or passing on land tax to a purchaser

6. A vendor is prohibited from apportioning or passing on land tax including vacant residential land tax, interest and penalty tax to a purchaser under a contract of sale of land entered into on or after 1 January 2024, where the purchase price is less than \$10 million (to be indexed annually from 1 January 2025, as set out on the website for Consumer Affairs Victoria).

General information

7. A Certificate showing no liability for the land does not mean that the land is exempt from land tax. It means that there is nothing to pay at the date of the Certificate.
8. An updated Certificate may be requested free of charge via our website, if:
 - The request is within 90 days of the original Certificate's issue date, and
 - There is no change to the parties involved in the transaction for which the Certificate was originally requested.

For Information Only

LAND TAX CALCULATION BASED ON SINGLE OWNERSHIP

Land Tax = \$975.00

Taxable Value = \$265,000

Calculated as \$975 plus (\$265,000 - \$100,000) multiplied by 0.000 cents.

VACANT RESIDENTIAL LAND TAX CALCULATION

Vacant Residential Land Tax = \$4,250.00

Taxable Value = \$425,000

Calculated as \$425,000 multiplied by 1.000%.

Land Tax - Payment Options

BPAY



Billers Code: 5249
Ref: 98546181

Telephone & Internet Banking - BPAY®

Contact your bank or financial institution to make this payment from your cheque, savings, debit or transaction account.

www.bpay.com.au

CARD



Ref: 98546181

Visa or Mastercard

Pay via our website or phone 13 21 61.
A card payment fee applies.

sro.vic.gov.au/paylandtax

Property Clearance Certificate

Commercial and Industrial Property Tax



INFOTRACK / MELBOURNE REAL ESTATE CONVEYANCING

Your Reference: 26/4343VS

Certificate No: 98546181

Issue Date: 07 APR 2026

Enquires: ESYSPROD

Land Address: UNIT 3, 37 -39 GEORGE STREET RESERVOIR VIC 3073

Land Id	Lot	Plan	Volume	Folio	Tax Payable
12409466	3	14693	9368	521	\$0.00

AVPCC	Date of entry into reform	Entry interest	Date land becomes CIPT taxable land	Comment
121.3	N/A	N/A	N/A	The AVPCC allocated to the land is not a qualifying use.

This certificate is subject to the notes found on the reverse of this page. The applicant should read these notes carefully.

Paul Broderick
Commissioner of State Revenue

CAPITAL IMPROVED VALUE:	\$425,000
SITE VALUE:	\$265,000
CURRENT CIPT CHARGE:	\$0.00

Notes to Certificate - Commercial and Industrial Property Tax

Certificate No: 98546181

Power to issue Certificate

1. Pursuant to section 95AA of the *Taxation Administration Act 1997*, the Commissioner of State Revenue must issue a Property Clearance Certificate (Certificate) to an owner, mortgagee or bona fide purchaser of land who makes an application specifying the land for which the Certificate is sought and pays the application fee.

Amount shown on Certificate

2. The Certificate shows any commercial and industrial property tax (including interest and penalty tax) that is due and unpaid on the land described in the Certificate at the date of issue.

Australian Valuation Property Classification Code (AVPCC)

3. The Certificate may show one or more AVPCC in respect of land described in the Certificate. The AVPCC shown on the Certificate is the AVPCC allocated to the land in the most recent of the following valuation(s) of the land under the *Valuation of Land Act 1960*:
 - a general valuation of the land;
 - a supplementary valuation of the land returned after the general valuation.
4. The AVPCC(s) shown in respect of land described on the Certificate can be relevant to determine if the land has a qualifying use, within the meaning given by section 4 of the *Commercial and Industrial Property Tax Reform Act 2024* (CIPT Act). Section 4 of the CIPT Act Land provides that land will have a qualifying use if:
 - the land has been allocated one, or more than one, AVPCC in the latest valuation, all of which are in the range 200-499 and/or 600-699 in the Valuation Best Practice Specifications Guidelines (the requisite range);
 - the land has been allocated more than one AVPCC in the latest valuation, one or more of which are inside the requisite range and one or more of which are outside the requisite range, and the land is used solely or primarily for a use described in an AVPCC in the requisite range; or
 - the land is used solely or primarily as eligible student accommodation, within the meaning of section 3 of the CIPT Act.

Commercial and industrial property tax information

5. If the Commissioner has identified that land described in the Certificate is tax reform scheme land within the meaning given by section 3 of the CIPT Act, the Certificate may show in respect of the land:
 - the date on which the land became tax reform scheme land;
 - whether the entry interest (within the meaning given by section 3 of the Duties Act 2000) in relation to the tax reform scheme land was a 100% interest (a whole interest) or an interest of less than 100% (a partial interest); and
 - the date on which the land will become subject to the commercial and industrial property tax.
6. A Certificate that does not show any of the above information in respect of land described in the Certificate does not mean that the land is not tax reform scheme land. It means that the Commissioner has not identified that the land is tax reform scheme land at the date of issue of the Certificate. The Commissioner may identify that the land is tax reform scheme land after the date of issue of the Certificate.

Change of use of tax reform scheme land

7. Pursuant to section 34 of the CIPT Act, an owner of tax reform scheme land must notify the Commissioner of certain changes of use of tax reform scheme land (or part of the land) including if the actual use of the land changes to a use not described in any AVPCC in the range 200-499 and/or 600-699. The notification

must be given to the Commissioner within 30 days of the change of use.

Commercial and industrial property tax is a first charge on land

8. Commercial and industrial property tax (including any interest and penalty tax) is a first charge on the land to which the commercial and industrial property tax is payable. This means it has priority over any other encumbrances on the land, such as a mortgage, and will continue as a charge even if ownership of the land is transferred. Therefore, a purchaser may become liable for any unpaid commercial and industrial property tax.

Information for the purchaser

9. Pursuant to section 27 of the CIPT Act, if a bona fide purchaser for value of the land described in the Certificate applies for and obtains a Certificate in respect of the land, the maximum amount recoverable from the purchaser is the amount set out in the Certificate. A purchaser cannot rely on a Certificate obtained by the vendor.

Information for the vendor

10. Despite the issue of a Certificate, the Commissioner may recover a commercial and industrial property tax liability from a vendor, including any amount identified on this Certificate.

Passing on commercial and industrial property tax to a purchaser

11. A vendor is prohibited from apportioning or passing on commercial and industrial property tax to a purchaser under a contract of sale of land entered into on or after 1 July 2024 where the purchase price is less than \$10 million (to be indexed annually from 1 January 2025, as set out on the website for Consumer Affairs Victoria).

General information

12. Land enters the tax reform scheme if there is an entry transaction, entry consolidation or entry subdivision in respect of the land (within the meaning given to those terms in the CIPT Act). Land generally enters the reform on the date on which an entry transaction occurs in respect of the land (or the first date on which land from which the subject land was derived (by consolidation or subdivision) entered the reform).
13. The Duties Act includes exemptions from duty, in certain circumstances, for an eligible transaction (such as a transfer) of tax reform scheme land that has a qualifying use on the date of the transaction. The exemptions apply differently based on whether the entry interest in relation to the land was a whole interest or a partial interest. For more information, please refer to www.sro.vic.gov.au/CIPT.
14. A Certificate showing no liability for the land does not mean that the land is exempt from commercial and industrial property tax. It means that there is nothing to pay at the date of the Certificate.
15. An updated Certificate may be requested free of charge via our website, if:
 - the request is within 90 days of the original Certificate's issue date, and
 - there is no change to the parties involved in the transaction for which the Certificate was originally requested.

Property Clearance Certificate

Windfall Gains Tax



INFOTRACK / MELBOURNE REAL ESTATE CONVEYANCING

Your Reference:	26/4343VS
Certificate No:	98546181
Issue Date:	07 APR 2026

Land Address: UNIT 3, 37 -39 GEORGE STREET RESERVOIR VIC 3073

Lot	Plan	Volume	Folio
3	14693	9368	521

Vendor: ROBERTA COLOSIMO
Purchaser: FOR INFORMATION PURPOSES

WGT Property Id	Event ID	Windfall Gains Tax	Deferred Interest	Penalty/Interest	Total
		\$0.00	\$0.00	\$0.00	\$0.00

Comments: No windfall gains tax liability identified.

This certificate is subject to the notes that appear on the reverse. The applicant should read these notes carefully.

CURRENT WINDFALL GAINS TAX CHARGE:
\$0.00

Paul Broderick
Commissioner of State Revenue

INFORMATION ONLY

Notes to Certificate - Windfall Gains Tax

Certificate No: 98546181

Power to issue Certificate

1. Pursuant to section 95AA of the *Taxation Administration Act 1997*, the Commissioner of State Revenue must issue a Property Clearance Certificate (Certificate) to an owner, mortgagee or bona fide purchaser of land who makes an application specifying the land for which the Certificate is sought and pays the application fee.

Amount shown on Certificate

2. The Certificate shows in respect of the land described in the Certificate:
 - Windfall gains tax that is due and unpaid, including any penalty tax and interest
 - Windfall gains tax that is deferred, including any accrued deferral interest
 - Windfall gains tax that has been assessed but is not yet due
 - Windfall gains tax that has not yet been assessed (i.e. a WGT event has occurred that rezones the land but any windfall gains tax on the land is yet to be assessed)
 - Any other information that the Commissioner sees fit to include such as the amount of interest accruing per day in relation to any deferred windfall gains tax.

Windfall gains tax is a first charge on land

3. Pursuant to section 42 of the *Windfall Gains Tax Act 2021*, windfall gains tax, including any accrued interest on a deferral, is a first charge on the land to which it relates. This means it has priority over any other encumbrances on the land, such as a mortgage, and will continue as a charge even if ownership of the land is transferred. Therefore, a purchaser may become liable for any unpaid windfall gains tax.

Information for the purchaser

4. Pursuant to section 42 of the *Windfall Gains Tax Act 2021*, if a bona fide purchaser for value of land applies for and obtains a Certificate in respect of the land, the maximum amount recoverable from the purchaser by the Commissioner is the amount set out in the certificate, described as the "Current Windfall Gains Tax Charge" overleaf.
5. If the certificate states that a windfall gains tax is yet to be assessed, note 4 does not apply.
6. A purchaser cannot rely on a Certificate obtained by the vendor.

Information for the vendor

7. Despite the issue of a Certificate, the Commissioner may recover a windfall gains tax liability from a vendor, including any amount identified on this Certificate.

Passing on windfall gains tax to a purchaser

8. A vendor is prohibited from passing on a windfall gains tax liability to a purchaser where the liability has been assessed under a notice of assessment as at the date of the contract of sale of land or option agreement. This prohibition does not apply to a contract of sale entered into before 1 January 2024, or a contract of sale of land entered into on or after 1 January 2024 pursuant to the exercise of an option granted before 1 January 2024.

General information

9. A Certificate showing no liability for the land does not mean that the land is exempt from windfall gains tax. It means that there is nothing to pay at the date of the Certificate.
10. An updated Certificate may be requested free of charge via our website, if:
 - The request is within 90 days of the original Certificate's issue date, and
 - There is no change to the parties involved in the transaction for which the Certificate was originally requested.
11. Where a windfall gains tax liability has been deferred, interest accrues daily on the deferred liability. The deferred interest shown overleaf is the amount of interest accrued to the date of issue of the certificate.

Windfall Gains Tax - Payment Options

BPAY



Billers Code: 416073
Ref: 98546187

Telephone & Internet Banking - BPAY®

Contact your bank or financial institution to make this payment from your cheque, savings, debit or transaction account.

www.bpay.com.au

CARD



Ref: 98546187

Visa or Mastercard

Pay via our website or phone 13 21 61.
A card payment fee applies.

sro.vic.gov.au/payment-options

Important payment information

Windfall gains tax payments must be made using only these specific payment references.

Using the incorrect references for the different tax components listed on this property clearance certificate will result in misallocated payments.

ROADS PROPERTY CERTIFICATE

The search results are as follows:

Melbourne Real Estate Conveyancing C/- InfoTrack (LEAP)
135 King St
SYDNEY 2000
AUSTRALIA

Client Reference: 396012

NO PROPOSALS. As at the 7th April 2026, VicRoads has no approved proposals requiring any part of the property described in your application. You are advised to check your local Council planning scheme regarding land use zoning of the property and surrounding area.

This certificate was prepared solely on the basis of the Applicant-supplied address described below, and electronically delivered by LANDATA®.

Unit 3 37-39 GEORGE STREET, RESERVOIR 3073
CITY OF DAREBIN

This certificate is issued in respect of a property identified above. VicRoads expressly disclaim liability for any loss or damage incurred by any person as a result of the Applicant incorrectly identifying the property concerned.

Date of issue: 7th April 2026

[Vicroads Certificate] # 80160465 - 80160465114632 '396012'

PLANNING CERTIFICATE

Official certificate issued under Section 199 Planning & Environment Act 1987
and the Planning and Environment Regulations 2005

CERTIFICATE REFERENCE NUMBER

1242911

APPLICANT'S NAME & ADDRESS

MELBOURNE REAL ESTATE CONVEYANCING C/-
INFOTRACK (LEAP) C/- LANDATA

DOCKLANDS

VENDOR

COLOSIMO, ROBERTA

PURCHASER

NOT KNOWN, NOT KNOWN

REFERENCE

396012

This certificate is issued for:

LOT 3 PLAN RP14693 ALSO KNOWN AS 3/37 - 39 GEORGE STREET RESERVOIR
DAREBIN CITY

The land is covered by the:

DAREBIN PLANNING SCHEME

The Minister for Planning is the responsible authority issuing the Certificate.

The land:

- is included in a GENERAL RESIDENTIAL ZONE - SCHEDULE 2
- is within a DEVELOPMENT CONTRIBUTIONS PLAN OVERLAY - SCHEDULE 1

A detailed definition of the applicable Planning Scheme is available at :
<https://planning-schemes.app.planning.vic.gov.au/darebin>

Historic buildings and land protected under the Heritage Act 1995 are recorded in the Victorian Heritage Register at:

<http://vhd.heritage.vic.gov.au/>

Additional site-specific controls may apply.
The Planning Scheme Ordinance should be checked carefully.

The above information includes all amendments to planning scheme maps placed on public exhibition up to the date of issue of this certificate and which are still the subject of active consideration

Copies of Planning Schemes and Amendments can be inspected at the relevant municipal offices.

LANDATA@
T: (03) 9102 0402
E: landata.enquiries@servictoria.com.au

07 April 2026

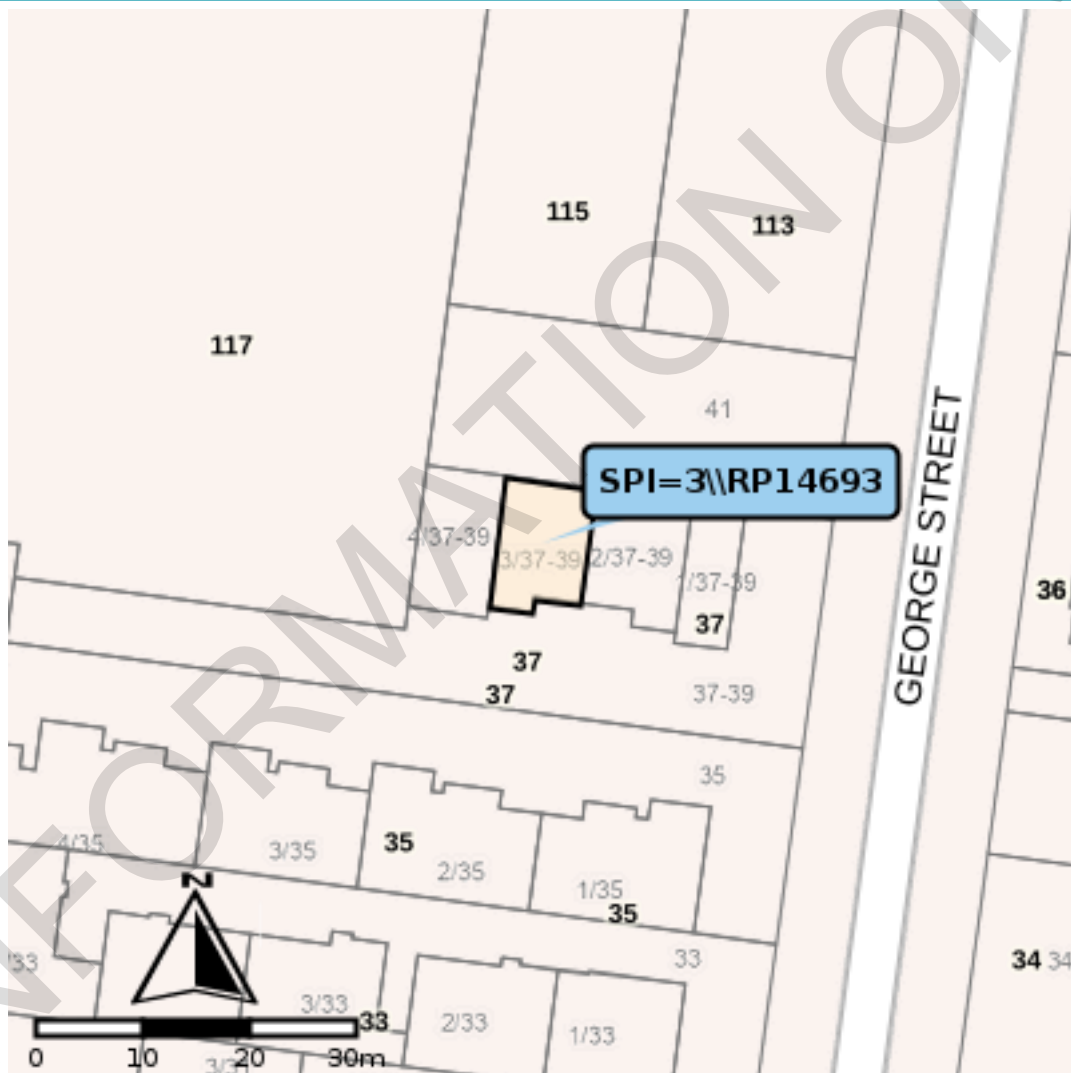
Sonya Kilkenny
Minister for Planning

The attached certificate is issued by the Minister for Planning of the State of Victoria and is protected by statute.

The document has been issued based on the property information you provided. You should check the map below - it highlights the property identified from your information.

If this property is different to the one expected, you can phone (03) 9102 0402 or email landata.enquiries@servictoria.com.au

Please note: The map is for reference purposes only and does not form part of the certificate.



Copyright © State Government of Victoria. Service provided by maps.land.vic.gov.au

Choose the authoritative Planning Certificate

Why rely on anything less?

As part of your section 32 statement, the authoritative Planning Certificate provides you and / or your customer with the statutory protection of the State of Victoria.

Order online before 4pm to receive your authoritative Planning Certificate the same day, in most cases within the hour. Next business day delivery, if further information is required from you.

Privacy Statement

The information obtained from the applicant and used to produce this certificate was collected solely for the purpose of producing this certificate. The personal information on the certificate has been provided by the applicant and has not been verified by LANDATA®. The property information on the certificate has been verified by LANDATA®. The zoning information on the certificate is protected by statute. The information on the certificate will be retained by LANDATA® for auditing purposes and will not be released to any third party except as required by law.

PLANNING PROPERTY REPORT



Department
of Transport
and Planning

From www.planning.vic.gov.au at 20 April 2026 11:11 AM

PROPERTY DETAILS

Address: **3/37-39 GEORGE STREET RESERVOIR 3073**
Lot and Plan Number: **Lot 3 RP14693**
Standard Parcel Identifier (SPI): **3\RP14693**
Local Government Area (Council): **DAREBIN**
Council Property Number: **193608**
Planning Scheme: **Darebin**
Directory Reference: **Melway 18 F5**

www.darebin.vic.gov.au

[Planning Scheme - Darebin](#)

UTILITIES

Rural Water Corporation: **Southern Rural Water**
Melbourne Water Retailer: **Yarra Valley Water**
Melbourne Water: **Inside drainage boundary**
Power Distributor: **JEMENA**

STATE ELECTORATES

Legislative Council: **NORTHERN METROPOLITAN**
Legislative Assembly: **PRESTON**

OTHER

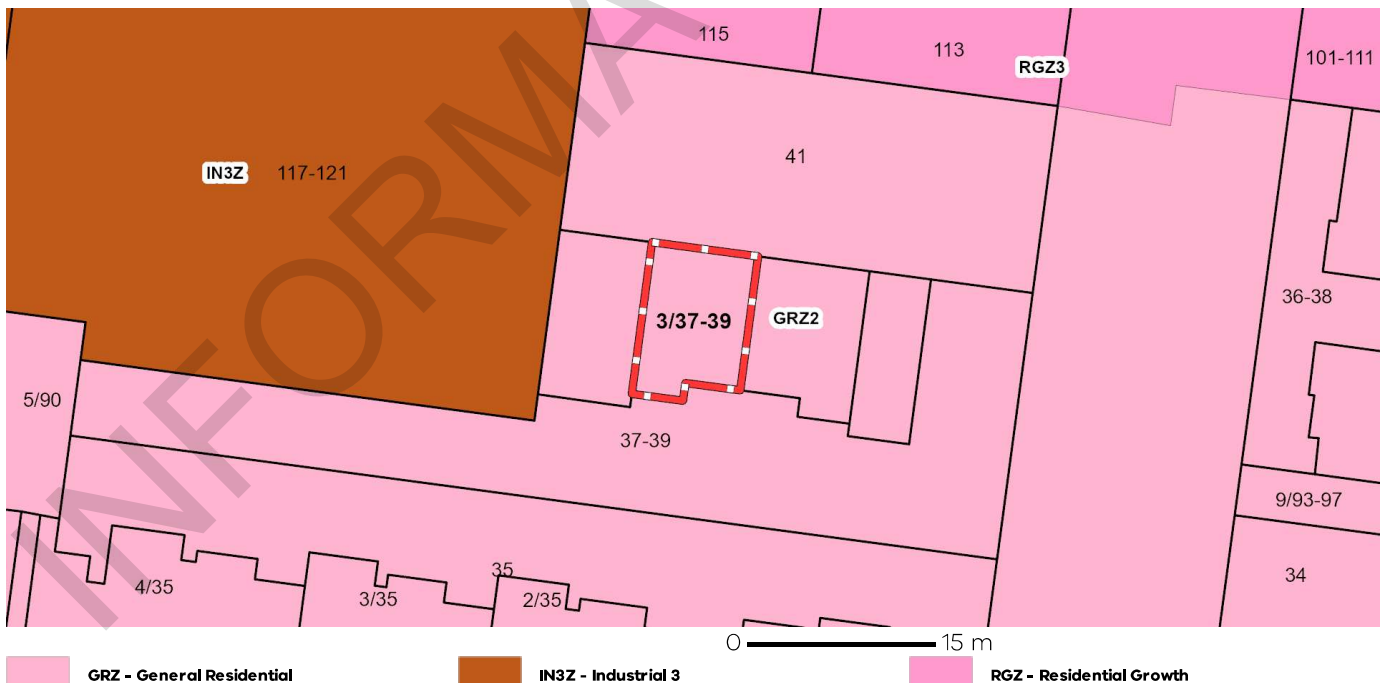
Registered Aboriginal Party: **Wurundjeri Woi Wurrung Cultural
Heritage Aboriginal Corporation**
Fire Authority: **Fire Rescue Victoria**

[View location in VicPlan](#)

Planning Zones

[GENERAL RESIDENTIAL ZONE \(GRZ\)](#)

[GENERAL RESIDENTIAL ZONE - SCHEDULE 2 \(GRZ2\)](#)

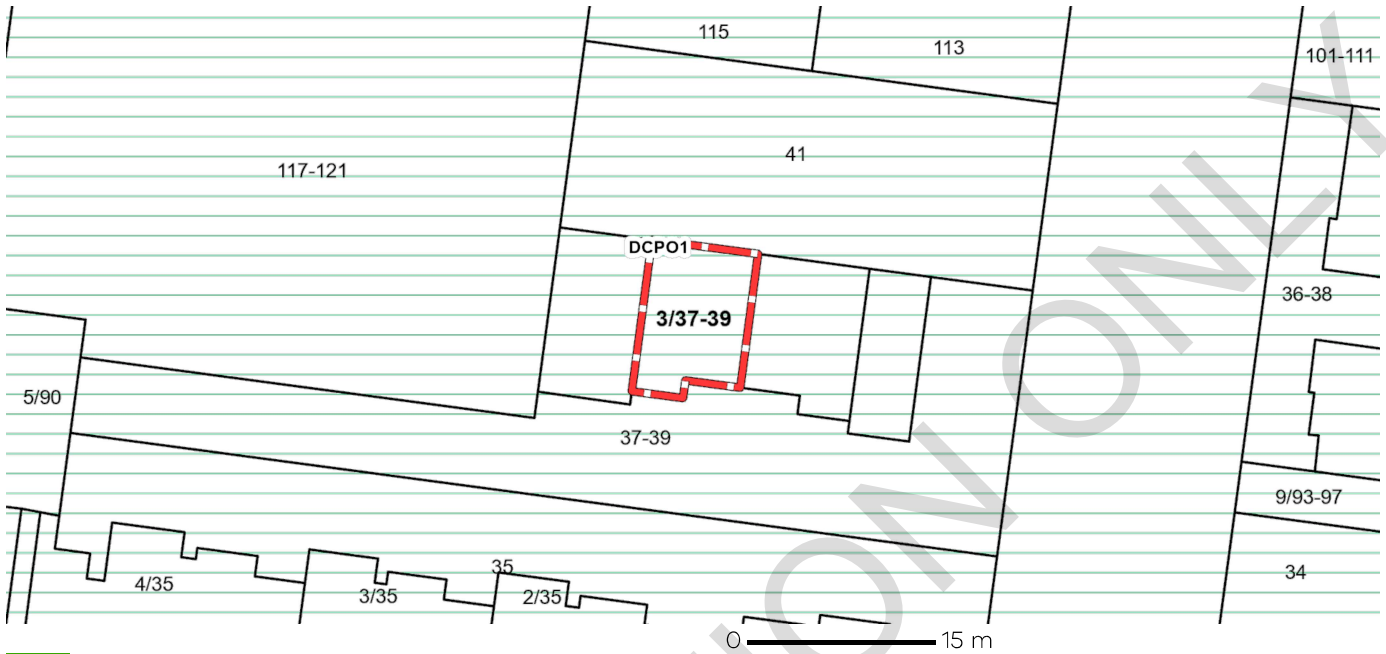


Note: labels for zones may appear outside the actual zone - please compare the labels with the legend.

Planning Overlays

[DEVELOPMENT CONTRIBUTIONS PLAN OVERLAY \(DCPO\)](#)

[DEVELOPMENT CONTRIBUTIONS PLAN OVERLAY - SCHEDULE 1 \(DCPO1\)](#)



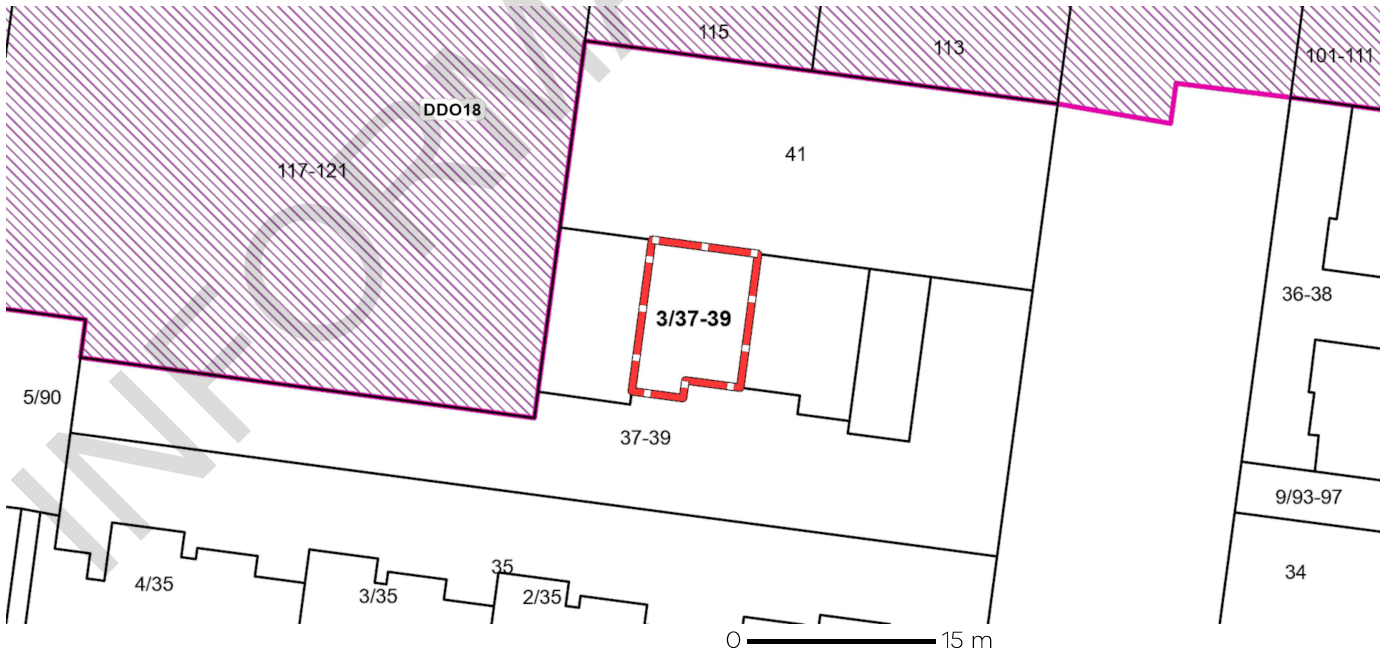
DCPO - Development Contributions Plan Overlay

Note: due to overlaps, some overlays may not be visible, and some colours may not match those in the legend

OTHER OVERLAYS

Other overlays in the vicinity not directly affecting this land

[DESIGN AND DEVELOPMENT OVERLAY \(DDO\)](#)



DDO - Design and Development Overlay

Note: due to overlaps, some overlays may not be visible, and some colours may not match those in the legend

Further Planning Information

Planning scheme data last updated on 9 April 2026.

A **planning scheme** sets out policies and requirements for the use, development and protection of land. This report provides information about the zone and overlay provisions that apply to the selected land. Information about the State and local policy, particular, general and operational provisions of the local planning scheme that may affect the use of this land can be obtained by contacting the local council or by visiting <https://www.planning.vic.gov.au>

This report is NOT a **Planning Certificate** issued pursuant to Section 199 of the **Planning and Environment Act 1987**. It does not include information about exhibited planning scheme amendments, or zonings that may affect the land. To obtain a Planning Certificate go to Titles and Property Certificates at Landata - <https://www.landata.vic.gov.au>

For details of surrounding properties, use this service to get the Reports for properties of interest.

To view planning zones, overlay and heritage information in an interactive format visit <https://mapshare.vic.gov.au/vicplan/>

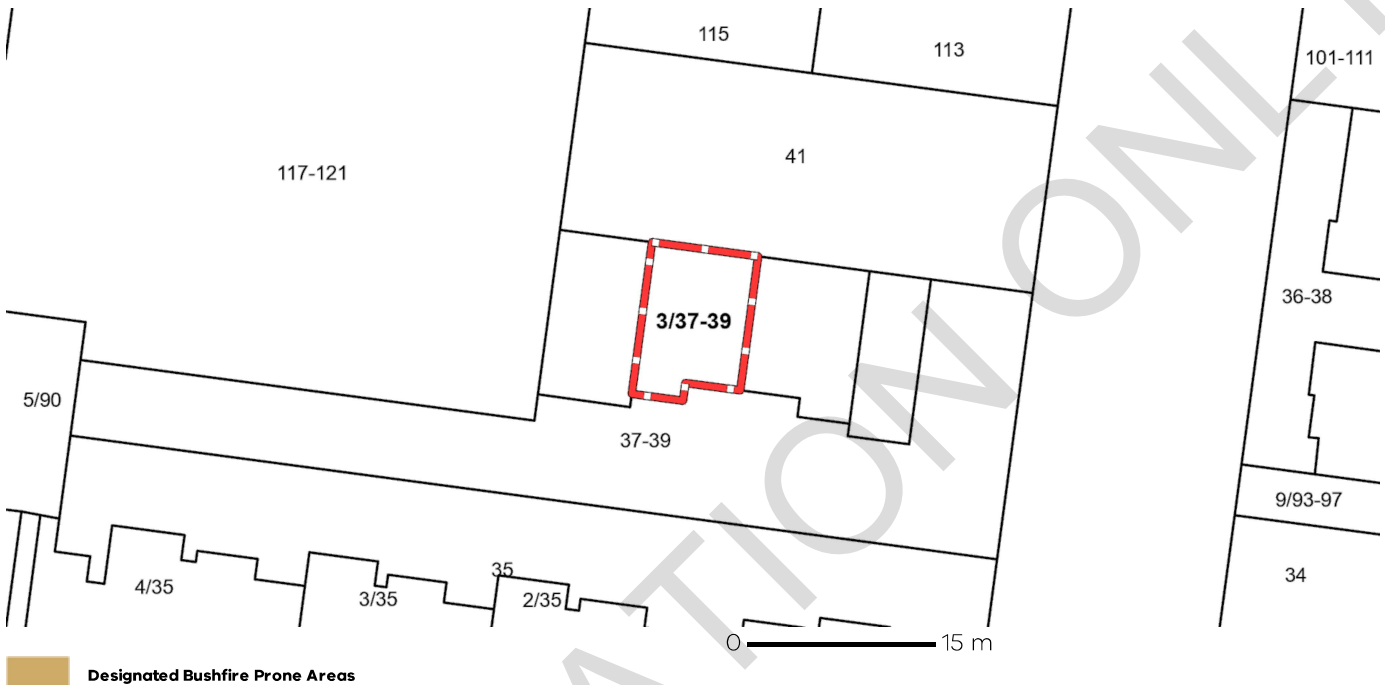
For other information about planning in Victoria visit <https://www.planning.vic.gov.au>

Designated Bushfire Prone Areas

**This property is not in a designated bushfire prone area.
No special bushfire construction requirements apply. Planning provisions may apply.**

Where part of the property is mapped as BPA, if no part of the building envelope or footprint falls within the BPA area, the BPA construction requirements do not apply.

Note: the relevant building surveyor determines the need for compliance with the bushfire construction requirements.



Designated BPA are determined by the Minister for Planning following a detailed review process. The Building Regulations 2018, through adoption of the Building Code of Australia, apply bushfire protection standards for building works in designated BPA.

Designated BPA maps can be viewed on VicPlan at <https://mapshare.vic.gov.au/vicplan/> or at the relevant local council.

Create a BPA definition plan in [VicPlan](#) to measure the BPA.

Information for lot owners building in the BPA is available at <https://www.planning.vic.gov.au>.

Further information about the building control system and building in bushfire prone areas can be found on the Victorian Building Authority website <https://www.vba.vic.gov.au>. Copies of the Building Act and Building Regulations are available from <http://www.legislation.vic.gov.au>. For Planning Scheme Provisions in bushfire areas visit <https://www.planning.vic.gov.au>.

Native Vegetation

Native plants that are indigenous to Victoria and important for biodiversity might be present on this property. This could include trees, shrubs, herbs, grasses or aquatic plants. There are a range of regulations that may apply including need to obtain a planning permit under Clause 52.17 of the local planning scheme. For more information see [Native Vegetation \(Clause 52.17\)](#) with local variations in [Native Vegetation \(Clause 52.17\) Schedule](#)

To help identify native vegetation on this property and the application of Clause 52.17 please visit the Native Vegetation Regulations Map (NVR Map) <https://mapshare.vic.gov.au/nvr/> and [Native vegetation \(environment.vic.gov.au\)](#) or please contact your relevant council.

You can find out more about the natural values on your property through NatureKit [NatureKit \(environment.vic.gov.au\)](#)

PROPERTY REPORT

Created at 20 April 2026 11:11 AM

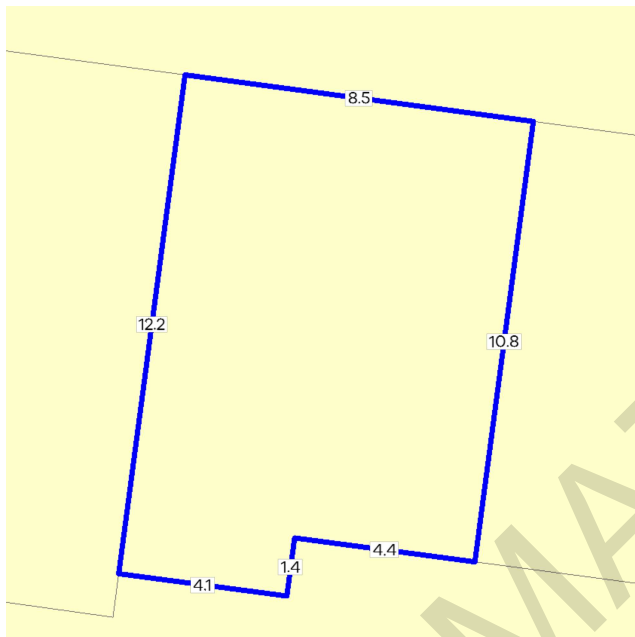
PROPERTY DETAILS

Address: **3/37-39 GEORGE STREET RESERVOIR 3073**
Lot and Plan Number: **Lot 3 RP14693**
Standard Parcel Identifier (SPI): **3\RP14693**
Local Government Area (Council): **DAREBIN**
Council Property Number: **193608**
Directory Reference: **Melway 18 F5**

www.darebin.vic.gov.au

SITE DIMENSIONS

All dimensions and areas are approximate. They may not agree with those shown on a title or plan.



Area: 98 sq. m

Perimeter: 42 m

For this property:

— Site boundaries

— Road frontages

Dimensions for individual parcels require a separate search, but dimensions for individual units are generally not available.

Calculating the area from the dimensions shown may give a different value to the area shown above

For more accurate dimensions get copy of plan at [Title and Property Certificates](#)

UTILITIES

Rural Water Corporation: **Southern Rural Water**
Melbourne Water Retailer: **Yarra Valley Water**
Melbourne Water: **Inside drainage boundary**
Power Distributor: **JEMENA**

STATE ELECTORATES

Legislative Council: **NORTHERN METROPOLITAN**
Legislative Assembly: **PRESTON**

PLANNING INFORMATION

Property Planning details have been removed from the Property Reports to avoid duplication with the Planning Property Reports from the Department of Transport and Planning which are the authoritative source for all Property Planning information.

The Planning Property Report for this property can found here - [Planning Property Report](#)

Planning Property Reports can be found via these two links

Vicplan <https://mapshare.vic.gov.au/vicplan/>

Property and parcel search <https://www.land.vic.gov.au/property-and-parcel-search>

PROPERTY REPORT

Area Map



OWNERS CORPORATION CERTIFICATE*Owners Corporation Act 2006* Section 151, *Owners Corporations Regulations 2018* Regulation 16**Owners Corporation No RP014693****Address: 3/37-39 George Street, Reservoir 3073**

This certificate is issued for	Lot 3 on Plan of Subdivision No: 014693
Postal address is	37-39 George Street Reservoir 3073
Applicant for the certificate is	MELBOURNE REAL ESTATE CONVEYANCING PTY LTD
Address for delivery of certificate is:	954 High Street Reservoir 3073
Date that the application was received:	20 April 2026

IMPORTANT:The information in this certificate is issued on: **20 April 2026**

You can inspect the owners corporation's register for additional information and you should obtain a new certificate for current information prior to settlement.

1.	The current annual fees for the lot annually are: \$750.00
2.	The date which the fees for the lot have been paid up to is – 1/12/2025–30/11/2026.
3.	The total of any unpaid fees or charges for the lot are – Not applicable.
4.	The special fees or levies which have been struck, and the dates on which they were struck and are payable are - Not applicable.
5.	The repairs, maintenance or other work which has been or is about to be performed which may incur additional charges not included in annual fees, maintenance fund or special fees as set out above: Not applicable.
6.	The owners corporation has the following insurance cover: <ul style="list-style-type: none"> • the name of the company: As per attached insurance certificate • policy number: As per attached insurance certificate • type of policy: As per attached insurance certificate • buildings covered: As per attached insurance certificate • building amount: As per attached insurance certificate • public liability amount As per attached insurance certificate • renewal date As per attached insurance certificate
7.	Has the owners corporation resolved that the members may arrange their own insurance under section 63 of the Act? If so then provide the date of that resolution -

	Not applicable.
8.	The total funds held by the owners corporation Not applicable.
9.	Are there any liabilities of the owners corporation that are not covered by annual fees, special levies and repairs and maintenance as set out above? If so, provide details: Not applicable.
10.	Are there any current contracts, leases, licences or agreements affecting the common property? If so, provide details - Not applicable.
11.	Are there any current agreements to provide services to lot owners, occupiers or the public? If so, provide details - Not applicable.
12.	Are there any notices or orders served on the owners corporation in the last 12 months that have not been satisfied? If so, provide details - Not applicable.
13.	Are there any legal proceedings to which the owners corporation is a party and any circumstances of which the owners corporation is aware that are likely to give rise to proceedings? If so, provide details - Not applicable.
14.	Has the owners corporation appointed or resolved to appoint a manager? If so, provide details - Not applicable.
15.	Has an administrator has been appointed for the owners corporation, or has there been a proposal for the appointment of an administrator? Not applicable.
16.	A copy of the minutes of the most recent annual general meeting of the owners corporation. Not applicable.
17.	Documents required to be attached to the owners corporation certificate are: <ul style="list-style-type: none"> • A copy of all resolutions made at the last annual general meeting • A copy of Schedule 3 of the Owners corporations Regulations 2018 entitled "Statement of advice and information for prospective purchasers and lot owners"

DATED the 20 day of April 2026.

This owners corporation certificate was prepared by: **Melbourne Real Estate Conveyancing Pty Ltd**

Postal address	954 High Street Reservoir Vic 3073
----------------	---------------------------------------

(signature)	<p>Signed by: <i>Viola Shan</i> 7C0B750FD5A34A6...</p>
(Print name)	Viola Shan
(name of management company if relevant) as delegate of the owners corporation	Not applicable

ROBERTA COLOSIMO

Lot Owner

Signed by:
ROBERTA COLOSIMO
31BC0945CF40443...

Signature

20/4/2026

Date

INFORMATION ONLY

Statement of advice and information for prospective purchasers and lot owners

Schedule 3, Regulation 17, Owners Corporations Regulations 2018

What is an owners corporation?

The lot you are considering buying is part of an owners corporation. Whenever a plan of subdivision creates common property, an owners corporation is responsible for managing the common property. A purchaser of a lot that is part of an owners corporation automatically becomes a member of the owners corporation when the transfer of that lot to the purchaser has been registered with Land Victoria.

If you buy into an owners corporation, you will be purchasing not only the individual property, but also ownership of, and the right to use, the common property as set out in the plan of subdivision. This common property may include driveways, stairs, paths, passages, lifts, lobbies, common garden areas and other facilities set up for use by owners and occupiers. In order to identify the boundary between the individual lot you are purchasing (for which the owner is solely responsible) and the common property (for which all members of the owners corporation are responsible), you should closely inspect the plan of subdivision.

How are decisions made by an owners corporation?

As an owner, you will be required to make financial contributions to the owners corporation, in particular for the repair, maintenance and management of the common property. Decisions as to the management of this common property will be the subject of collective decision making. Decisions as to these financial contributions, which may involve significant expenditure, will be decided by a vote.

Owners corporation rules

The owners corporation rules may deal with matters such as car parking, noise, pets, the appearance or use of lots, behaviour of owners, occupiers or guests and grievance procedures.

You should look at the owners corporation rules to consider any restrictions imposed by the rules.

Lot entitlement and lot liability

The plan of subdivision will also show your lot entitlement and lot liability. Lot liability represents the share of owners corporation expenses that each lot owner is required to pay.

Lot entitlement is an owner's share of ownership of the common property, which determines voting rights. You should make sure that the allocation of lot liability and entitlement for the lot you are considering buying seems fair and reasonable.

Further information

If you are interested in finding out more about living in an owners corporation, you can contact Consumer Affairs Victoria. If you require further information about the particular owners corporation you are buying into you can inspect that owners corporation's information register.

Management of an owners corporation

An owners corporation may be self-managed by the lot owners or professionally managed by an owners corporation manager. If an owners corporation chooses to appoint a professional manager, it must be a manager registered with the Business Licensing Authority (BLA).

If you are uncertain about any aspect of the owners corporation or the documents you have received from the owners corporation, you should seek expert advice.

MODEL RULES FOR AN OWNERS CORPORATION**1. Health, safety and security****1.1 Health, safety and security of lot owners, occupiers of lots and others**

A lot owner or occupier must not use the lot, or permit it to be used, so as to cause a hazard to the health, safety and security of an owner, occupier, or user of another lot.

1.2 Storage of flammable liquids and other dangerous substances and materials

1. Except with the approval in writing of the owners corporation, an owner or occupier of a lot must not use or store on the lot or on the common property any flammable chemical, liquid or gas or other flammable material.
2. This rule does not apply to -
 - (a) chemicals, liquids, gases or other material used or intended to be used for domestic purposes; or
 - (b) any chemical, liquid, gas or other material in a fuel tank of a motor vehicle or internal combustion engine.

1.3 Waste disposal

An owner or occupier must ensure that the disposal of garbage or waste does not adversely affect the health, hygiene or comfort of the occupiers or users of other lots.

2. Committees and sub-committees**2.1 Functions, powers and reporting of committees and sub-committees**

A committee may appoint members to a sub committee without reference to the owners corporation.

3. Management and administration**3.1 Metering of services and apportionment of costs of services**

1. The owners corporation must not seek payment or reimbursement for a cost or charge from a lot owner or occupier that is more than the amount that the supplier would have charged the lot owner or occupier for the same goods or services.
2. If a supplier has issued an account to the owners corporation, the owners corporation cannot recover from the lot owner or occupier an amount which includes any amount that is able to be claimed as a concession or rebate by or on behalf of the lot owner or occupier from the relevant supplier.
3. Subrule (2) does not apply if the concession or rebate -
 - (a) must be claimed by the lot owner or occupier and the owners corporation has given the lot owner or occupier an opportunity to claim it and the lot owner or occupier has not done so by the payment date set by the relevant supplier; or
 - (b) is paid directly to the lot owner or occupier as a refund.

4. Use of common property**4.1 Use of common property**

1. An owner or occupier of a lot must not obstruct the lawful use and enjoyment of the common property by any other person entitled to use the common property.
2. An owner or occupier of a lot must not, without the written approval of the owners corporation, use for the owner or occupier's own purposes as a garden any portion of the common property.
3. An approval under subrule (2) may state a period for which the approval is granted.
4. If the owners corporation has resolved that an animal is a danger or is causing a nuisance to the common property, it must give reasonable notice of this resolution to the owner or occupier who is keeping the animal.
5. An owner or occupier of a lot who is keeping an animal that is the subject of a notice under subrule (4) must remove that animal.
6. Subrules (4) and (5) do not apply to an animal that assists a person with an impairment or disability.

4.2 Vehicles and parking on common property

An owner or occupier of a lot must not, unless in the case of an emergency, park or leave a motor vehicle or other vehicle or permit a motor vehicle or other vehicle—

- (a) to be parked or left in parking spaces situated on common property and allocated for other lots; or
- (b) on the common property so as to obstruct a driveway, pathway, entrance or exit to a lot; or

- (c) in any place other than a parking area situated on common property specified for that purpose by the owners corporation.

4.3 **Damage to common property**

1. An owner or occupier of a lot must not damage or alter the common property without the written approval of the owners corporation.
2. An owner or occupier of a lot must not damage or alter a structure that forms part of the common property without the written approval of the owners corporation.
3. An approval under subrule (1) or (2) may state a period for which the approval is granted, and may specify the works and conditions to which the approval is subject.
4. An owner or person authorised by an owner may install a locking or safety device to protect the lot against intruders, or a screen or barrier to prevent entry of animals or insects, if the device, screen or barrier is soundly built and is consistent with the colour, style and materials of the building.
5. The owner or person referred to in subrule (4) must keep any device, screen or barrier installed in good order and repair.

5. **Lots**

5.1 **Change of use of lots**

An owner or occupier of a lot must give written notification to the owners corporation if the owner or occupier changes the existing use of the lot in a way that will affect the insurance premiums for the owners corporation.

Example

If the change of use results in a hazardous activity being carried out on the lot, or results in the lot being used for commercial or industrial purposes rather than residential purposes.

5.2 **External appearance of lots**

1. An owner or occupier of a lot must obtain the written approval of the owners corporation before making any changes to the external appearance of their lot.
2. An owners corporation cannot unreasonably withhold approval, but may give approval subject to reasonable conditions to protect quiet enjoyment of other lot owners, structural integrity or the value of other lots and/or common property.

5.3 **Requiring notice to the owners corporation of renovations to lots**

An owner or occupier of a lot must notify the owners corporation when undertaking any renovations or other works that may affect the common property and/or other lot owners' or occupiers' enjoyment of the common property.

6. **Behaviour of persons**

6.1 **Behaviour of owners, occupiers and invitees on common property**

An owner or occupier of a lot must take all reasonable steps to ensure that guests of the owner or occupier do not behave in a manner likely to unreasonably interfere with the peaceful enjoyment of any other person entitled to use the common property.

6.2 **Noise and other nuisance control**

1. An owner or occupier of a lot, or a guest of an owner or occupier, must not unreasonably create any noise likely to interfere with the peaceful enjoyment of any other person entitled to use the common property.
2. Subrule (1) does not apply to the making of a noise if the owners corporation has given written permission for the noise to be made.

7. **Dispute resolution**

1. The grievance procedure set out in this rule applies to disputes involving a lot owner, manager, or an occupier or the owners corporation.
2. The party making the complaint must prepare a written statement in the approved form.
3. If there is a grievance committee of the owners corporation, it must be notified of the dispute by the complainant.
4. If there is no grievance committee, the owners corporation must be notified of any dispute by the complainant, regardless of whether the owners corporation is an immediate party to the dispute.
5. The parties to the dispute must meet and discuss the matter in dispute, along with either the grievance committee or the owners corporation, within 14 working days after the dispute comes to the attention of all the parties.

6. A party to the dispute may appoint a person to act or appear on his or her behalf at the meeting.
7. If the dispute is not resolved, the grievance committee or owners corporation must notify each party of his or her right to take further action under Part 10 of the Owners Corporations Act 2006.
8. This process is separate from and does not limit any further action under Part 10 of the Owners Corporations Act 2006.

INFORMATION ONLY



Level 21, 150 Lonsdale Street
Melbourne VIC 3000

GPO 3208, Melbourne VIC 3001

OWNERS CORPORATION PLAN NO. RP 14693
C/- PAULA SCARSO 7 KALLIS DRIVE
GLENROY VIC 3046

Certificate of Currency

CHU Residential Strata Insurance Plan

Policy No	18499
Policy Wording	CHU RESIDENTIAL STRATA INSURANCE PLAN
Period of Insurance	13/12/2025 to 13/12/2026 at 4:00pm
The Insured	OWNERS CORPORATION PLAN NO. RP 14693
Situation	37-39 GEORGE STREET RESERVOIR VIC 3073

Sections

Section 1 – Insured Property

Building: \$1,346,450
Common Area Contents: \$0
Loss of Rent & Temporary Accommodation (total payable): \$201,967
Lot Owners' Fixtures and Improvements (per lot): \$250,000

Optional Extensions:

Catastrophe Insurance Sum Insured: Not Selected
Machinery Breakdown: Not Selected
Lot Owners' Contents inclusion (per lot): Not Selected

Section 2 – Liability to Others

Sum Insured: \$20,000,000

Section 3 – Voluntary Workers

Death: \$300,000
Total Disablement: \$3,000 per week

Section 4 – Fidelity Guarantee

Sum Insured: \$250,000

Section 5 – Office Bearers' Legal Liability

Sum Insured: \$5,000,000

Section 6 – Government Audit Costs and Legal Expenses

Government Audit Costs: \$25,000
Appeal expenses – common property health & safety breaches: \$100,000
Legal Defence Expenses: \$50,000



Flood Cover is included.

Date Printed

28/11/2025

This certificate confirms this policy is in force for the Period of Insurance shown, subject to the policy terms, conditions and exclusions. It is a summary of cover only (for full details refer to the current policy wording QM562-0725 and schedule). It does not alter, amend or extend the policy. This information is current only at the date of printing.

INFORMATION ONLY



Level 21, 150 Lonsdale Street
Melbourne VIC 3000

GPO 3208, Melbourne VIC 3001

OWNERS CORPORATION PLAN NO. RP 14693
C/- PAULA SCARSO 7 KALLIS DRIVE
GLENROY VIC 3046

Renewal Invitation

CHU Residential Strata Insurance Plan

Policy Number	18499
Quote Version Number	1
Invitation Valid Until	13/12/2025
Policy Wording	CHU RESIDENTIAL STRATA INSURANCE PLAN
The Insured	OWNERS CORPORATION PLAN NO. RP 14693
Situation	37-39 GEORGE STREET RESERVOIR VIC 3073
Policy Period	13/12/2025 to 13/12/2026 at 4:00pm

Sections

Section 1 – Insured Property

Building: \$1,346,450 (*Please note, last year's sum insured has been indexed by 10%.*)
Common Area Contents: \$0
Loss of Rent & Temporary Accommodation (total payable): \$201,967
Lot Owners' Fixtures and Improvements (per lot): \$250,000

Optional Extensions:

Catastrophe Insurance Sum Insured: Not Selected
Machinery Breakdown: Not Selected
Lot Owners' Contents inclusion (per lot): Not Selected

Section 2 – Liability to Others

Sum Insured: \$20,000,000

Section 3 – Voluntary Workers

Death: \$300,000
Total Disablement: \$3,000 per week

Section 4 – Fidelity Guarantee

Sum Insured: \$250,000

Section 5 – Office Bearers' Legal Liability

Sum Insured: \$5,000,000

Section 6 – Government Audit Costs and Legal Expenses

Government Audit Costs: \$25,000
Appeal expenses – common property health & safety breaches: \$100,000
Legal Defence Expenses: \$50,000

Flood Cover is included.

Excesses

Section 1 – Insured Property

Standard: \$2,000

Section 2 – Liability to Others

Other excesses payable are shown in the Policy Wording.

Premium

Base Premium	\$2,061.57
Levies	\$0.00
GST	\$221.16
Stamp Duty	\$226.78
Admin Fee	\$150.00
Total Payable	\$2,659.51

Date of Issue 26/10/2025

Refer to **Important Information** for excess descriptions and confirmation of cover. Please refer to Product Disclosure Statement and Policy Wording QM562-0725.

We confirm our invitation to renew, subject to the following conditions and important information. If you would like to accept this invitation, please refer to your payment options on the Tax Invoice.

Conditions of this Invitation

This renewal invitation is based on the following. If any of these are incorrect, please contact us as it may affect the renewal invitation and the terms and conditions on which we will provide insurance cover.

1. The proposed Insured (either alone or jointly with any other person or entity) has not had any previous insurance declined, renewal refused, cancelled or special terms or conditions applied to any application, renewal or Policy.
2. The renewal invitation has been based on the claims noted in the attached claims history. No claims or incidents have occurred to your knowledge or the knowledge of the insured that have not yet been notified to us.
3. No changes to the Description of Occupancies have occurred since your quotation request.

The Building Sum Insured (BSI) amount is based on the previous year's sum insured and may have an allowance added to help keep pace with inflation. Please be sure to review the BSI to ensure it meets your client's instructions and/or recent valuation.

Important Information

Your duty when you renew your policy

This document sets out the information we hold about you, your property and your policy.

By law, you must take reasonable care not to make a misrepresentation. This means before renewal, you must review this information and tell us if anything is wrong or if there have been any changes. Some types of changes may impact our offer of renewal terms.

If we do not hear from you and you renew your policy, this means you agree that the information you have previously provided to us is correct and that nothing has changed.

If you do not tell us about anything that has changed, or if any of the information is misleading, incomplete, inaccurate or fraudulent we may reduce or not pay a claim, cancel your policy or treat it as if it never existed.

If anything is unclear, please contact us.

Excesses – explanatory notes

Whenever an Excess and amount is shown in the Schedule or Policy Wording, You must pay or contribute the stated amount for each claim You make against the Insured Event.

Water Damage Excess

The following Excess will apply to Section 1 – Insured Property for loss or damage caused by:

- a. Damage from bursting, leaking, discharging or overflowing of tanks, apparatus or pipes
- b. Rainwater

The additional Excess payable will be shown on Your Policy Schedule.

Other excesses apply. These are listed on your Policy Schedule or described in the Policy Wording.

CHU is committed to being a carbon neutral company

If you are still receiving this renewal invitation by post, we will no longer be including the Product Disclosure Statement (PDS) in the renewal pack. A copy of the PDS is available via our website www.chu.com.au. If you require any further assistance please call us on 1300 361 263.



OWNERS CORPORATION PLAN NO. RP 14693
C/- PAULA SCARSO 7 KALLIS DRIVE
GLENROY VIC 3046

Tax Invoice - CHU Residential Strata Insurance

Date of Issue 26/10/2025

Policy Number 18499-1

Thank you for choosing CHU.

OWNERS CORPORATION PLAN NO. RP 14693
37-39 GEORGE STREET RESERVOIR VIC 3073

Premium Summary

Base Premium	\$2,061.57
Levies	\$0.00
GST	\$221.16
Stamp Duty	\$226.78
Admin Fee	\$150.00
Total Payable	\$2,659.51

Due Date 13/12/2025

Please check all documents and review the 'Important Information' in your schedule. If you need to make any changes, please contact us on the email address above.

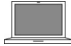






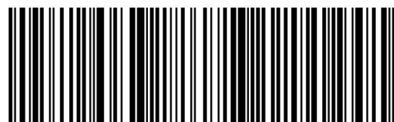
DEFT
PAYMENT SYSTEMS

Payment Slip

Pay from your registered credit card or bank account at deft.com.au.
^Register at deft.com.au or by calling 1800 672 162. Registration is NOT required for one off credit card payments.



 <p>EFT / Direct Deposit Macquarie Bank BSB 182-222 Account No 3019 2696 0 Payment Reference No 3640560</p>	 <p>Biller Code 667154 BPAY Reference 3019 2696 0364 0560 3</p> <p>Contact your financial institution to make a BPAY payment from your cheque or savings account.</p>
 <p>Post Office Pay in person at any Australia Post Office, using Cheque or EFTPOS.</p>	 <p>DEFT Reference Number 3019 2696 0364 0560 3 Pay by credit card at www.deft.com.au. Payments by credit card may attract a surcharge.</p> 



*453 301926960 36405603

Premium Due
\$2,659.51



OWNERS CORPORATION PLAN NO. RP 14693
C/- PAULA SCARSO 7 KALLIS DRIVE
GLENROY VIC 3046

Renewal Comparison to Last Year's Premium CHU Residential Strata Insurance Plan

Policy Number 18499
Policy Period 13/12/2025 to 13/12/2026 at 4:00pm

About your premium comparison

This page provides a comparison of the total premium you paid on your policy last year with the premium we're offering you this year.

Your renewal comparison

	*Last year	This year
Policy Number	18499	18499
Base Premium (including savings)	\$1,915.33	\$2,061.57
Levies	\$0.00	\$0.00
Goods and Services Tax	\$206.56	\$221.16
Stamp Duty	\$210.70	\$226.78
Admin Fee	\$150.00	\$150.00
Total Payable	\$2,482.59	\$2,659.51

Last year's premium represents the amount you were charged for your insurance policy at the commencement of the last policy term, including any variations and endorsements during the policy period. It does not include any intermediary fees.

*"Last year" refers to the duration of your previous period, whether it was originally full year or short term.



Premiums and pricing

Premiums are regularly reviewed and take into account a number of risk factors such as location and construction, claims history, type of cover selected and indexation of sum insureds. We also factor in business expenses including operating and reinsurance costs.

If you would like further information

Contact us in the first instance if you have questions about your policy.

INFORMATION ONLY

Owners corporation fee notice

Owners Corporations Act 2006 Section 31, Owners Corporations Regulations 2007 and Owners Corporation Rules

Date of notice	06/10/2025
----------------	------------

Invoice

From:

Name	Paula Scarso – The Secretary
Owners corporation plan number	14693
ABN	59284057186
Contact details (name of manager if applicable or contact person)	Paula Scarso
Address	7 Kallis Drive, Glenroy .Victoria 3046
Telephone number	0407 567 556
Email Address (if applicable)	p.scarso@outlook.com

To the lot owner/s:

Name/s	Roberta Colosimo
Lot number	3
Lot address	37-39 George St,
Suburb	Reservoir
State	Victoria
Postcode	3073
Postal address of lot owner(s)/occupier(s)/manager (if different from above)	

The following fees/charges are due

All amounts listed include GST unless otherwise specified

Payment is due within 28 days of the date of this notice or by the due date specified below

Date due	Description of fee/charge/interest/arrears	Amount
01/12/2025	Contributions – 1/12/2025 – 30/11/2026	\$750.00
Total amount payable		\$750.00

Interest

Interest will be charged on any overdue fees/charges at:

Annual interest rate	10.5%
----------------------	-------

The rate of interest has been calculated in accordance with the current rate under the *Penalty Interest Rates Act 1983(Vic)*. This rate is subject to change.

Payment details

Payment methods (how and where to pay)

<p>Account Name: Body Corporate Strata Plan 14693 Bank : NAB Account Number : 56-196-5777 BSB : 083-324 Owners please Email or SMS Remittance to: p.scarso@outlook.com / 0407567556</p>

Important information on fees and charges

This section is part of the fee notice

Enquiries

If you have enquiries on the fees listed in this notice you can contact the owners corporation on the telephone number or at the address listed on the first page of this form.

Disputes

The *Owners Corporations Act 2006* (the Act), Owners Corporations Regulations (the Regulations) and the owners corporation rules (the rules) provide a number of options in dealing with disputes regarding owners corporations, managers, lot owners and occupiers. These are:

- the owners corporation internal dispute resolution process
- conciliation through Consumer Affairs Victoria
- applications to the Victorian Civil and Administrative Tribunal (VCAT).

Internal dispute resolution process

If you believe the manager, a lot owner or occupier has breached their obligations under the Rules, Act, or Regulations, you can try to resolve the problem through the owners corporation internal dispute resolution process.

The internal dispute resolution process is set out in the Rules. Unless the Rules state differently, the following summary applies:

- You can lodge a complaint by completing an 'Owners corporation complaint' form (available from the owners corporation).
- A meeting will be held to discuss the matter with all persons involved in the dispute and representatives of the owners corporation. The meeting must be held within 14 days of all persons being notified of the dispute.
- Persons involved in the dispute will be notified of decisions by the owners corporation.
- If you are not satisfied with the outcome you can contact Consumer Affairs Victoria or VCAT (see below).

Conciliation through Consumer Affairs Victoria

You can contact Consumers Affairs Victoria regarding disputes. There may be times when Consumer Affairs Victoria will advise you to use the internal dispute resolution process if you have not already done so. For more information on complaints or general enquiries call 1300 55 81 81 or visit the [Consumer Affairs Victoria website](http://consumer.vic.gov.au/contact) (consumer.vic.gov.au/contact).

Applications to the Victorian Civil and Administrative Tribunal (VCAT)

For all disputes that affect the owners corporation you can apply directly to the Victorian Civil and Administrative Tribunal (VCAT) to hear your case and make an order. For more information on VCAT applications call 1800 133 055 or visit the [Victorian Civil and Administrative Tribunal website](http://vcat.vic.gov.au) (vcat.vic.gov.au).



DATED

2026

ROBERTA COLOSIMO

CONTRACT OF SALE OF REAL ESTATE

Property: UNIT 3, 37-39 GEORGE STREET, RESERVOIR VIC 3073

MELBOURNE REAL ESTATE CONVEYANCING PTY LTD

Licensed Conveyancer

954 High Street Reservoir Vic 3073

Tel: 9464 6732

Ref: VS:26/4343VS